

Beechcraft Corporation

MODEL 1900C AIRLINER ILLUSTRATED PARTS CATALOG

CH-SECT-UNIT-FIG	PAGE NO.	DATE	CH-SECT-UNIT-FIG	PAGE NO.	DATE
52 - CONTENTS	1	AUG 01/19	52-11-00-05	6	AUG 01/19
52-10-00-05	0	AUG 01/19	52-11-00-05	7	AUG 01/19
52-10-00-05	0A	AUG 01/19	52-11-00-05	8	AUG 01/19
52-10-00-05	0B	AUG 01/19	52-11-00-05	9	AUG 01/19
52-10-00-05	1	AUG 01/19	52-11-00-05	10	AUG 01/19
52-10-00-05	2	AUG 01/19	52-11-00-05	11	AUG 01/19
52-10-00-05	3	AUG 01/19	52-11-00-05	12	AUG 01/19
52-10-00-05	4	AUG 01/19	52-11-00-05	13	AUG 01/19
52-10-00-05	5	AUG 01/19	52-11-00-05	14	AUG 01/19
52-10-00-05	6	AUG 01/19	52-11-00-05	15	AUG 01/19
* 52-10-00-06	0	AUG 01/19	52-11-00-05	16	AUG 01/19
* 52-10-00-06	0A	AUG 01/19	52-11-00-06	0	AUG 01/19
* 52-10-00-06	0B	AUG 01/19	52-11-00-06	1	AUG 01/19
* 52-10-00-06	0C	AUG 01/19	52-11-00-06	2	AUG 01/19
* 52-10-00-06	0D	AUG 01/19	52-11-00-06	3	AUG 01/19
* 52-10-00-06	0E	AUG 01/19	52-20-00-02	0	AUG 01/19
* 52-10-00-06	1	AUG 01/19	52-20-00-02	0A	AUG 01/19
* 52-10-00-06	2	AUG 01/19	52-20-00-02	0B	AUG 01/19
* 52-10-00-06	3	AUG 01/19	52-20-00-02	1	AUG 01/19
* 52-10-00-06	4	AUG 01/19	52-20-00-02	2	AUG 01/19
* 52-10-00-06	5	AUG 01/19	52-20-00-02	3	AUG 01/19
* 52-10-00-06	6	AUG 01/19	52-20-00-02	4	AUG 01/19
* 52-10-00-06	7	AUG 01/19	52-20-00-02	0	AUG 01/19
* 52-10-00-06	8	AUG 01/19	52-30-00-02	0A	AUG 01/19
* 52-10-00-06	9	AUG 01/19	52-30-00-02	0B	AUG 01/19
* 52-10-00-06	10	AUG 01/19	52-30-00-02	1	AUG 01/19
* 52-10-00-06	11	AUG 01/19	52-30-00-02	2	AUG 01/19
52-10-00-07	0	AUG 01/19	52-30-00-02	3	AUG 01/19
52-10-00-07	1	AUG 01/19	52-30-00-02	4	AUG 01/19
52-10-00-07	2	AUG 01/19	52-40-00-03	0	AUG 01/19
52-10-00-07	3	AUG 01/19	52-40-00-03	0A	AUG 01/19
52-10-00-08	0	AUG 01/19	52-40-00-03	0B	AUG 01/19
52-10-00-08	1	AUG 01/19	52-40-00-03	1	AUG 01/19
52-10-00-08	2	AUG 01/19	52-40-00-03	2	AUG 01/19
52-10-00-08	3	AUG 01/19	52-40-00-06	0	AUG 01/19
52-11-00-04	0	AUG 01/19	52-40-00-06	1	AUG 01/19
52-11-00-04	0A	AUG 01/19	52-40-00-06	2	AUG 01/19
52-11-00-04	1	AUG 01/19	52-70-00-05	0	AUG 01/19
52-11-00-05	0	AUG 01/19	52-70-00-05	0A	AUG 01/19
52-11-00-05	0A	AUG 01/19	52-70-00-05	1	AUG 01/19
52-11-00-05	0B	AUG 01/19	52-70-00-05	2	AUG 01/19
52-11-00-05	0C	AUG 01/19	52-70-00-06	0	AUG 01/19
52-11-00-05	0D	AUG 01/19	52-70-00-06	1	AUG 01/19
52-11-00-05	0E	AUG 01/19	52-70-00-06	2	AUG 01/19
52-11-00-05	0F	AUG 01/19	52-70-00-07	0	AUG 01/19
52-11-00-05	0G	AUG 01/19	52-70-00-07	1	AUG 01/19
52-11-00-05	0H	AUG 01/19	52-70-00-07	2	AUG 01/19
52-11-00-05	1	AUG 01/19			
52-11-00-05	2	AUG 01/19			
52-11-00-05	3	AUG 01/19			
52-11-00-05	4	AUG 01/19			
52-11-00-05	5	AUG 01/19			

* THE ASTERISK INDICATES PAGES CHANGED OR ADDED BY THE CURRENT REVISION

52 - EFFECTIVE PAGES

PAGE 1
AUG 01/19

Beechcraft Corporation

MODEL 1900C AIRLINER ILLUSTRATED PARTS CATALOG

PAGE INTENTIONALLY LEFT BLANK

Beechcraft Corporation

MODEL 1900C AIRLINER ILLUSTRATED PARTS CATALOG

CHAPTER 52 - DOORS

TABLE OF CONTENTS

SUBJECT	CHAPTER SECTION UNIT	FIGURE	EFFECT
PASSENGER/CREW	52-10-00		
AIRSTAIR DOOR	52-10-00	05	UC001-UC999
AIRSTAIR DOOR LATCH MECHANISM	52-10-00	06	UC001-UC999
AIRSTAIR DOOR HANDRAIL	52-10-00	07	UC001-UC999
AIRSTAIR DOOR DAMPENER	52-10-00	08	UC001-UC999
CARGO DOOR	52-11-00	04	UC001-UC999
CARGO DOOR LATCH MECHANISM	52-11-00	05	UC001-UC999
CARGO DOOR DAMPER	52-11-00	06	UC001-UC999
EMERGENCY EXIT	52-20-00		
EMERGENCY EXIT DOOR	52-20-00	02	UC001-UC999
CARGO	52-30-00		
NOSE BAGGAGE AND AVIONICS DOOR	52-30-00	02	UC001-UC999
SERVICE	52-40-00		
FUSELAGE ACCESS SERVICE DOORS	52-40-00	03	UC001-UC999
ACCESS DOORS-WING	52-40-00	06	UC001-UC999
DOOR WARNING	52-70-00		
AIRSTAIR DOOR ELECT EQUIP	52-70-00	05	UC001-UC999
NOSE DOOR ELECTRICAL EQUIPMENT	52-70-00	06	UC001-UC999
CARGO DOOR ELECTRICAL EQUIPMENT	52-70-00	07	UC001-UC999

Beechcraft Corporation

MODEL 1900C AIRLINER ILLUSTRATED PARTS CATALOG

PAGE INTENTIONALLY LEFT BLANK

Beechcraft Corporation

MODEL 1900C AIRLINER ILLUSTRATED PARTS CATALOG

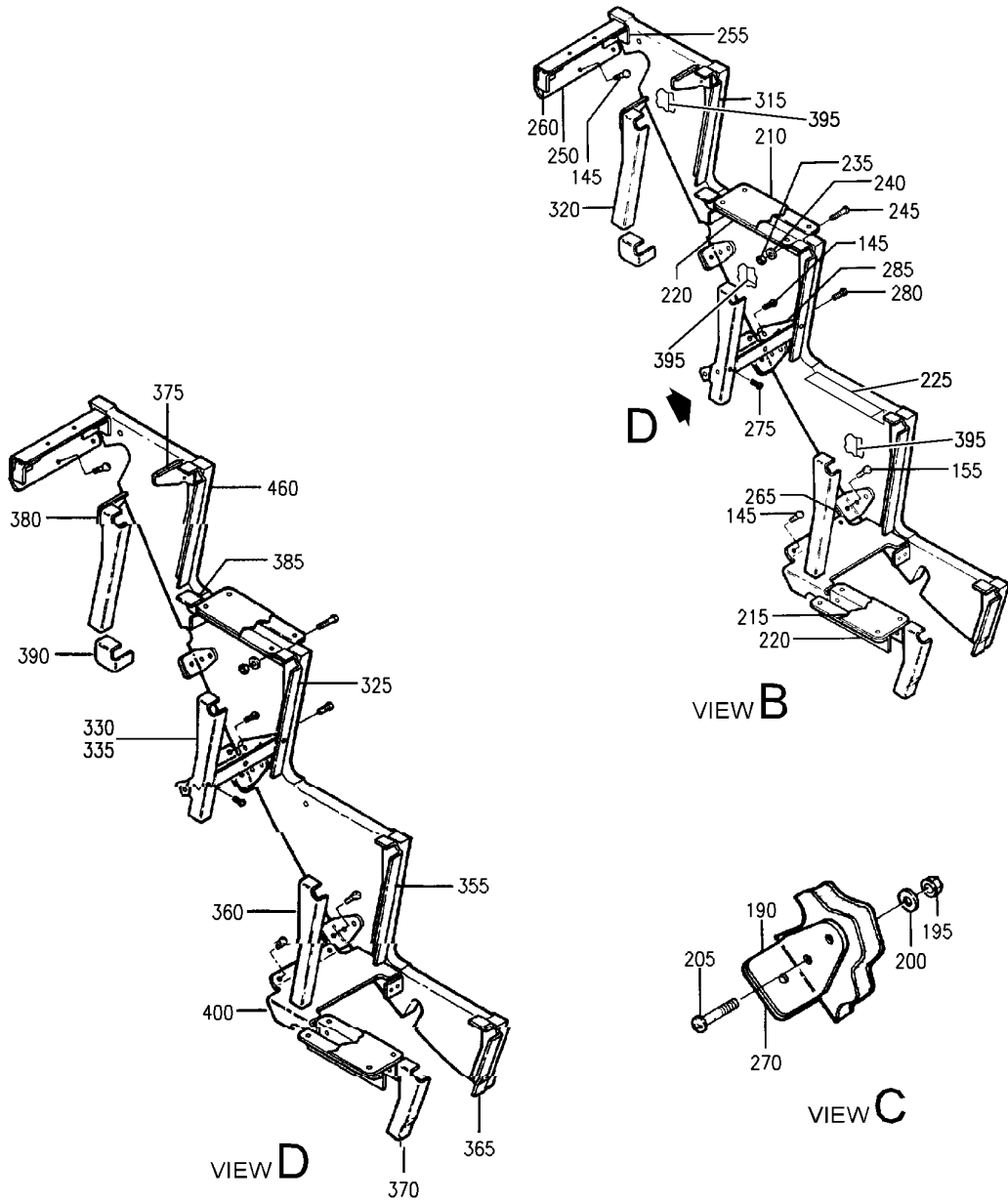
52-10-00-05

AIRSTAIR DOOR

52-10-00-05

Beechcraft Corporation

MODEL 1900C AIRLINER ILLUSTRATED PARTS CATALOG

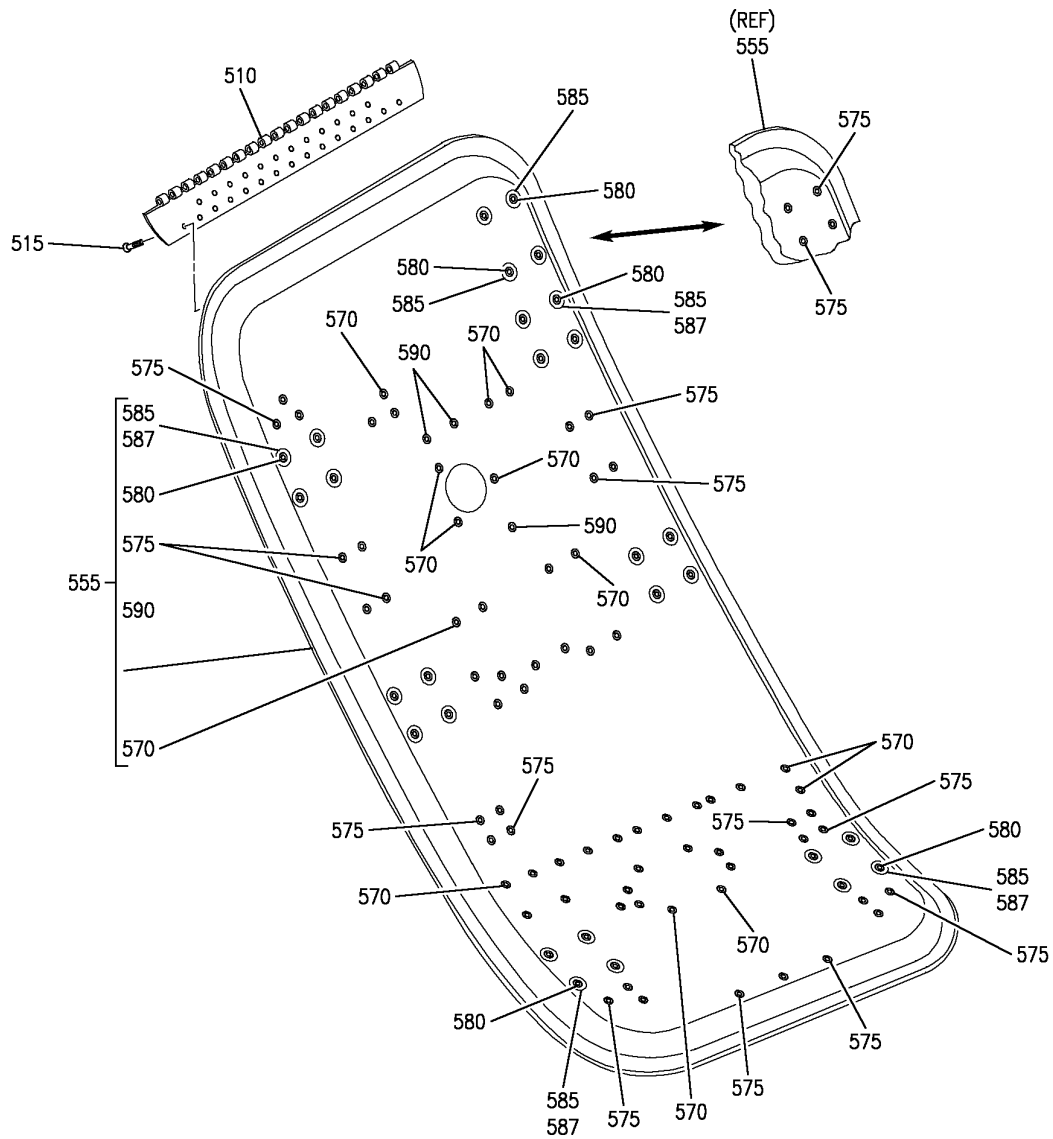


K 52100005 SH- 2 REV 044

AIRSTAIR DOOR
SHEET 2 OF 3

Beechcraft Corporation

MODEL 1900C AIRLINER ILLUSTRATED PARTS CATALOG



VIEW E

AIRSTAIR DOOR
SHEET 3 OF 3

K 52100005 SH1 3 REV 044

Beechcraft Corporation

MODEL 1900C AIRLINER ILLUSTRATED PARTS CATALOG

FIG ITEM	PART NUMBER	NOMENCLATURE 1 2 3 4 5 6 7	USABLE ON CODE	UNITS PER ASSY
05		AIRSTAIR DOOR		
-5	114-400022-1	DOOR INSTL-FORWARD AIRSTAIR	A	RF
-5	114-400022-7	DOOR INSTL-FORWARD AIRSTAIR	E	RF
-5	114-400022-11	DOOR INSTL-FORWARD AIRSTAIR	F	RF
20	114-400022-5	. PIN-HINGE	A	1
		FOR SPARES ORDER: 114-400022-9		
20	114-400022-9	. PIN-HINGE	FE	1
		SPARES REPLACEMENT FOR: 114-400022-5		
30	MS20253P2-1575	. PIN-HINGE, FORWARD DOOR	FE	1
35	114-400031-1	. HINGE ASSY-SEAL PROTECTOR, FORWARD DOOR	FE	1
		ATTACHING PARTS		
40	MS24694-S50	. SCREW-FORWARD DOOR	FE	5
		FOR SPARES ORDER: NASM24694-S50		
40	NASM24694-S50	. SCREW-FORWARD DOOR	FE	5
		SPARES REPLACEMENT FOR: MS24694-S50		
		-----*		
45	MS20253P2-1575	. . PIN-HINGE	FE	2
50	114-400031-9	. . HINGE-HALF	FE	3
55	114-400031-11	. . HINGE-HALF	FE	1
60	114-400031-7	. . HINGE-HALF	FE	1
65	114-400031-3	. . PLATE	FE	1
70	114-400031-5	. . PLATE	FE	1
75	114-530219-1	. PLATE	FE	1
		PLACARD CONTENT: CAUTION-LOW ENTRY		
		ATTACHING PARTS		
80	NAS387-832-8	. SCREW	FE	2
		-----*		
85	101-430195-1	. RETAINER-FORWARD	A	1
85	114-430166-1	. RETAINER-FORWARD	B	1
95	101-430195-2	. RETAINER-AFT	A	1
95	114-430166-2	. RETAINER-AFT	B	1
		ATTACHING PARTS		
105	MS24693-S274	. SCREW	FE	2
		FOR SPARES ORDER: NASM24693-S274		
105	NASM24693-S274	. SCREW	FE	2
		SPARES REPLACEMENT FOR: MS24693-S274		
		-----*		
115	114-400027-1	. DOOR ASSY-AIRSTAIR	G	1
115	114-400027-3	. DOOR ASSY-AIRSTAIR	F	1
125	114-400030-1	. . SEAL ASSY	FE	1
-130	114-400037-1	. . STEP INSTL-AIRSTAIR DOOR	FE	RF
140	114-400037-3	. . . STEP ASSY	K	1
		FOR SPARES ORDER: 114-400037-91		
140	114-400037-91	. . . STEP ASSY	FE	1
		SPARES REPLACEMENT FOR: 114-400037-3		

MISSING ITEM NO. NOT APPLICABLE

- ITEM NOT ILLUSTRATED

52-10-00-05

PAGE 1
AUG 01/19

Beechcraft Corporation

MODEL 1900C AIRLINER ILLUSTRATED PARTS CATALOG

FIG ITEM	PART NUMBER	NOMENCLATURE 1 2 3 4 5 6 7	USABLE ON CODE	UNITS PER ASSY
05		ATTACHING PARTS		
145	MS27039-1-06 SCREW	FE	9
150	MS27039-1-07 SCREW	FE	3
155	MS27039-1-08 SCREW	FE	19
		-----*		
160	114-400037-95 BOND ASSY-STEP SPARES REPLACEMENT FOR: 114-400037-7	FE	1
160	114-400037-7 BOND ASSY-STEP FOR SPARES ORDER: 114-400037-95	K	1
165	114-400037-93 BOND ASSY-STEP SPARES REPLACEMENT FOR: 114-400037-5	FE	3
165	114-400037-5 BOND ASSY-STEP FOR SPARES ORDER: 114-400037-93	K	3
		ATTACHING PARTS		
170	MS24694-S61 SCREW FOR SPARES ORDER: NASM24694-S61	FE	48
170	NASM24694-S61 SCREW SPARES REPLACEMENT FOR: MS24694-S61	FE	48
-175	MS21075L3 NUTPLATE	FE	48
		-----*		
180	P102C10-1 PLUG	FE	12
185	S102D10-12 SLEEVE	FE	12
190	114-400037-25 SUPPORT	FE	16
		ATTACHING PARTS		
195	MS21042L3 NUT	FE	16
200	AN960-10L WASHER ALTERNATE SPARE: NAS1149F0332P	FE	16
200	NAS1149F0332P WASHER ALTERNATE SPARE: AN960-10L	FE	16
205	NAS464P3A12 BOLT ALTERNATE SPARE: NAS6203-12	FE	16
205	NAS6203-12 BOLT ALTERNATE SPARE: NAS464P3A12	FE	16
		-----*		
210	114-400037-17 STRAP	FE	4
215	114-400037-73 STRAP	FE	4
220	114-400037-19 ANGLE	FE	12
225	114-400037-87 ANGLE-LH	FE	2
-230	114-400037-88 ANGLE-RH	FE	2
		ATTACHING PARTS		
235	MS21042L3 NUT	FE	32
240	AN960-10L WASHER ALTERNATE SPARE: NAS1149F0332P	FE	32

MISSING ITEM NO. NOT APPLICABLE

- ITEM NOT ILLUSTRATED

52-10-00-05

PAGE 2
AUG 01/19

Beechcraft Corporation

MODEL 1900C AIRLINER ILLUSTRATED PARTS CATALOG

FIG ITEM	PART NUMBER	NOMENCLATURE 1 2 3 4 5 6 7	USABLE ON CODE	UNITS PER ASSY
05				
240	NAS1149F0332P WASHER ALTERNATE SPARE: AN960-10L	FE	32
245	MS27039-1-17 SCREW -----*	FE	32
250	114-400037-27 SUPPORT	FE	1
255	114-400037-29 CLIP	FE	1
260	114-400037-30 CLIP	FE	1
265	114-400037-21 STRAP	FE	4
270	114-400037-23 STRAP	FE	4
275	MS27039-1-07 SCREW	FE	3
280	MS27039-1-17 SCREW	FE	5
285	114-400037-47 CLOSEOUT ASSY	FE	1
-290	MS21069L3 NUTPLATE	FE	6
-295	MS21073L3 NUTPLATE	FE	1
-300	MS21071L3 NUTPLATE	FE	1
305	114-400037-33 WEB	FE	1
310	114-400037-31 WEB	FE	1
315	114-400037-53 REINFORCEMENT	FE	1
320	114-400037-54 REINFORCEMENT	FE	1
325	114-400037-55 REINFORCEMENT	H	1
330	114-400037-107 REINFORCEMENT	J	1
335	114-400037-56 REINFORCEMENT	H	1
335	114-400037-108 REINFORCEMENT	J	1
345	114-400037-35 WEB	FE	1
350	114-400037-37 WEB	FE	1
355	114-400037-57 REINFORCEMENT	FE	1
360	114-400037-58 REINFORCEMENT	FE	1
365	114-400037-59 REINFORCEMENT	FE	1
370	114-400037-60 REINFORCEMENT	FE	1
375	114-400037-49 CLIP	FE	4
380	114-400037-50 CLIP	FE	4
385	114-400037-51 CLIP	FE	2
390	114-400037-52 CLIP	FE	2
395	114-400037-89 CLIP-UPHOLSTERY	FE	6
400	114-400037-45 CLOSEOUT	FE	1
405	114-400026-29 BRACKET ASSY-LAMP SWITCH SUPPORT ATTACHING PARTS	FE	1
410	MS35206-227 SCREW FOR SPARES ORDER: NASM35206-227	FE	2
410	NASM35206-227 SCREW SPARES REPLACEMENT FOR: MS35206-227	FE	2
415	AN960-6L WASHER -----*	FE	2
-420	MS21071L06 NUTPLATE	FE	2
425	114-400037-75 DOOR ASSY	FE	1
430	2600LW WASHER-LATCHING STUD RETAINING	FE	2
435	2600-9W STUD-LATCHING	FE	2
440	114-400037-77 BRACKET	FE	1
445	114-400037-79 DOOR	FE	1
450	312-12 RECEPTACLE-DOOR STUD	FE	2

MISSING ITEM NO. NOT APPLICABLE

- ITEM NOT ILLUSTRATED

52-10-00-05

PAGE 3
AUG 01/19

Beechcraft Corporation

MODEL 1900C AIRLINER ILLUSTRATED PARTS CATALOG

FIG	PART NUMBER	NOMENCLATURE	USABLE ON CODE	UNITS PER ASSY
ITEM		1 2 3 4 5 6 7		
05				
455	114-400037-39 ANGLE ASSY	FE	1
460	114-400037-9 RAIL ASSY-SIDE, BONDED	FE	1
-465	P102D10-2 PLUG	FE	22
-470	S102D10-08 SLEEVE	FE	22
475	114-400037-61 RAIL ASSY-SIDE, BONDED	FE	1
-480	P102D10-2 PLUG	FE	21
-485	S102D10-08 SLEEVE	FE	21
490	114-400023-1	. . STRUCTURE ASSY-DOOR FOR SPARES ORDER: 114-400023-69	A	1
490	114-400023-37	. . STRUCTURE ASSY-DOOR FOR SPARES ORDER: 114-400023-43 114-400023-69	E	1
490	114-400023-43	. . STRUCTURE ASSY-DOOR SPARES REPLACEMENT FOR: 114-400023-37 FOR SPARES ORDER: 114-400023-69	E	1
490	114-400023-49	. . STRUCTURE ASSY-DOOR FOR SPARES ORDER: 114-400023-69	F	1
490	114-400023-69	. . STRUCTURE ASSY-DOOR SPARES REPLACEMENT FOR: 114-400023-1 114-400023-37 114-400023-43 114-400023-49	FE	1
510	114-400028-1	. . . HINGE-HALF	A	1
510	114-400028-7	. . . HINGE-HALF FOR SPARES ORDER: 114-400028-13	C	1
510	114-400028-13	. . . HINGE-HALF SPARES REPLACEMENT FOR: 114-400028-7	B	1
510	129-400042-1	. . . HINGE-HALF USED ON PART NUMBER: 114-400023-69 USED WITH PART NUMBER: MS24696S50	FE	1
515	MS24694-S50	ATTACHING PARTS . . . SCREW USED ON PART NUMBER: 114-400023-69 USED WITH PART NUMBER: 129-400042-1 FOR SPARES ORDER: NASM24694-S50	FE	27

MISSING ITEM NO. NOT APPLICABLE

- ITEM NOT ILLUSTRATED

52-10-00-05

PAGE 4
AUG 01/19

Beechcraft Corporation

MODEL 1900C AIRLINER ILLUSTRATED PARTS CATALOG

FIG ITEM	PART NUMBER	NOMENCLATURE 1 2 3 4 5 6 7	USABLE ON CODE	UNITS PER ASSY
05				
515	NASM24694-S50	. . . SCREW USED ON PART NUMBER: 114-400023-69 USED WITH PART NUMBER: 129-400042-1 SPARES REPLACEMENT FOR: MS24694-S50	FE	27
525	MS24694-S50	. . . SCREW FOR SPARES ORDER: NASM24694-S50	FE	1
525	NASM24694-S50	. . . SCREW SPARES REPLACEMENT FOR: MS24694-S50	FE	1
530	101-430142-33	. . . STOP-NYLON	FE	1
535	114-400023-19	. . . RETAINER-SIDE SEAL	E	2
540	114-400023-17	. . . RETAINER-LOWER SEAL	E	1
545	114-400023-21	. . . RETAINER-UPPER SEAL	E	1
550	114-400023-31	. . . HINGE-HALF	FE	1
555	114-400023-35	. . . DOOR ASSY-BONDED USED ON 114-400023-1	A	1
555	114-400023-39	. . . DOOR ASSY-BONDED USED ON 114-400023-37 114-400023-43	E	1
555	114-400023-45	. . . BOND ASSY-DOOR USED ON 114-400023-49	F	1
555	114-400023-71	. . . BOND ASSY-DOOR USED ON PART NUMBER: 114-400023-69	FE	1
570	495SE1032-16-2 INSERT WHERE MATERIAL IS 0.020 TO 0.029 THICK	FE	44
575	495SE1032-16-4 INSERT WHERE MATERIAL IS 0.040 TO 0.049 THICK	G	32
580	495SE1032-16-4 INSERT	F	28
585	101-430140-103 FILLER ASSY	F	28
587	101-430140-103 FILLER ASSY	G	24
590	495SE428-16-2 INSERT-LWR DOOR HANDLE PULLEYS	FE	3
-595	495SE1032-10-2 INSERT-NYLON STOP	FE	14
-600	114-400046-1	. SEAL INSTL-AIRSTAIR DOOR	F	RF
605	114-400046-3	. . RETAINER	F	2
610	114-400046-5	. . RETAINER	F	1
615	114-400046-7	. . RETAINER	F	1
620	114-400030-1	. . SEAL ASSY	F	1
		UC001-UC008 UC009-UC999 UC009-UC127 UC009-UC166	A B C E	
		(CONTINUED NEXT PAGE)		
		MISSING ITEM NO. NOT APPLICABLE		

- ITEM NOT ILLUSTRATED

52-10-00-05

PAGE 5
AUG 01/19

Beechcraft Corporation

MODEL 1900C AIRLINER ILLUSTRATED PARTS CATALOG

FIG ITEM	PART NUMBER	NOMENCLATURE 1 2 3 4 5 6 7	USABLE ON CODE	UNITS PER ASSY
05		<p>(CONTINUED)</p> <p>UC167-UC999 UC001-UC166 UC001-UC170 UC171-UC999 UC001-UC003 UC001-UC999</p>	<p>F G H J K FE</p>	
MISSING ITEM NO. NOT APPLICABLE				

- ITEM NOT ILLUSTRATED

52-10-00-05

PAGE 6
AUG 01/19

Beechcraft Corporation

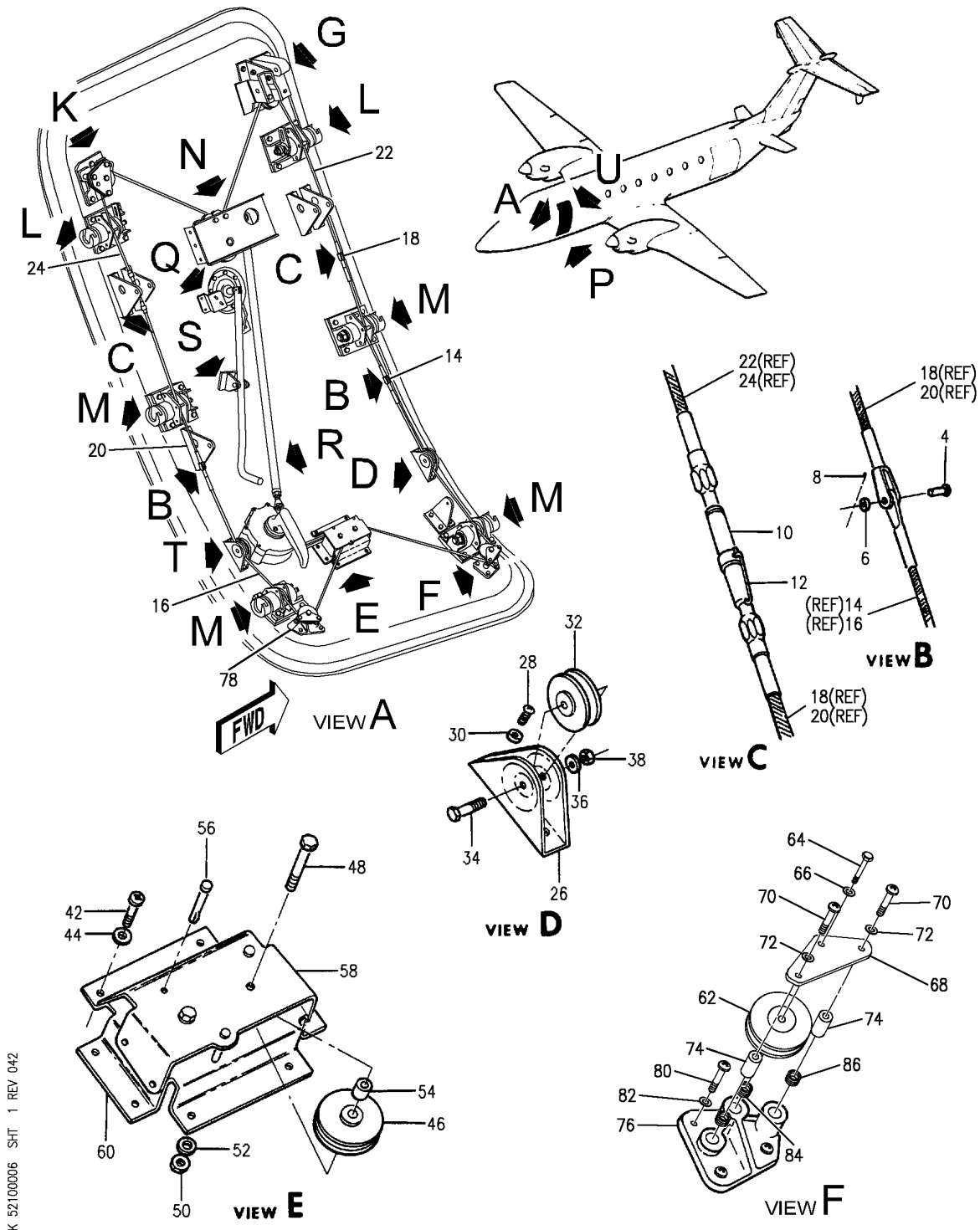
MODEL 1900C AIRLINER ILLUSTRATED PARTS CATALOG

52-10-00-06

AIRSTAIR DOOR LATCH MECHANISM

Beechcraft Corporation

MODEL 1900C AIRLINER ILLUSTRATED PARTS CATALOG

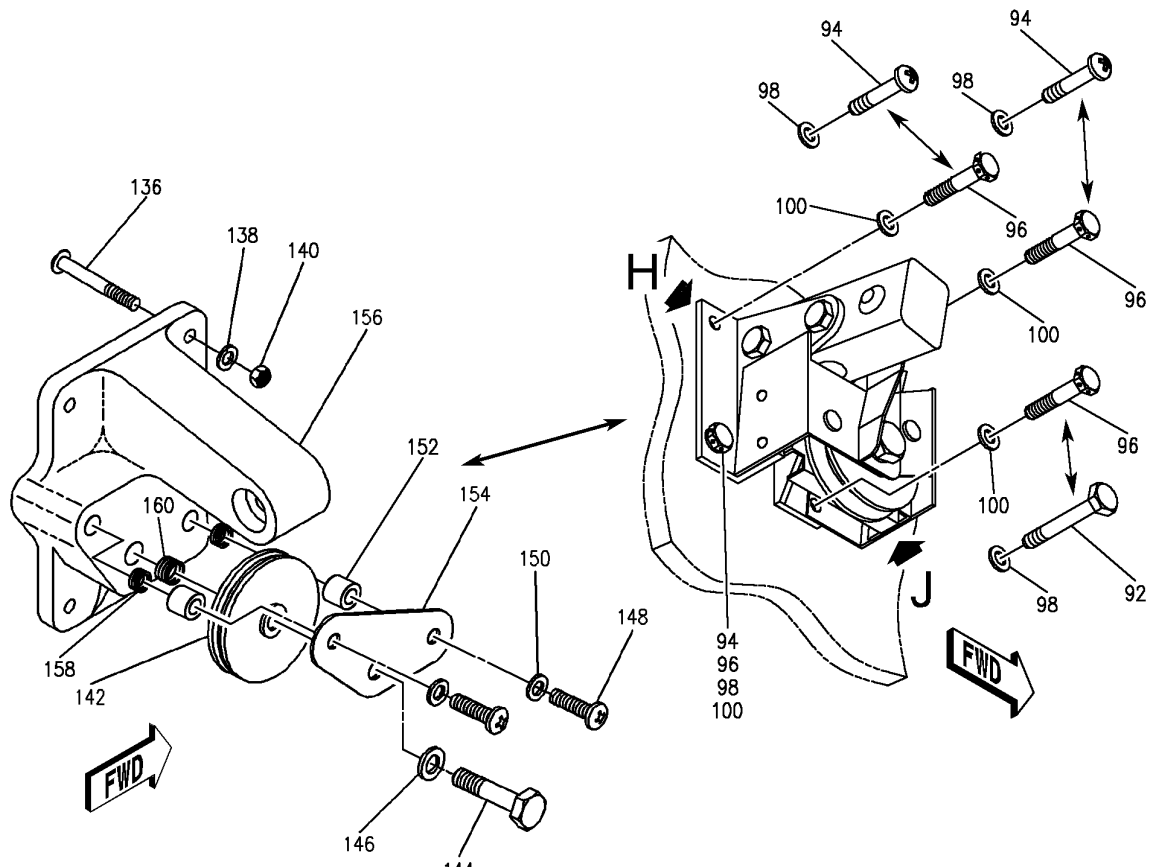


K 52100006 SH1 1 REV 042

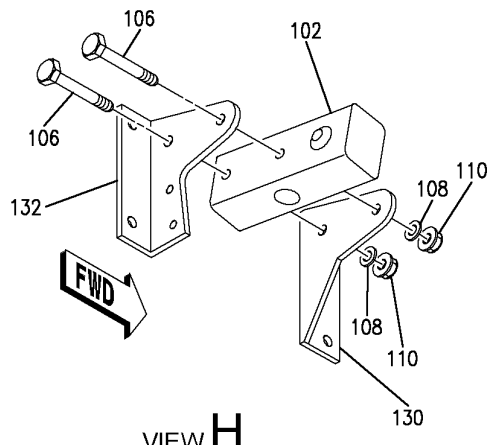
AIRSTAIR DOOR LATCH MECHANISM
SHEET 1 OF 6

Beechcraft Corporation

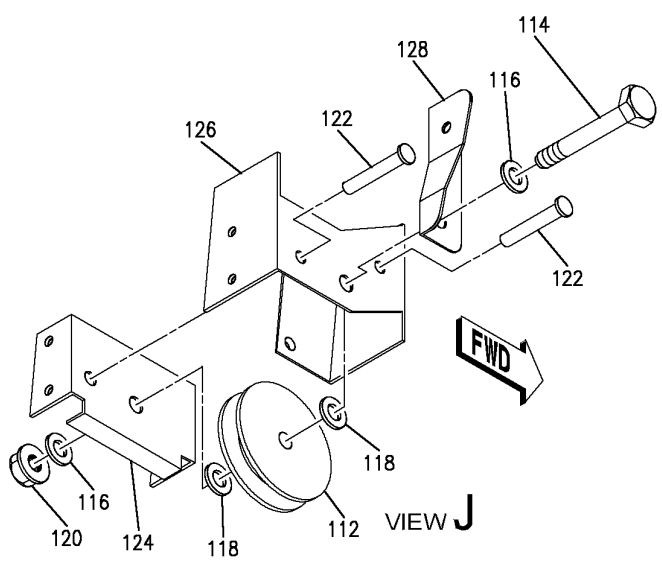
MODEL 1900C AIRLINER ILLUSTRATED PARTS CATALOG



VIEW G



VIEW H



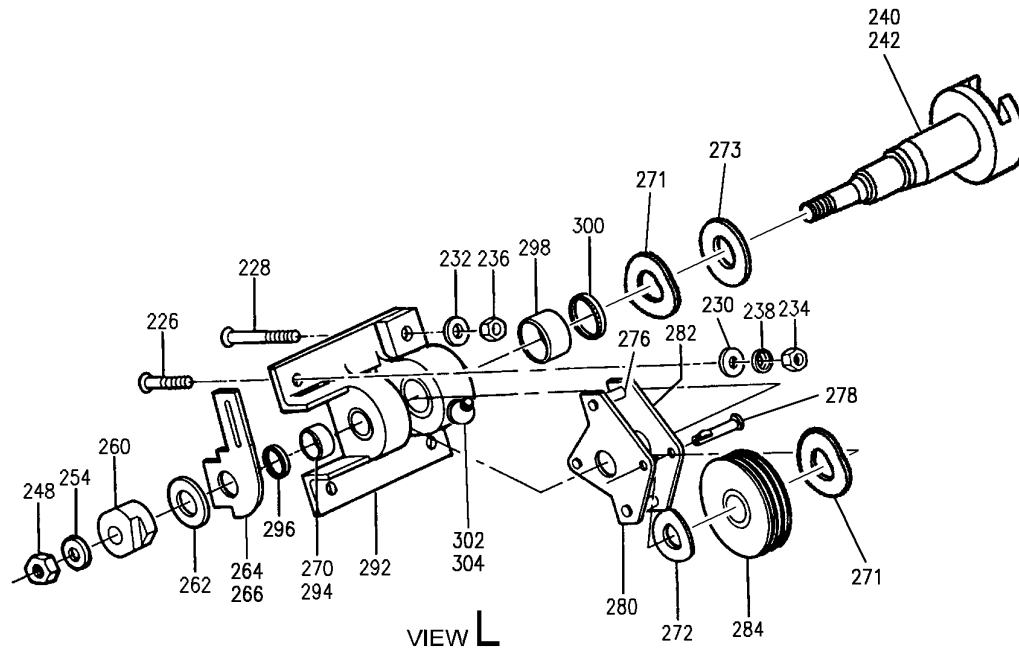
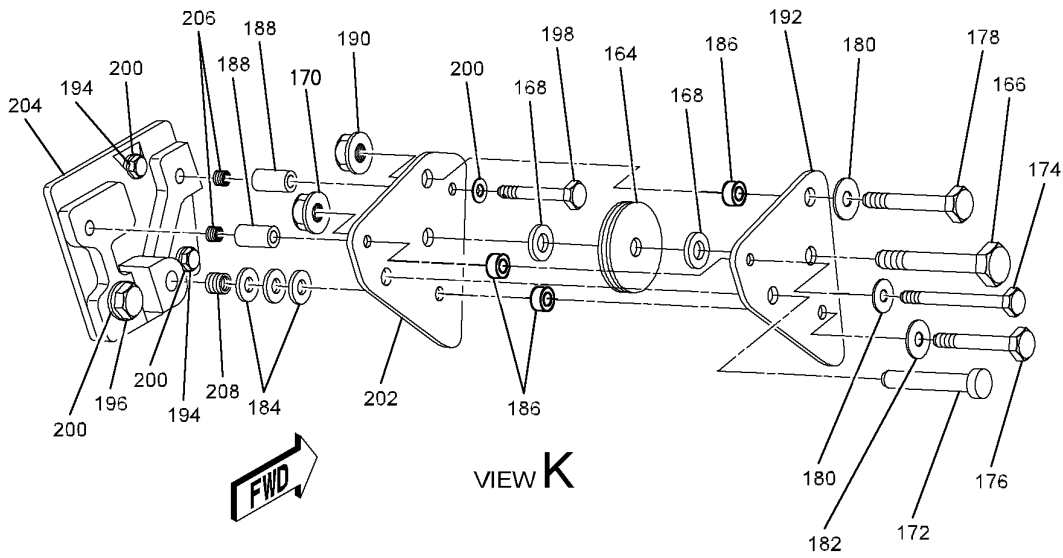
VIEW J

K 52100006 SHT. 2 REV 042

AIRSTAIR DOOR LATCH MECHANISM
SHEET 2 OF 6

Beechcraft Corporation

MODEL 1900C AIRLINER ILLUSTRATED PARTS CATALOG



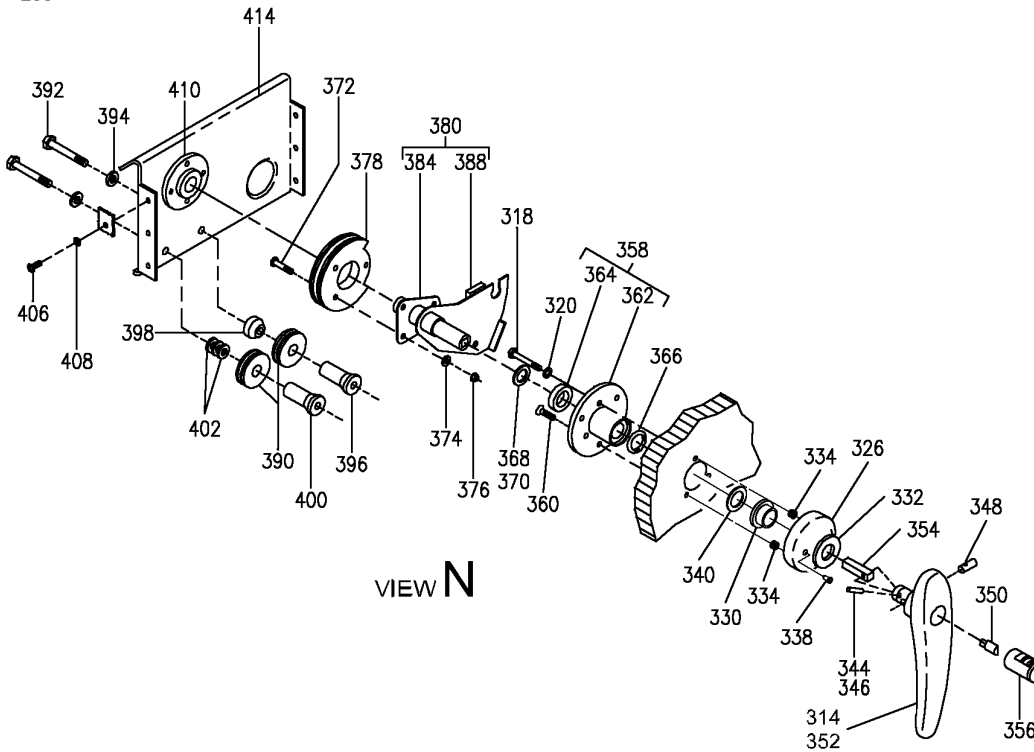
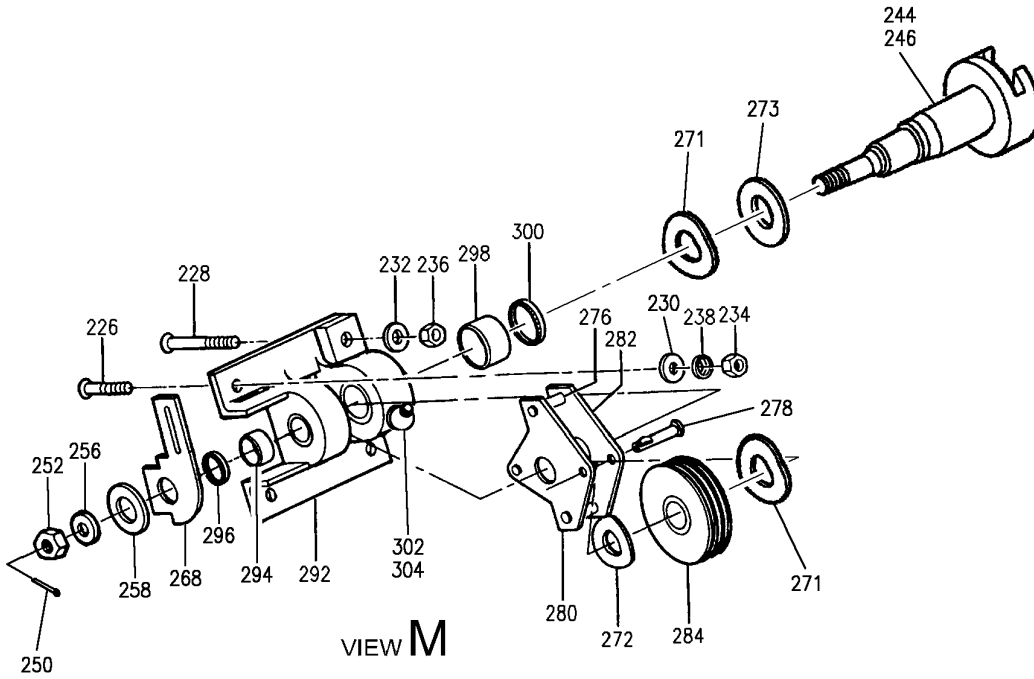
UC-52100006-03-AA

AIRSTAIR DOOR LATCH MECHANISM
SHEET 3 OF 6

52-10-00-06
PAGE 0B
AUG 01/19

Beechcraft Corporation

MODEL 1900C AIRLINER ILLUSTRATED PARTS CATALOG

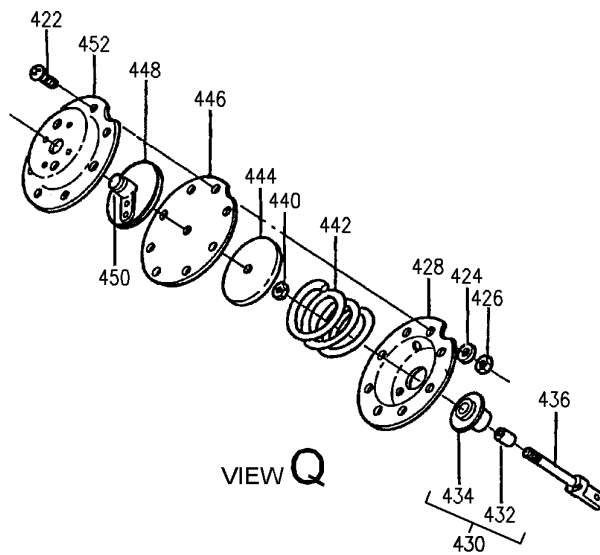
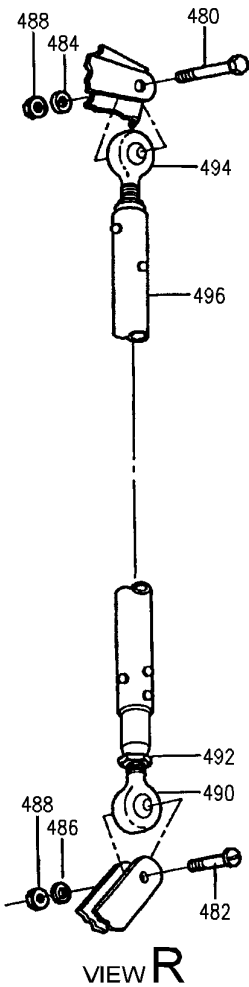
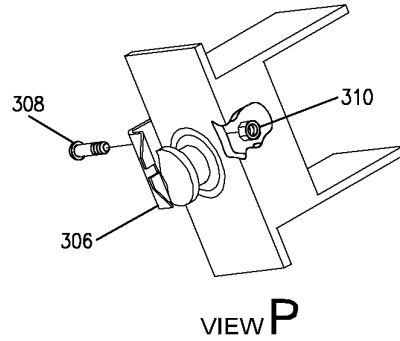
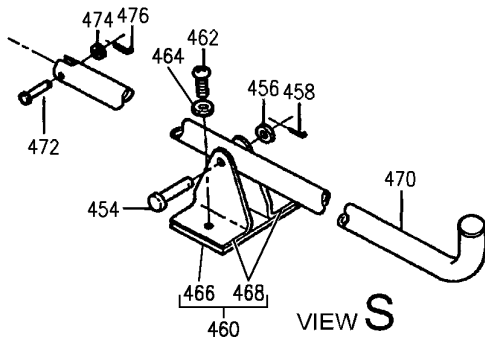


UC-52100006-04-AA

AIRSTAIR DOOR LATCH MECHANISM
SHEET 4 OF 6

Beechcraft Corporation

MODEL 1900C AIRLINER ILLUSTRATED PARTS CATALOG

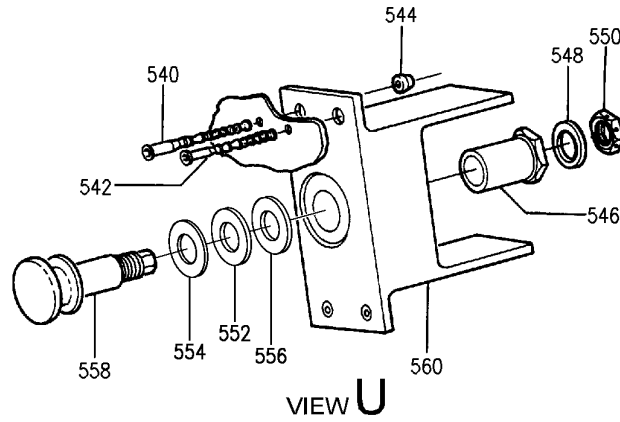
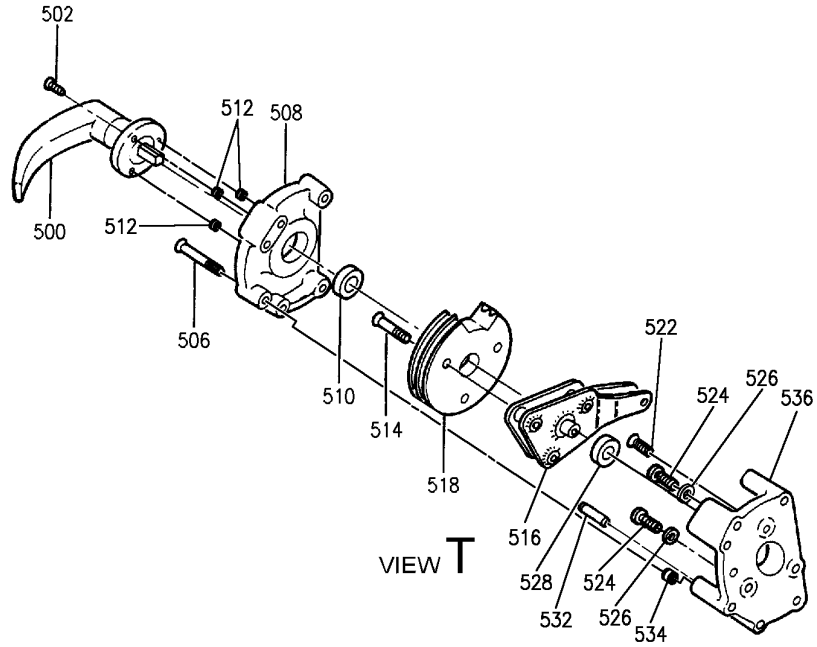


K 52100006 SH1 5 REV 042

AIRSTAIR DOOR LATCH MECHANISM
SHEET 5 OF 6

52-10-00-06
PAGE 0D
AUG 01/19

Beechcraft Corporation
MODEL 1900C AIRLINER ILLUSTRATED PARTS CATALOG



K 52100006 SHT 6 REV 042

AIRSTAIR DOOR LATCH MECHANISM
SHEET 6 OF 6

52-10-00-06
PAGE 0E
AUG 01/19

Beechcraft Corporation

MODEL 1900C AIRLINER ILLUSTRATED PARTS CATALOG

PAGE INTENTIONALLY LEFT BLANK

Beechcraft Corporation

MODEL 1900C AIRLINER ILLUSTRATED PARTS CATALOG

FIG ITEM	PART NUMBER	NOMENCLATURE 1 2 3 4 5 6 7	USABLE ON CODE	UNITS PER ASSY
06		AIRSTAIR DOOR LATCH MECHANISM		
-2	114-514020-5	MECHANISM INSTL-LATCH, AIRSTAIR DOOR	FE	RF
4	MS20392-2C9	. PIN	FE	2
6	NAS1149F0332P	. WASHER	FE	2
8	MS24665-151	. PIN-COTTER	FE	2
10	MS21251B3S	. TURNBUCKLE	FE	2
12	MS21256-1	. CLIP	FE	2
14	114-514030-21	. CABLE ASSY	FE	1
16	114-514030-1	. CABLE ASSY	FE	1
18	114-514030-17	. CABLE ASSY	FE	1
20	114-514030-5	. CABLE ASSY	FE	1
22	114-514030-13	. CABLE ASSY	FE	1
24	114-514030-9	. CABLE ASSY	FE	1
26	101-514062-3	. BRACKET	FE	2
		ATTACHING PARTS		
28	MS27039-1-08	. SCREW	FE	4
30	NAS1149F0332P	. WASHER	FE	4
		-----*		
32	MS20219A2	. PULLEY	FE	2
		ATTACHING PARTS		
34	130909B38	. BOLT	FE	2
36	NAS1149F0432P	. WASHER	FE	2
38	130909N32	. NUT	FE	2
		-----*		
-40	114-514022-1	. BRACKET ASSY-UPPER CENTER	FE	1
		ATTACHING PARTS		
42	MS27039-1-08	. SCREW	FE	8
44	NAS1149F0332P	. WASHER	FE	8
		-----*		
46	MS20219A2	. . PULLEY	FE	2
		ATTACHING PARTS		
48	130909B41	. . BOLT	FE	2
50	130909N32	. . NUT	FE	2
52	NAS1149F0463P	. . WASHER	FE	2
54	NAS43DD4-16	. . SPACER	FE	2
		-----*		
56	NAS427-K13	. . PIN-PULLEY GUARD	FE	3
58	114-514022-5	. . COVER	FE	1
60	114-514022-3	. . BASE	FE	1
62	MS20219A2	. PULLEY	FE	2
		ATTACHING PARTS		
64	130909B38	. BOLT	FE	1
66	NAS1149F0463P	. WASHER	FE	1
		-----*		
68	101-514165-3	. COVER	FE	1
		ATTACHING PARTS		
70	MS27039-1-15	. SCREW	FE	4
72	NAS1149F0332P	. WASHER	FE	4
74	NAS43DD3-28	. SPACER	FE	4
		-----*		
76	114-514021-1	. BRACKET ASSY	FE	1
78	114-514021-3	. BRACKET ASSY	FE	1
		ATTACHING PARTS		
80	MS27039-1-10	. SCREW	FE	3

MISSING ITEM NO. NOT APPLICABLE

- ITEM NOT ILLUSTRATED

52-10-00-06

PAGE 1
AUG 01/19

Beechcraft Corporation

MODEL 1900C AIRLINER ILLUSTRATED PARTS CATALOG

FIG ITEM	PART NUMBER	NOMENCLATURE 1 2 3 4 5 6 7	USABLE ON CODE	UNITS PER ASSY
06				
82	NAS1149F0363P	. WASHER -----*	FE	3
84	130077-7L-01	. . INSERT	FE	1
86	130077-5L-01	. . INSERT	FE	2
-88	114-514028-1	. BRACKET ASSY-DAMPER PRE KIT 114-4032-1	B	1
-90	114-514028-13	. BRACKET ASSY-DAMPER PRE KIT 114-4032-1 ATTACHING PARTS	C	1
92	130909B12	. BOLT	B	1
94	MS27039-1-08	. SCREW	B	3
96	NAS6203-3	. BOLT	C	4
98	NAS1149F0332P	. WASHER	B	4
100	AN960KD10	. WASHER -----*	C	4
102	101-514129-9	. . POST ASSY-DAMPER FOR SPARES ORDER: 118-514021-1	B	1
102	118-514021-1	. . POST ASSY-DAMPER SPARES REPLACEMENT FOR: 101-514129-9	B	1
102	118-514021-1	. . POST ASSY-DAMPER ATTACHING PARTS	C	1
106	AN3-15A	. . BOLT FOR SPARES ORDER: NASM3-15A	FE	2
106	NASM3-15A	. . BOLT SPARES REPLACEMENT FOR: AN3-15A	FE	2
108	NAS1149F0332P	. . WASHER	FE	2
110	130909N29	. . NUT -----*	FE	2
112	MS20219A2	. . PULLEY ATTACHING PARTS	FE	1
114	130909B40	. . BOLT	FE	1
116	NAS1149F0432P	. . WASHER	FE	2
118	NAS1149F0463P	. . WASHER	FE	2
120	130909N32	. . NUT -----*	FE	1
122	NAS427K11	. . PIN-PULLEY GUARD	FE	2
124	114-514028-9	. . CLIP	FE	1
126	114-514028-7	. . BRACKET	FE	1
128	114-514028-11	. . ANGLE	FE	1
130	114-514028-3	. . SUPPORT	FE	1
132	114-514028-5	. . SUPPORT	FE	1
-134	118-514022-1	. BRACKET ASSY-DAMPER KIT 114-4032-1 ATTACHING PARTS	FE	1
136	AN525-10R32	. SCREW FOR SPARES ORDER: NASM525-10R32	FE	4
136	NASM525-10R32	. SCREW SPARES REPLACEMENT FOR: AN525-10R32	FE	4
138	NAS1149F0363P	. WASHER	FE	4

MISSING ITEM NO. NOT APPLICABLE

- ITEM NOT ILLUSTRATED

52-10-00-06

PAGE 2
AUG 01/19

Beechcraft Corporation

MODEL 1900C AIRLINER ILLUSTRATED PARTS CATALOG

FIG ITEM	PART NUMBER	NOMENCLATURE 1 2 3 4 5 6 7	USABLE ON CODE	UNITS PER ASSY
06				
140	130909N29	. NUT -----*	FE	4
142	MS20219A2	. . PULLEY ATTACHING PARTS	FE	1
144	130909B38	. . BOLT	FE	1
146	NAS1149F0463P	. . WASHER -----*	FE	1
148	MS27039-1-14	. . SCREW	FE	2
150	NAS1149F0332P	. . WASHER	FE	2
152	NAS43DD3-28	. . SPACER	FE	2
154	129-514064-3	. . COVER	FE	1
156	118-514022-3	. . BRACKET ASSY-DAMPER	FE	1
158	MS21209F1-15	. . . INSERT	FE	2
160	MS21209F4-15	. . . INSERT	FE	1
-162	101-514125-5	. BRACKET INSTL-FORWARD LOWER	FE	RF
164	MS20219A2	. . PULLEY ATTACHING PARTS	FE	1
166	130909B38	. . BOLT	FE	1
168	NAS1149F0432P	. . WASHER	FE	1
170	130909N32	. . NUT -----*	FE	1
172	NAS429K9	. . PIN-PULLEY GUARD	FE	1
174	130909B25	. . BOLT	FE	1
176	130909B38	. . BOLT	FE	1
178	130909B17	. . BOLT	FE	1
180	NAS1149F0332P	. . WASHER	FE	2
182	NAS1149F0432P	. . WASHER	FE	1
184	NAS1149F0463P	. . WASHER	FE	3
186	NAS43DD3-28	. . SPACER	FE	3
188	NAS43DD3-64	. . SPACER	FE	1
190	130909N29	. . NUT	FE	1
192	101-514087-7	. . COVER	FE	1
194	130909B12	. . BOLT	FE	2
196	130909B17	. . BOLT	FE	1
198	AN23-21	. . BOLT FOR SPARES ORDER: NASM23-21	FE	1
198	NASM23-21	. . BOLT SPARES REPLACEMENT FOR: AN23-21	FE	1
200	NAS1149F0332P	. . WASHER	FE	4
202	101-514087-5	. . COVER	FE	1
204	101-514099-1	. . SUPPORT ASSY	FE	1
206	130077-5L-01	. . . INSERT	FE	2
208	130077-7L-01	. . . INSERT	FE	1
-210	101-514160-13	. LATCH ASSY-LOWER FORWARD FOR SPARES ORDER: 101-514160-20	D	1
-210	101-514160-20	. LATCH ASSY-LOWER FORWARD SPARES REPLACEMENT FOR: 101-514160-13	FE	1
-214	101-514160-14	. LATCH ASSY-LOWER AFT FOR SPARES ORDER: 101-514160-19	D	1

MISSING ITEM NO. NOT APPLICABLE

- ITEM NOT ILLUSTRATED

52-10-00-06

PAGE 3
AUG 01/19

Beechcraft Corporation

MODEL 1900C AIRLINER ILLUSTRATED PARTS CATALOG

FIG ITEM	PART NUMBER	NOMENCLATURE 1 2 3 4 5 6 7	USABLE ON CODE	UNITS PER ASSY
06				
-214	101-514160-19	. LATCH ASSY-LOWER AFT SPARES REPLACEMENT FOR: 101-514160-14	FE	1
-218	101-514160-17	. LATCH ASSY-FORWARD CENTER AND UPPER FOR SPARES ORDER: 101-514160-22	D	2
-218	101-514160-22	. LATCH ASSY-FORWARD CENTER AND UPPER SPARES REPLACEMENT FOR: 101-514160-17	FE	2
-222	101-514160-18	. LATCH ASSY-AFT CENTER AND UPPER FOR SPARES ORDER: 101-514160-21	D	2
-222	101-514160-21	. LATCH ASSY-AFT CENTER AND UPPER SPARES REPLACEMENT FOR: 101-514160-18	FE	2
226	NAS335CPA23	. BOLT	FE	2
228	NAS334CPA20	. BOLT	FE	2
230	NAS1149F0532P	. WASHER	FE	AR
232	NAS1149F0463P	. WASHER	FE	2
234	52LH2935-054	. NUT-SELF ALIGN	FE	2
236	130909N32	. NUT	FE	2
238	2935-05	. BASE-MATING -----*	FE	2
240	101-514047-9	. . SHAFT-LOWER FORWARD USED ON PART NUMBER: 101-514160-13	FE	1
240	101-514047-17	. . SHAFT-LOWER FORWARD USED ON PART NUMBER: 101-514160-20	FE	1
242	101-514047-11	. . SHAFT-LOWER AFT USED ON PART NUMBER: 101-514160-14	FE	1
242	101-514047-15	. . SHAFT-LOWER AFT USED ON PART NUMBER: 101-514160-19	FE	1
244	101-514047-21	. . SHAFT-FORWARD CENTER AND UPPER LATCH USED ON PART NUMBER: 101-514160-17 101-514160-21	FE	1
246	101-514047-23	. . SHAFT-AFT CENTER AND UPPER LATCH USED ON PART NUMBER: 101-514160-18 101-514160-22	FE	1
248	130909N24	. . NUT-LOWER FORWARD AND AFT	FE	1
250	MS24665-287	. . PIN-COTTER, CENTER AND UPPER	FE	1
252	MS17825-7	. . NUT-CENTER AND UPPER	FE	1

MISSING ITEM NO. NOT APPLICABLE

- ITEM NOT ILLUSTRATED

52-10-00-06

PAGE 4
AUG 01/19

Beechcraft Corporation

MODEL 1900C AIRLINER ILLUSTRATED PARTS CATALOG

FIG ITEM	PART NUMBER	NOMENCLATURE 1 2 3 4 5 6 7	USABLE ON CODE	UNITS PER ASSY
06				
254	NAS1149F0563P	. . WASHER-LOWER FORWARD AND	FE	2
256	NAS460-716	. . WASHER-CENTER AND UPPER LATCH	FE	1
258	100951X125YX	. . WASHER-CENTER AND UPPER LATCH -----*-----	FE	1
260	101-514161-1	. . CAM-LOWER FORWARD AND AFT	FE	1
262	100951S032XL	. . WASHER	FE	1
264	101-514156-5	. . PLATE ASSY-LOWER FORWARD	FE	1
266	101-514156-6	. . PLATE ASSY-LOWER AFT	FE	1
268	101-514156-4	. . PLATE-CENTER AND UPPER FOR SPARES ORDER: 101-514156-10	FE	1
268	101-514156-10	. . PLATE-CENTER AND UPPER SPARES REPLACEMENT FOR: 101-514156-4	FE	1
270	101-514144-1	. . SPACER-LOWER FORWARD AND AFT	FE	1
271	114-514069-1	. . WASHER-SPRING	D	2
272	CYL2801-000	. . WASHER	FE	1
273	101-514202-1	. . WASHER	D	AR
-274	101-514055-7	. . GUIDE ASSY	FE	1
276	NAS42DD4-48	. . . SPACER	FE	3
278	NAS427K14	. . . PIN	FE	1
280	101-514055-3	. . . GUIDE	FE	1
282	101-514055-5	. . . GUIDE	FE	1
284	101-514044-3	. . DRUM ASSY	FE	1
-286	101-514030-17	. . HOUSING ASSY-LATCH FOR SPARES ORDER: 101-514030-21 PRE SERVICE BULLETIN: SB2572	D	1
-286	101-514030-21	. . HOUSING ASSY-LATCH SPARES REPLACEMENT FOR: 101-514030-17 SERVICE BULLETIN: SB2572	D	1
-286	101-514030-21	. . HOUSING ASSY-LATCH	E	1
292	101-514030-15	. . . BOND ASSY-LATCH HOUSING	FE	1
294	131763-3	. . . BEARING	D	1
296	2000-016	. . . SEAL-BEARING	D	1
298	131763-4	. . . BEARING	FE	1
300	2000-020	. . . SEAL-BEARING	FE	2
302	MS15001-3	. . . FITTING-LUBRICATION PRE SERVICE BULLETIN: SB2572	D	1
304	MS15001-3	. . . FITTING-LUBRICATION	E	1
306	101-514193-3	. INDICATOR-ROTARY LATCH ALTERNATE SPARE: 101-514193-7	FE	6
306	101-514193-7	. INDICATOR-ROTARY LATCH ALTERNATE SPARE: 101-514193-3	FE	6

MISSING ITEM NO. NOT APPLICABLE

- ITEM NOT ILLUSTRATED

52-10-00-06

PAGE 5
AUG 01/19

Beechcraft Corporation

MODEL 1900C AIRLINER ILLUSTRATED PARTS CATALOG

FIG ITEM	PART NUMBER	NOMENCLATURE 1 2 3 4 5 6 7	USABLE ON CODE	UNITS PER ASSY
06				
308	AN525-832R10	. ATTACHING PARTS . SCREW FOR SPARES ORDER: NASM525-832R10	FE	2
308	NASM525-832R10	. SCREW SPARES REPLACEMENT FOR: AN525-832R10	FE	2
310	NAS1329H08R120L	. NUT -----*-----	FE	2
-312	114-514023-1	. HANDLE INSTL-LOWER DOOR	FE	RF
314	101-514176-9	. . HANDLE AND SUPPORT ASSY OUTSIDE FOR SPARES ORDER: 101-514176-17	FE	1
314	101-514176-17	. . HANDLE ASSY-OUTSIDE SPARES REPLACEMENT FOR: 101-514176-9	FE	1
318	AN3-17A	. . BOLT FOR SPARES ORDER: NASM3-17A	FE	3
318	NASM3-17A	. . BOLT SPARES REPLACEMENT FOR: AN3-17A	FE	3
320	NAS1149F0332P	. . WASHER -----*-----	FE	3
-325	101-514177-5	. . SUPPORT ASSY FOR SPARES ORDER: 101-514177-11 PRE SERVICE BULLETIN: SB2572	FE	RF
-325	101-514177-11	. . SUPPORT ASSY SPARES REPLACEMENT FOR: 101-514177-5 SERVICE BULLETIN: SB2572	FE	1
326	101-514177-7	. . . SUPPORT FOR SPARES ORDER: 101-514177-9 PRE SERVICE BULLETIN: SB2572	FE	1
326	101-514177-9	. . . SUPPORT SPARES REPLACEMENT FOR: 101-514177-7 SERVICE BULLETIN: SB2572	FE	1
330	MS21241-12C008	. . . BEARING	FE	1
332	101-384142-1	. . . BEARING	FE	1
334	130077-5L-01	. . . INSERT FOR SPARES ORDER: MS51830-201L	FE	3
334	MS51830-201L	. . . INSERT SPARES REPLACEMENT FOR: 130077-5L-01	FE	3

MISSING ITEM NO. NOT APPLICABLE

- ITEM NOT ILLUSTRATED

52-10-00-06

PAGE 6
AUG 01/19

Beechcraft Corporation

MODEL 1900C AIRLINER ILLUSTRATED PARTS CATALOG

FIG ITEM	PART NUMBER	NOMENCLATURE 1 2 3 4 5 6 7	USABLE ON CODE	UNITS PER ASSY
06				
338	NAS516-1A	. . . FITTING-LUBRICATION SERVICE BULLETIN: SB2572	FE	1
340	MS16624-1075	. . RING-RETAINER	FE	1
342	NAS1149F1232P	. . WASHER	FE	1
344	MS9048-072	. . PIN-ROLL SPRING ALTERNATE SPARE: MS171499	FE	1
346	MS171499	. . PIN-ROLL SPRING ALTERNATE SPARE: MS9048-072	FE	1
348	101-514179-7	. . PIN	FE	1
350	101-514179-9	. . ADAPTER	FE	1
352	101-514196-1	. . HANDLE	FE	1
354	101-514179-5	. . SHAFT	FE	1
356	99-384000-27	. . PLUG ASSY-LOCKSET	FE	1
358	101-514112-5	. . SUPPORT ASSY ATTACHING PARTS	FE	1
360	MS24693-C273	. . SCREW FOR SPARES ORDER: NASM24693-C273	FE	3
360	NASM24693-C273	. . SCREW SPARES REPLACEMENT FOR: MS24693-C273 -----*	FE	3
362	101-514112-7	. . . FITTING	FE	1
364	B538ZZ	. . . BEARING FOR SPARES ORDER: MS27646-38	FE	1
364	MS27646-38	. . . BEARING SPARES REPLACEMENT FOR: B538ZZ	FE	1
366	MS28775-114	. . PACKING-PREFORMED	FE	1
368	100951S032XL	. . WASHER ALTERNATE SPARE: 100951S016XL	FE	AR
370	100951S016XL	. . WASHER ALTERNATE SPARE: 100951S032XL	A	AR
372	MS27039-1-14	. . SCREW	FE	3
374	NAS1149F0332P	. . WASHER	FE	3
376	130909N29	. . NUT	FE	3
378	101-514164-1	. . DRUM-CABLE	FE	1
380	101-514113-25	. . ARM ASSY FOR SPARES ORDER: 101-514113-37	FE	1
380	101-514113-37	. . ARM ASSY SPARES REPLACEMENT FOR: 101-514113-25	FE	1
384	101-514113-27	. . . WELD ASSY FOR SPARES ORDER: 101-514113-35	FE	1
384	101-514113-35	. . . WELD ASSY SPARES REPLACEMENT FOR: 101-514113-27	FE	1

MISSING ITEM NO. NOT APPLICABLE

- ITEM NOT ILLUSTRATED

52-10-00-06

PAGE 7
AUG 01/19

Beechcraft Corporation

MODEL 1900C AIRLINER ILLUSTRATED PARTS CATALOG

FIG ITEM	PART NUMBER	NOMENCLATURE 1 2 3 4 5 6 7	USABLE ON CODE	UNITS PER ASSY
06				
388	101-514113-21	. . . ACTUATOR	FE	1
390	MS20219A2	. . PULLEY	FE	2
		ATTACHING PARTS		
392	AN4-25A	. . BOLT	FE	2
		FOR SPARES ORDER: NASM4-25A		
392	NASM4-25A	. . BOLT	FE	2
		SPARES REPLACEMENT FOR: AN4-25A		
394	NAS1149F0432P	. . WASHER	FE	2
396	101-514121-9	. . SPACER	FE	1
398	101-514121-15	. . SPACER	FE	1
400	101-514121-17	. . SPACER	FE	1
402	NAS1149F0463P	. . WASHER	FE	AR
		-----*-----		
-404	114-514066-1	. . COVER ASSY	FE	1
		ATTACHING PARTS		
406	MS27039-1-17	. . SCREW	FE	6
408	NAS1149F0332P	. . WASHER	FE	6
		-----*-----		
410	101-514067-1	. . . SUPPORT ASSY-BEARING	FE	1
-412	MS21069L3	. . . NUTPLATE	FE	9
414	114-514066-3	. . . COVER	FE	1
-416	101-514115-7	. . LOCK ASSY-DOOR HANDLE	F	1
		SAFETY LATCH FOR SPARES ORDER: 129-514127-5		
-416	101-514115-13	. . LOCK ASSY-DOOR HANDLE	G	1
		SAFETY LATCH FOR SPARES ORDER: 129-514127-5		
-416	129-514127-5	. . LOCK ASSY-DOOR HANDLE	FE	1
		SAFETY LATCH SPARES REPLACEMENT FOR: 101-514115-7 101-514115-13		
-420	101-514115-11	. . . COVER ASSY	FE	1
		ATTACHING PARTS		
422	AN525-10R8	. . . SCREW	FE	8
		FOR SPARES ORDER: NASM525-10R8		
422	NASM525-10R8	. . . SCREW	FE	8
		SPARES REPLACEMENT FOR: AN525-10R8		
424	AN960PD10	. . . WASHER	FE	8
426	130009-1032	. . . NUT	FE	8
		-----*-----		
428	101-514115-9 COVER	FE	1
430	101-514116-3 BUSHING ASSY	FE	1
432	04DU06 BUSHING	FE	2
434	101-514116-5 BUSHING	FE	1
436	101-514116-1	. . . BOLT	F	1
		FOR SPARES ORDER: 114-514070-1		
		MISSING ITEM NO. NOT APPLICABLE		

- ITEM NOT ILLUSTRATED

52-10-00-06

PAGE 8
AUG 01/19

Beechcraft Corporation

MODEL 1900C AIRLINER ILLUSTRATED PARTS CATALOG

FIG ITEM	PART NUMBER	NOMENCLATURE 1 2 3 4 5 6 7	USABLE ON CODE	UNITS PER ASSY
06				
436	114-514070-1	. . . BOLT SPARES REPLACEMENT FOR: 101-514116-1	F	1
436	114-514070-1	. . . BOLT	G	1
440	AN316-4R	. . . NUT FOR SPARES ORDER: NASM316-4R	FE	1
440	NASM316-4R	. . . NUT SPARES REPLACEMENT FOR: AN316-4R	FE	1
442	111504YZ0200-1.5	. . . SPRING	FE	1
444	50-430024-9	. . . SUPPORT	FE	1
446	50-430026	. . . SEAL	FE	1
448	50-430024-7	. . . SUPPORT	FE	1
450	22NA17K3-048	. . . NUTPLATE-ANCHOR	FE	1
452	50-430168-1	. . . COVER	FE	1
454	MS20392-2C23	. PIN	FE	1
456	NAS1149F0363P	. WASHER	FE	1
458	MS24665-151	. PIN-COTTER	FE	1
460	101-514145-1	. BRACKET ASSY ATTACHING PARTS	FE	1
462	MS27039-1-08	. SCREW	FE	2
464	NAS1149F0363P	. WASHER -----*	FE	2
466	101-514145-3	. . PLATE	FE	1
468	101-514145-5	. . SUPPORT	FE	2
470	101-514146-1	. ROD ASSY FOR SPARES ORDER: 101-514146-13	FE	1
470	101-514146-13	. ROD ASSY SPARES REPLACEMENT FOR: 101-514146-1 ATTACHING PARTS	FE	1
472	MS20392-2C19	. PIN	FE	1
474	NAS1149F0363P	. WASHER	FE	1
476	MS24665-151	. PIN-COTTER -----*	FE	1
-478	114-514032-1	. ROD ASSY ATTACHING PARTS	FE	1
480	130909B40	. BOLT	FE	1
482	130909B84	. BOLT	FE	1
484	NAS1149F0463P	. WASHER	FE	1
486	NAS1149F0432P	. WASHER	FE	1
488	130909N32	. NUT -----*	FE	2
490	DREM4-050	. . ROD END ATTACHING PARTS	FE	1
492	22TWA3824	. . JAM NUT -----*	FE	1
494	114-514032-7	. . ROD END	FE	1
496	114-514032-3	. . ROD	FE	1
-498	114-514025-1	. HANDLE INSTL-INSIDE AIRSTAIR DOOR	FE	RF

MISSING ITEM NO. NOT APPLICABLE

- ITEM NOT ILLUSTRATED

52-10-00-06

PAGE 9
AUG 01/19

Beechcraft Corporation

MODEL 1900C AIRLINER ILLUSTRATED PARTS CATALOG

FIG ITEM	PART NUMBER	NOMENCLATURE 1 2 3 4 5 6 7	USABLE ON CODE	UNITS PER ASSY
06				
500	101-384096-1	. . HANDLE-INSIDE CABIN DOOR PRE SERVICE BULLETIN: MTB-52-01	FE	1
500	101-384096-0003	. . HANDLE ASSY-INSIDE CABIN DOOR SERVICE BULLETIN: MTB-52-01 ATTACHING PARTS	FE	1
502	MS24694C7	. . SCREW -----*-----	FE	3
-503	5108-62	. . . RING-RETAINING PRE SERVICE BULLETIN: MTB-52-01	FE	1
-503	MS16624-1062	. . . SNAP RING-SERVICE BULLETIN: MTB-52-01	FE	1
-504	101-514075-1	. . SUPPORT ASSY ATTACHING PARTS	FE	1
506	MS24694-S61	. . SCREW FOR SPARES ORDER: NASM24694-S61	FE	4
506	NASM24694-S61	. . SCREW SPARES REPLACEMENT FOR: MS24694-S61 -----*-----	FE	4
508	101-514153-1	. . . SUPPORT	FE	1
510	B538ZZ	. . . BEARING FOR SPARES ORDER: MS27646-38	FE	1
510	MS27646-38	. . . BEARING SPARES REPLACEMENT FOR: B538ZZ	FE	1
512	130077-5L-01	. . . INSERT	FE	3
514	MS24694-S56	. . SCREW FOR SPARES ORDER: NASM24694-S56	FE	3
514	NASM24694-S56	. . SCREW SPARES REPLACEMENT FOR: MS24694-S56	FE	3
516	114-514026-1	. . ARM ASSY	FE	1
518	101-514061-3	. . DRUM-CABLE	FE	1
-520	101-514075-3	. . SUPPORT ASSY ATTACHING PARTS	FE	1
522	MS24694-S50	. . SCREW FOR SPARES ORDER: NASM24694-S50	FE	1
522	NASM24694-S50	. . SCREW SPARES REPLACEMENT FOR: MS24694-S50	FE	1
524	MS27039-1-11	. . SCREW	FE	2
526	NAS1149F0332P	. . WASHER -----*-----	FE	2
528	B538ZZ	. . . BEARING FOR SPARES ORDER: MS27646-38	FE	1

MISSING ITEM NO. NOT APPLICABLE

- ITEM NOT ILLUSTRATED

52-10-00-06

PAGE 10
AUG 01/19

Beechcraft Corporation

MODEL 1900C AIRLINER ILLUSTRATED PARTS CATALOG

FIG	PART NUMBER	NOMENCLATURE	USABLE ON CODE	UNITS PER ASSY
ITEM		1 2 3 4 5 6 7		
06				
528	MS27646-38	. . . BEARING SPARES REPLACEMENT FOR: B538ZZ	FE	1
-530	101-514152-1	. . . SUPPORT ASSY	FE	1
532	NAS607-3-4 PIN-DOWEL	FE	2
534	130077-5L-01 INSERT	FE	4
536	101-514152-3 SUPPORT	FE	1
-538	101-514027-7	. HOUSING ASSY-LATCH POST ATTACHING PARTS	FE	6
540	NAS1436-08	. PIN-SWAGE LOCKING	FE	2
542	NAS1436-06	. PIN-SWAGE LOCKING	FE	2
544	NAS1080C06	. COLLAR -----*	FE	4
546	101-514031-3	. . BUSHING-ECCENTRIC	FE	1
548	NAS1149F0863P	. . WASHER	FE	1
550	MS9882-14	. . NUT	FE	1
552	NAS1149F1063P	. . WASHER TO ALIGN WITH LATCH	FE	1
554	101-514033-1	. . WASHER TO ALIGN WITH LATCH	FE	AR
556	NAS1149F1032P	. . WASHER TO ALIGN WITH LATCH	FE	AR
558	101-514031-5	. . POST-LATCH, ECCENTRIC	FE	1
560	101-514032-1	. . HOUSING	FE	1
		UC040-UC999	A	
		UC001-UC008	B	
		UC009-UC999	C	
		UC001-UC132	D	
		UC133-UC999	E	
		UC001-UC105	F	
		UC106-UC999	G	
		UC001-UC999	FE	

MISSING ITEM NO. NOT APPLICABLE

- ITEM NOT ILLUSTRATED

52-10-00-06

PAGE 11
AUG 01/19

Beechcraft Corporation

MODEL 1900C AIRLINER ILLUSTRATED PARTS CATALOG

PAGE INTENTIONALLY LEFT BLANK

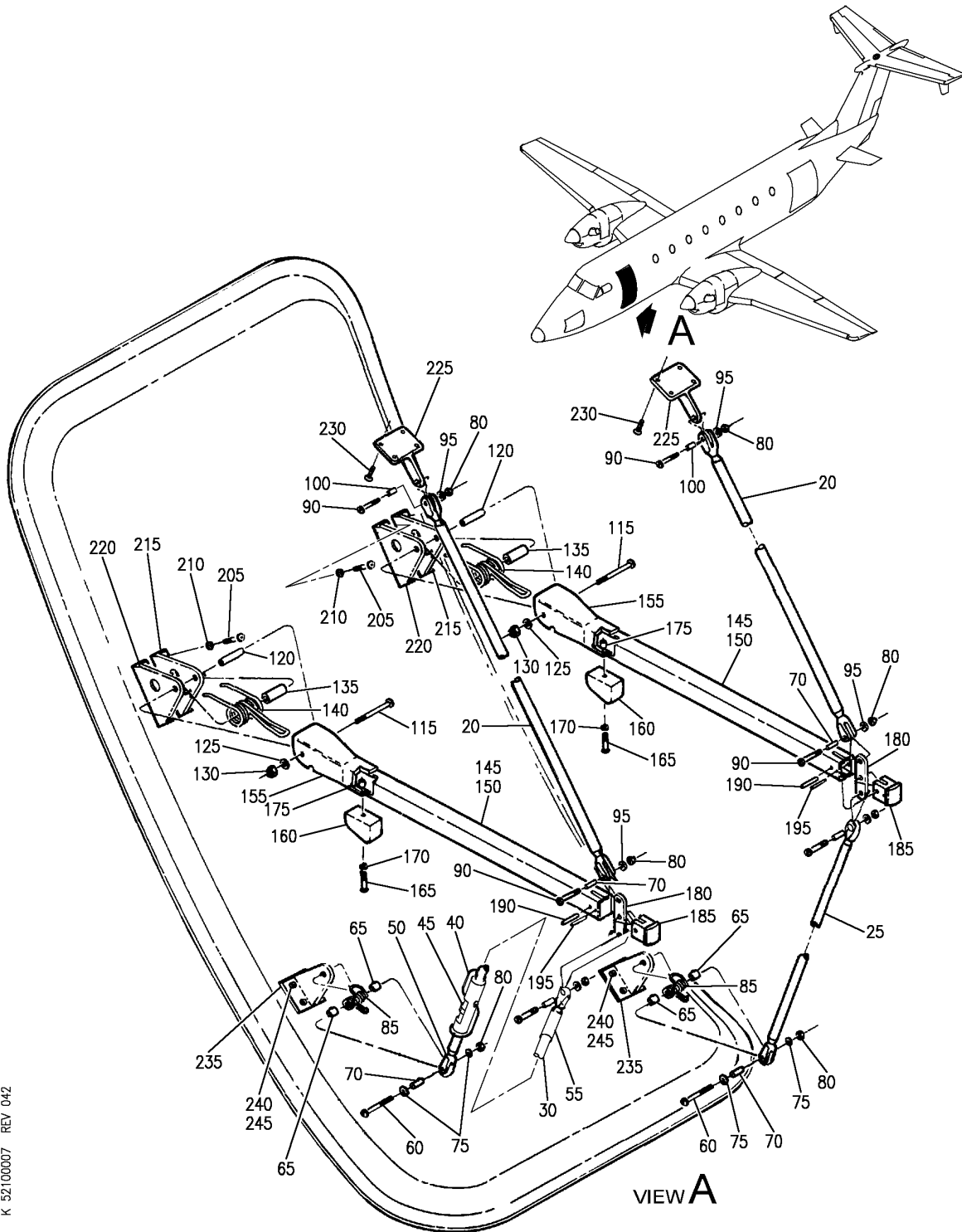
52-10-00-07

AIRSTAIR DOOR HANDRAIL

52-10-00-07

Beechcraft Corporation

MODEL 1900C AIRLINER ILLUSTRATED PARTS CATALOG



K 52100007 REV 042

AIRSTAIR DOOR HANDRAIL

52-10-00-07

PAGE 0
AUG 01/19

Beechcraft Corporation

MODEL 1900C AIRLINER ILLUSTRATED PARTS CATALOG

FIG ITEM	PART NUMBER	NOMENCLATURE 1 2 3 4 5 6 7	USABLE ON CODE	UNITS PER ASSY
07		AIRSTAIR DOOR HANDRAIL HANDRAIL AND DAMPER INSTL FORWARD AIRSTAIR DOOR FOR ADDITIONAL DETAILS SEE: 52-10-00-08	FE	RF
-5	114-514027-1			
-10	100-430060-21	. DAMPENER ASSY SEE CHAPTER 52-10-00-08 FOR SPARES ORDER: 100-430060-25 100-430060-27	A	RF
-10	100-430060-25	. DAMPENER ASSY SEE CHAPTER 52-10-00-08 SPARES REPLACEMENT FOR: 100-430060-21	FE	RF
-10	100-430060-27	. DAMPENER ASSY SEE CHAPTER 52-10-00-08 SPARES REPLACEMENT FOR: 100-430060-21	FE	RF
20	1440-28	. CABLE ASSY-FORWARD AND AFT, FORWARD DOOR ALTERNATE SPARE: 132538-A28	FE	2
20	132538-A28	. CABLE ASSY-FORWARD AND AFT, FORWARD DOOR ALTERNATE SPARE: 1440-28	FE	2
25	1440-30	. CABLE ASSY-AFT ALTERNATE SPARE: 132538-A30	FE	1
25	132538-A30	. CABLE ASSY-AFT ALTERNATE SPARE: 1440-30	FE	1
30	1440-32	. CABLE ASSY-FORWARD PRE KIT 114-4030-1 ALTERNATE SPARE: 132538-A32	C	1
30	132538-A32	. CABLE ASSY-FORWARD PRE KIT 114-4030-1 ALTERNATE SPARE: 1440-32	C	1
30	1440-34	. CABLE ASSY-FORWARD KIT 114-4030-1 ALTERNATE SPARE: 1132538A34	C	1
30	1132538A34	. CABLE ASSY-FORWARD ALTERNATE SPARE: 1440-34	C	1
30	1440-34	. CABLE ASSY-FORWARD ALTERNATE SPARE: 1132538A34	D	1
30	1132538A34	. CABLE ASSY-FORWARD ALTERNATE SPARE: 1440-34	D	1
40	MS21256-1	. CLIP-LOCKING	D	1
45	MS21251B6S	. TURNBUCKLE	D	1
50	MS21252-6LS	. CLEVIS-CABLE END	D	1
MISSING ITEM NO. NOT APPLICABLE				

- ITEM NOT ILLUSTRATED

52-10-00-07

PAGE 1
AUG 01/19

Beechcraft Corporation

MODEL 1900C AIRLINER ILLUSTRATED PARTS CATALOG

FIG ITEM	PART NUMBER	NOMENCLATURE 1 2 3 4 5 6 7	USABLE ON CODE	UNITS PER ASSY
07				
55	114-514027-9	. BOOT-SLIP ATTACHING PARTS	D	1
60	AN525-10R22	. SCREW FOR SPARES ORDER: NASM525-10R22	D	1
60	NASM525-10R22	. SCREW SPARES REPLACEMENT FOR: AN525-10R22	D	1
65	105739X-XA0280	. SPACER	D	2
70	100801X4-0540	. BUSHING	D	1
75	100951X032ZW	. WASHER	D	2
80	22K1-02	. NUT	D	2
85	101-430275-1	. SPRING	D	1
90	AN525-10R14	. SCREW FOR SPARES ORDER: NASM525-10R14	D	2
90	NASM525-10R14	. SCREW SPARES REPLACEMENT FOR: AN525-10R14	D	2
95	AN960-10L	. WASHER ALTERNATE SPARE: NAS1149F0332P	D	2
95	NAS1149F0332P	. WASHER ALTERNATE SPARE: AN960-10L	D	2
100	NAS43HT3-12	. SPACER	D	1
-105	100-430046-27	. POST ASSY-FORWARD HANDRAIL	FE	1
-110	100-430046-29	. POST ASSY-AFT HANDRAIL ATTACHING PARTS	FE	1
115	AN25-34A	. BOLT FOR SPARES ORDER: NASM25-34A	FE	1
115	NASM25-34A	. BOLT SPARES REPLACEMENT FOR: AN25-34A	FE	1
120	NAS73-5-111	. BUSHING	FE	1
125	AN960C516L	. WASHER	FE	1
130	22K1-054	. NUT	FE	1
135	101-514169-1	. BUSHING	FE	1
140	50-430043-1173	. SPRING	FE	1
145	114-514031-1	. . POST-FORWARD FOR SPARES ORDER: 114-514031-3	FE	1
145	114-514031-3	. . POST-FORWARD SPARES REPLACEMENT FOR: 114-514031-1	FE	1
150	114-514031-3	. . POST-AFT	FE	1
155	50-430043-1261	. . COVER	FE	2
160	100-430048	. . STOP ATTACHING PARTS	FE	1
165	AN515-8R18	. . SCREW FOR SPARES ORDER: MS35206-332	FE	1

MISSING ITEM NO. NOT APPLICABLE

- ITEM NOT ILLUSTRATED

52-10-00-07

PAGE 2
AUG 01/19

Beechcraft Corporation

MODEL 1900C AIRLINER ILLUSTRATED PARTS CATALOG

FIG	PART NUMBER	NOMENCLATURE	USABLE ON CODE	UNITS PER ASSY
ITEM		1 2 3 4 5 6 7		
07				
165	MS35206-332	. . SCREW SPARES REPLACEMENT FOR: AN515-8R18	FE	1
170	AN960-8	. . WASHER	FE	1
175	NAS1329A08K75	. . RIVNUT -----*	FE	1
180	100-430049	. . LINK	FE	1
185	50-430021-5	. . CAP ATTACHING PARTS	FE	1
190	MS171591	. . PIN	FE	1
195	MS171534	. . PIN -----*	FE	1
-200	101-514107-17	. SUPPORT ASSY-POST ATTACHING PARTS	FE	2
205	MS27039-1-09	. SCREW	FE	8
210	AN960-10	. WASHER ALTERNATE SPARE: NAS1149F0363P	FE	8
210	NAS1149F0363P	. WASHER ALTERNATE SPARE: AN960-10 -----*	FE	8
215	101-514107-11	. . ANGLE	FE	2
220	101-514107-15	. . CHANNEL	FE	1
225	50-440037-9	. ANCHOR ATTACHING PARTS	FE	2
230	MS24694S52	. SCREW -----*	FE	4
235	101-514108-1	. ANCHOR ATTACHING PARTS	FE	2
240	MS27039-1-10	. SCREW	FE	4
245	AN960-10L	. WASHER ALTERNATE SPARE: NAS1149F0332P	FE	4
245	NAS1149F0332P	. WASHER ALTERNATE SPARE: AN960-10L -----*	FE	4
		UC001-UC007	A	
		UC001-UC089	C	
		UC090-UC999	D	
		UC001-UC999	FE	
		MISSING ITEM NO. NOT APPLICABLE		

- ITEM NOT ILLUSTRATED

52-10-00-07

PAGE 3
AUG 01/19

Beechcraft Corporation

MODEL 1900C AIRLINER ILLUSTRATED PARTS CATALOG

PAGE INTENTIONALLY LEFT BLANK

Beechcraft Corporation

MODEL 1900C AIRLINER ILLUSTRATED PARTS CATALOG

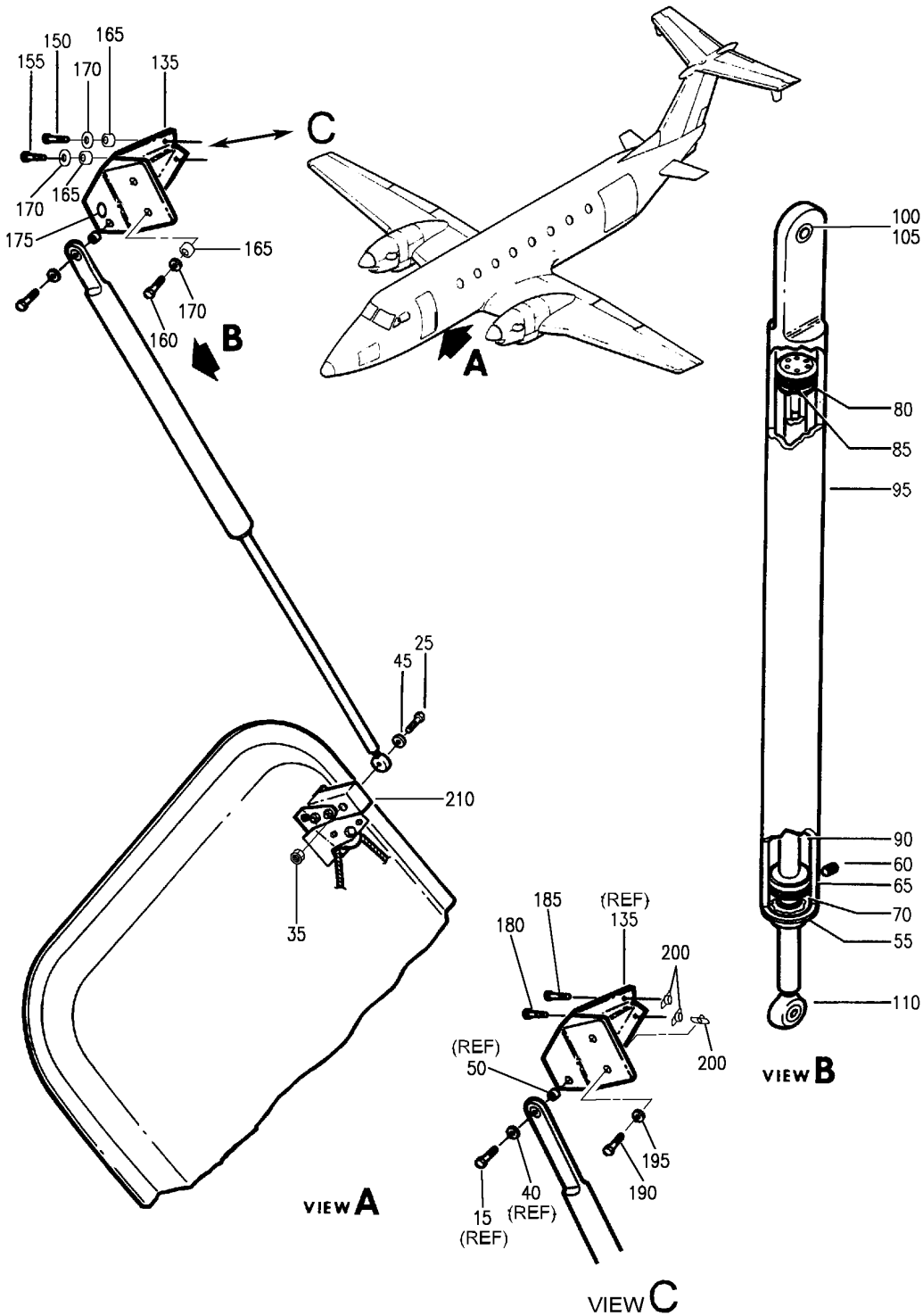
52-10-00-08

AIRSTAIR DOOR DAMPENER

52-10-00-08

Beechcraft Corporation

MODEL 1900C AIRLINER ILLUSTRATED PARTS CATALOG



K 52100008 REV 042

AIRSTAIR DOOR DAMPENER

Beechcraft Corporation

MODEL 1900C AIRLINER ILLUSTRATED PARTS CATALOG

FIG	PART NUMBER	NOMENCLATURE	USABLE ON CODE	UNITS PER ASSY
ITEM		1 2 3 4 5 6 7		
08		AIRSTAIR DOOR DAMPENER HANDRAIL AND DAMPER INSTL SUPPORT AND BRACKET, FWD DOOR FOR ADDITIONAL DETAILS SEE: 52-10-00-07	FE	RF
-5	114-514027-1			
-10	100-430060-25	. DAMPENER ASSY SPARES REPLACEMENT FOR: 100-430060-21	FE	1
-10	100-430060-21	. DAMPENER ASSY FOR SPARES ORDER: 100-430060-25 100-430060-27	A	1
-10	100-430060-27	. DAMPENER ASSY SPARES REPLACEMENT FOR: 100-430060-21	A	1
15	101-514014-3	ATTACHING PARTS . BOLT-UPPER ORDER 114-514027-7 AND/OR 114-514068-19 SUPPORT ASSY IF KIT 114-4031-1 HAS BEEN INSTALLED	C	1
15	114-514027-7	. BOLT-UPPER	D	1
25	130909B36	. BOLT-LOWER	A	1
25	AN4-20A	. BOLT-LOWER FOR SPARES ORDER: NASM4-20A	B	1
25	NASM4-20A	. BOLT SPARES REPLACEMENT FOR: AN4-20A	B	1
35	130909N32	. NUT-LOWER	B	1
40	AN960-416	. WASHER-UPPER ONE WASHER UNDER HEAD OF BOLT AND ONE WASHER BETWEEN DAMPER ASSY AND SUPPORT ALTERNATE SPARE: NAS1149F0463P	FE	2
40	NAS1149F0463P	. WASHER-UPPER ONE WASHER UNDER HEAD OF BOLT AND ONE WASHER BETWEEN DAMPER ASSY AND SUPPORT ALTERNATE SPARE: AN960-416	FE	2
45	AN960-416L	. WASHER-LOWER ALTERNATE SPARE: NAS1149F0432P	FE	AR
45	NAS1149F0432P	. WASHER-LOWER ALTERNATE SPARE: AN960-416L	FE	AR
50	NAS43HT4-16	. SPACER-UPPER	C	2
55	100-430060-3	----- * ----- . . CAP	FE	1

MISSING ITEM NO. NOT APPLICABLE

- ITEM NOT ILLUSTRATED

52-10-00-08

PAGE 1
AUG 01/19

Beechcraft Corporation

MODEL 1900C AIRLINER ILLUSTRATED PARTS CATALOG

FIG	PART NUMBER	NOMENCLATURE	USABLE ON CODE	UNITS PER ASSY
ITEM		1 2 3 4 5 6 7		
08				
60	NAS1081C3D5L	ATTACHING PARTS .. SCREW-SET -----*-----	FE	3
65	AN6227B17	.. PACKING-PREFORMED FOR SPARES ORDER: M83461/1-212	FE	2
65	M83461/1-212	.. PACKING-PREFORMED SPARES REPLACEMENT FOR: AN6227B17	FE	2
70	AN6227B10	.. PACKING-PREFORMED FOR SPARES ORDER: 7112FR160T	A	1
70	7112FR160T	.. SEAL ASSY SPARES REPLACEMENT FOR: AN6227B10	FE	1
80	100-430060-17	.. RING-POPPET	FE	1
85	MS16624-1050	.. RING-RETAINER	FE	1
90	100-430060-11	.. BRAZE ASSY-ROD AND PISTON	FE	1
95	100-430060-13	.. BARREL	FE	1
100	ABT4	.. BEARING ALTERNATE SPARE: MS21233-4	FE	1
105	MS21233-4	.. BEARING ALTERNATE SPARE: ABT4	FE	1
110	ARHT4E	.. ROD END ALTERNATE SPARE: AR4ESS NHNE4J 2DREM4 HMX4	FE	1
110	AR4ESS	.. ROD END ALTERNATE SPARE: ARHT4E NHNE4J 2DREM4 HMX4	FE	1
110	NHNE4J	.. ROD END ALTERNATE SPARE: ARHT4E AR4ESS 2DREM4 HMX4	FE	1
110	2DREM4	.. ROD END ALTERNATE SPARE: ARHT4E AR4ESS NHNE4J HMX4	FE	1
110	HMX4	.. ROD END ALTERNATE SPARE: ARHT4E AR4ESS NHNE4J 2DREM4	FE	1

MISSING ITEM NO. NOT APPLICABLE

- ITEM NOT ILLUSTRATED

52-10-00-08

PAGE 2
AUG 01/19

Beechcraft Corporation

MODEL 1900C AIRLINER ILLUSTRATED PARTS CATALOG

FIG ITEM	PART NUMBER	NOMENCLATURE 1 2 3 4 5 6 7	USABLE ON CODE	UNITS PER ASSY
08	135 114-514068-1	. SUPPORT ASSY-UPPER ORDER 114-514027-7 BOLT AND/OR 114-514068-19 SUPPORT ASSY IF KIT 114-4031-1 HAS BEEN INSTALLED	C	1
	135 114-514068-9	. SUPPORT ASSY-UPPER FOR SPARES ORDER: 114-514068-19	E	1
	135 114-514068-19	. SUPPORT ASSY-UPPER SPARES REPLACEMENT FOR: 114-514068-9	D	1
	135 114-514068-27	. SUPPORT ASSY-UPPER KIT 114-4047-1 ATTACHING PARTS	FE	1
	150 MS27039-1-14	. SCREW	FE	2
	155 MS27039-1-15	. SCREW	FE	2
	160 MS24694C55	. SCREW	FE	2
	165 NAS42HT6-16	. SPACER	C	4
	170 AN960-10L	. WASHER ALTERNATE SPARE: NAS1149F0332P	FE	4
	170 NAS1149F0332P	. WASHER ALTERNATE SPARE: AN960-10L -----*	FE	4
	175 130077-7L-01	. . INSERT ATTACHING PARTS	C	1
	180 MS27039-1-15	. . SCREW KIT 114-4047	FE	2
	185 MS27039-1-14	. . SCREW KIT 114-4047	FE	2
	190 MS24694C100	. . SCREW KIT 114-4047	FE	2
	195 NAS1169C416	. . WASHER KIT 114-4047	FE	2
	200 MS21075L4	. . NUTPLATE KIT 114-4047 -----*	FE	6
	-205 MS21209F4-15	. INSERT	D	1
	210 114-514028-13	. BRACKET ASSY-LOWER SEE CHAPTER 52-10-00-06 UC001-UC008 UC009-UC999 UC001-UC074 UC075-UC999 UC075-UC094 UC001-UC999	FE	1
		UC001-UC008 UC009-UC999 UC001-UC074 UC075-UC999 UC075-UC094 UC001-UC999	A B C D E FE	
		MISSING ITEM NO. NOT APPLICABLE		

- ITEM NOT ILLUSTRATED

52-10-00-08

PAGE 3
AUG 01/19

Beechcraft Corporation

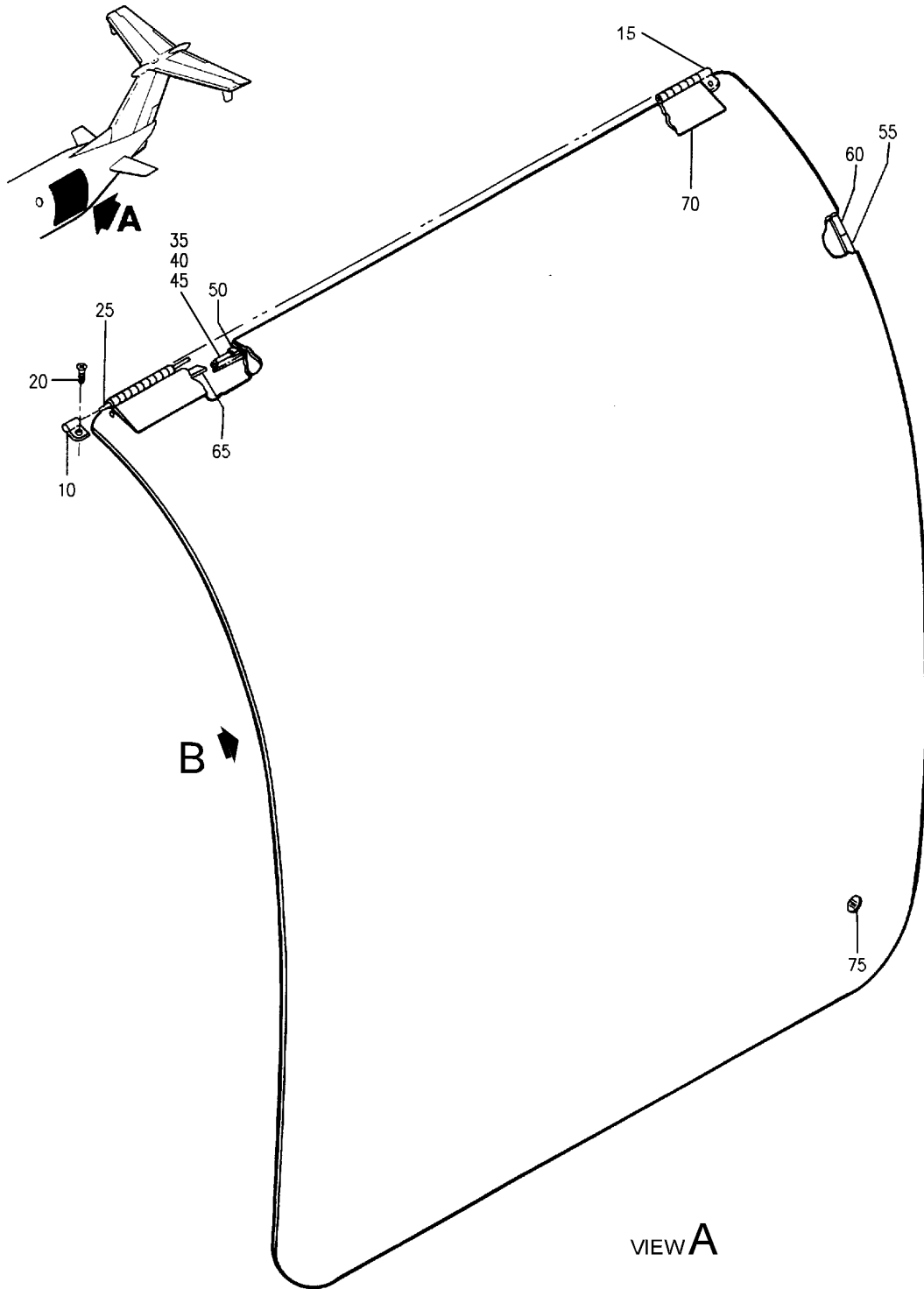
MODEL 1900C AIRLINER ILLUSTRATED PARTS CATALOG

PAGE INTENTIONALLY LEFT BLANK

52-11-00-04

CARGO DOOR

Beechcraft Corporation
MODEL 1900C AIRLINER ILLUSTRATED PARTS CATALOG



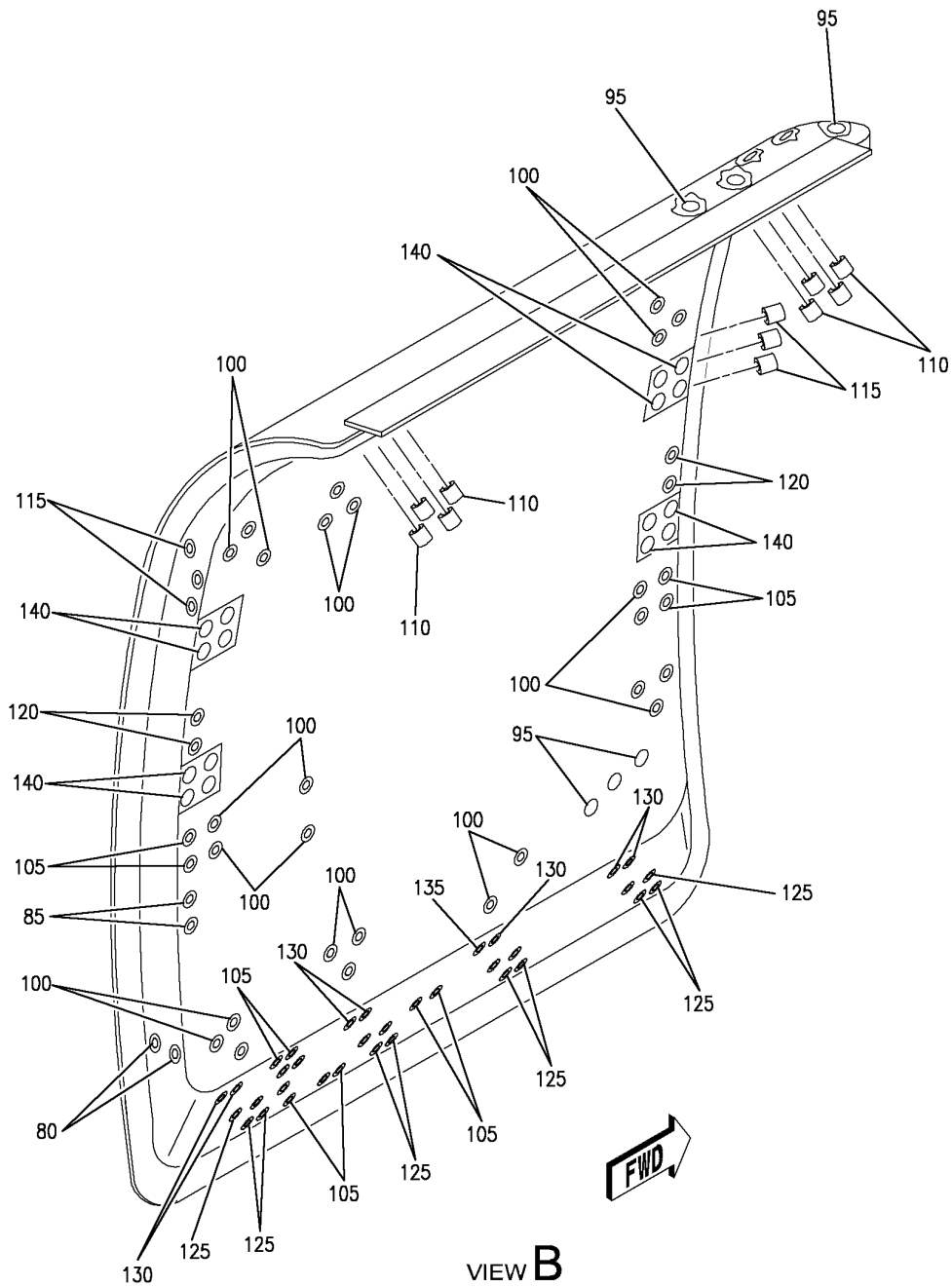
K 52110004 SH1 1 REV 042

CARGO DOOR
SHEET 1 OF 2

52-11-00-04
PAGE 0
AUG 01/19

Beechcraft Corporation

MODEL 1900C AIRLINER ILLUSTRATED PARTS CATALOG



K 52110004 SHT. 2 REV 042

CARGO DOOR
SHEET 2 OF 2

Beechcraft Corporation

MODEL 1900C AIRLINER ILLUSTRATED PARTS CATALOG

PAGE INTENTIONALLY LEFT BLANK

Beechcraft Corporation

MODEL 1900C AIRLINER ILLUSTRATED PARTS CATALOG

FIG ITEM	PART NUMBER	NOMENCLATURE 1 2 3 4 5 6 7	USABLE ON CODE	UNITS PER ASSY
04		CARGO DOOR		
-5	114-400029-1	DOOR INSTL-CARGO	FE	RF
10	101-430195-5	. RETAINER-HINGE PIN FORWARD	FE	1
15	101-430195-6	. RETAINER-HINGE PIN AFT	FE	1
20	MS24693-S274	ATTACHING PARTS . SCREW	FE	1
20	NASM24693-S274	FOR SPARES ORDER: NASM24693-S274 . SCREW	FE	1
		SPARES REPLACEMENT FOR: MS24693-S274 -----*		
25	101-430139-3	. PIN-HINGE	FE	1
-30	114-430109-1	. DOOR ASSY	FE	1
35	101-430140-71	. . SEAL ASSY	FE	1
40	101-430140-61	. . . SEAL	FE	1
45	101-430140-69	. . . SPLICE-SEAL	FE	1
50	101-430140-65	. . RETAINER-SEAL, UPPER AND LOWER	FE	2
55	101-430140-67	. . RETAINER-SEAL, FORWARD AND AFT	FE	2
60	101-430140-64	. . RETAINER-SEAL, UPPER FORWARD AND LOWER AFT	FE	2
65	101-430140-63	. . RETAINER-SEAL, UPPER AFT AND LOWER FORWARD	FE	2
70	101-430197-7	. . HINGE-HALF	FE	1
75	114-430109-21	. . WINDOW	FE	1
80	NAS1329A3KB80	. . RIVNUT	FE	2
85	NAS1329C3KB80	. . RIVNUT	FE	2
-90	114-430109-3	. . BOND ASSY-DOOR	FE	1
95	8S	. . . WELLNUT	FE	8
100	495SE1032-10-2	. . . INSERT	FE	26
105	495SE1032-10-4	. . . INSERT	FE	14
110	495SE1032-16-5	. . . INSERT	FE	8
115	495SE1032-14-2	. . . INSERT	FE	6
120	495SE1032-16-4	. . . INSERT	FE	4
125	495SE524-10-4	. . . INSERT	FE	16
130	101-430140-89	. . . INSERT ASSY	FE	7
135	101-430140-93	. . . INSERT ASSY	FE	1
140	101-430140-103	. . . FILLER ASSY	FE	16
		UC001-UC999	FE	

MISSING ITEM NO. NOT APPLICABLE

- ITEM NOT ILLUSTRATED

52-11-00-04

PAGE 1
AUG 01/19

Beechcraft Corporation

MODEL 1900C AIRLINER ILLUSTRATED PARTS CATALOG

PAGE INTENTIONALLY LEFT BLANK

Beechcraft Corporation

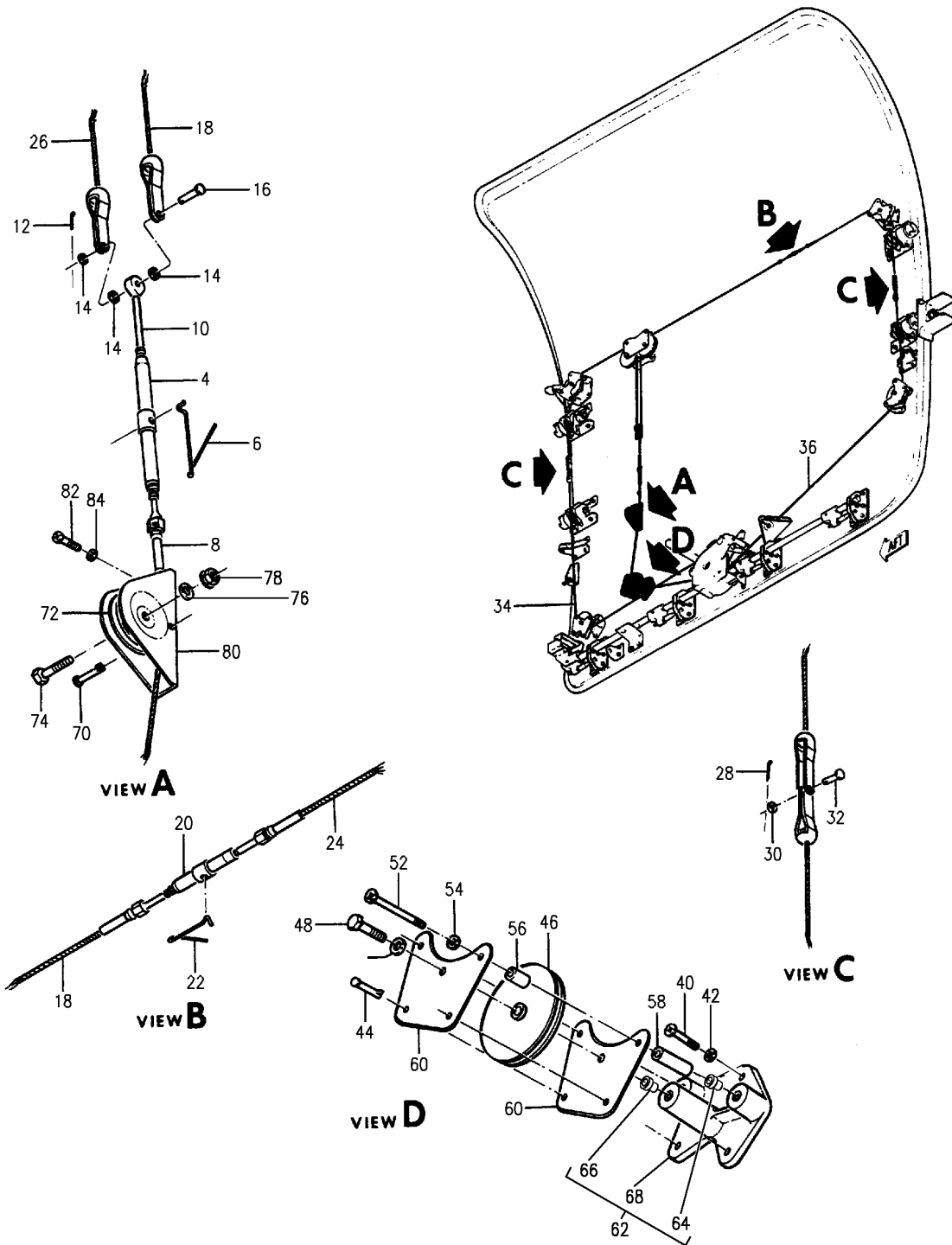
MODEL 1900C AIRLINER ILLUSTRATED PARTS CATALOG

52-11-00-05

CARGO DOOR LATCH MECHANISM

Beechcraft Corporation

MODEL 1900C AIRLINER ILLUSTRATED PARTS CATALOG

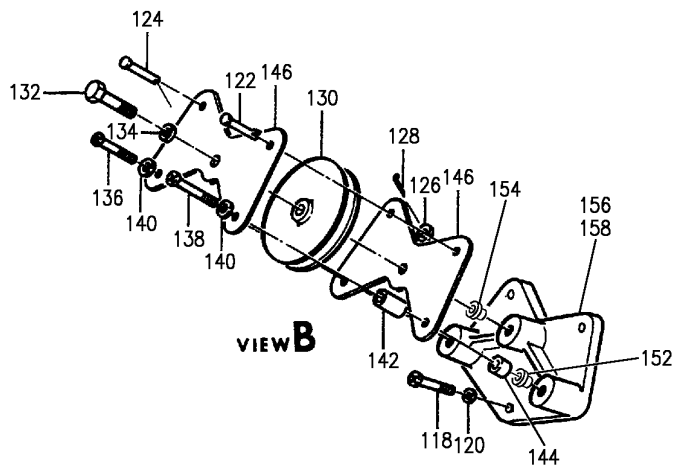
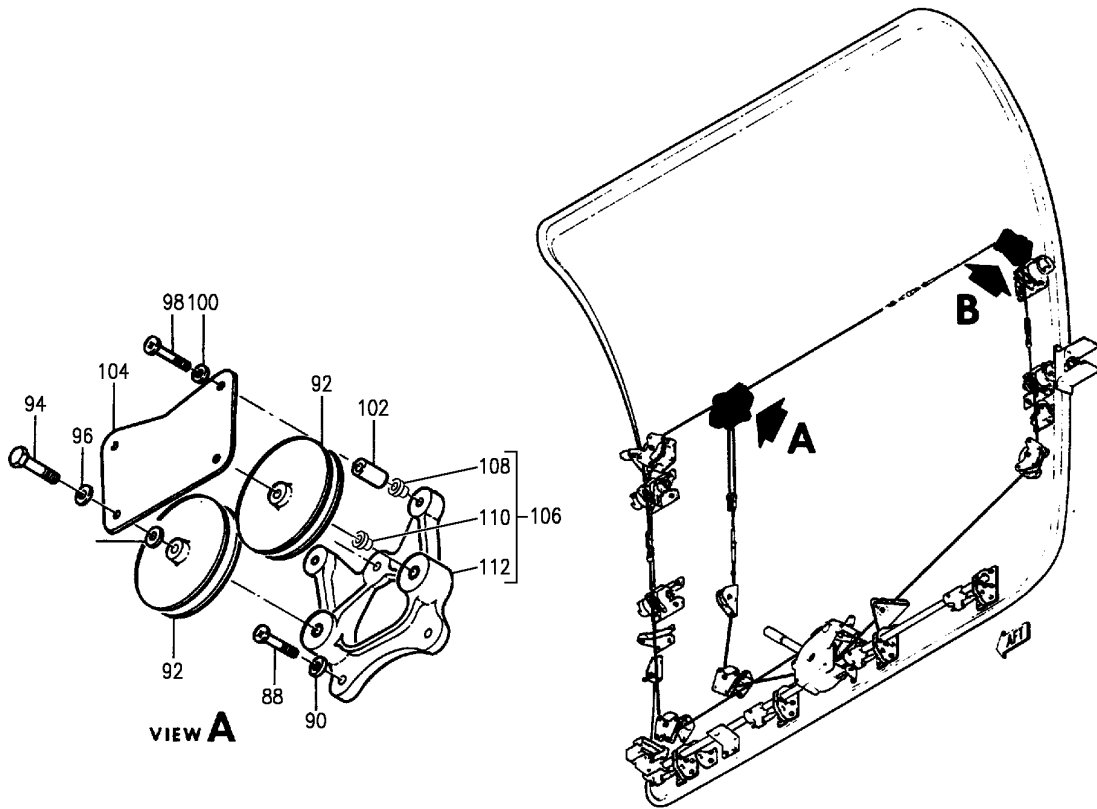


K 52110005 SH1 1 REV 042

CARGO DOOR LATCH MECHANISM
SHEET 1 OF 9

Beechcraft Corporation

MODEL 1900C AIRLINER ILLUSTRATED PARTS CATALOG



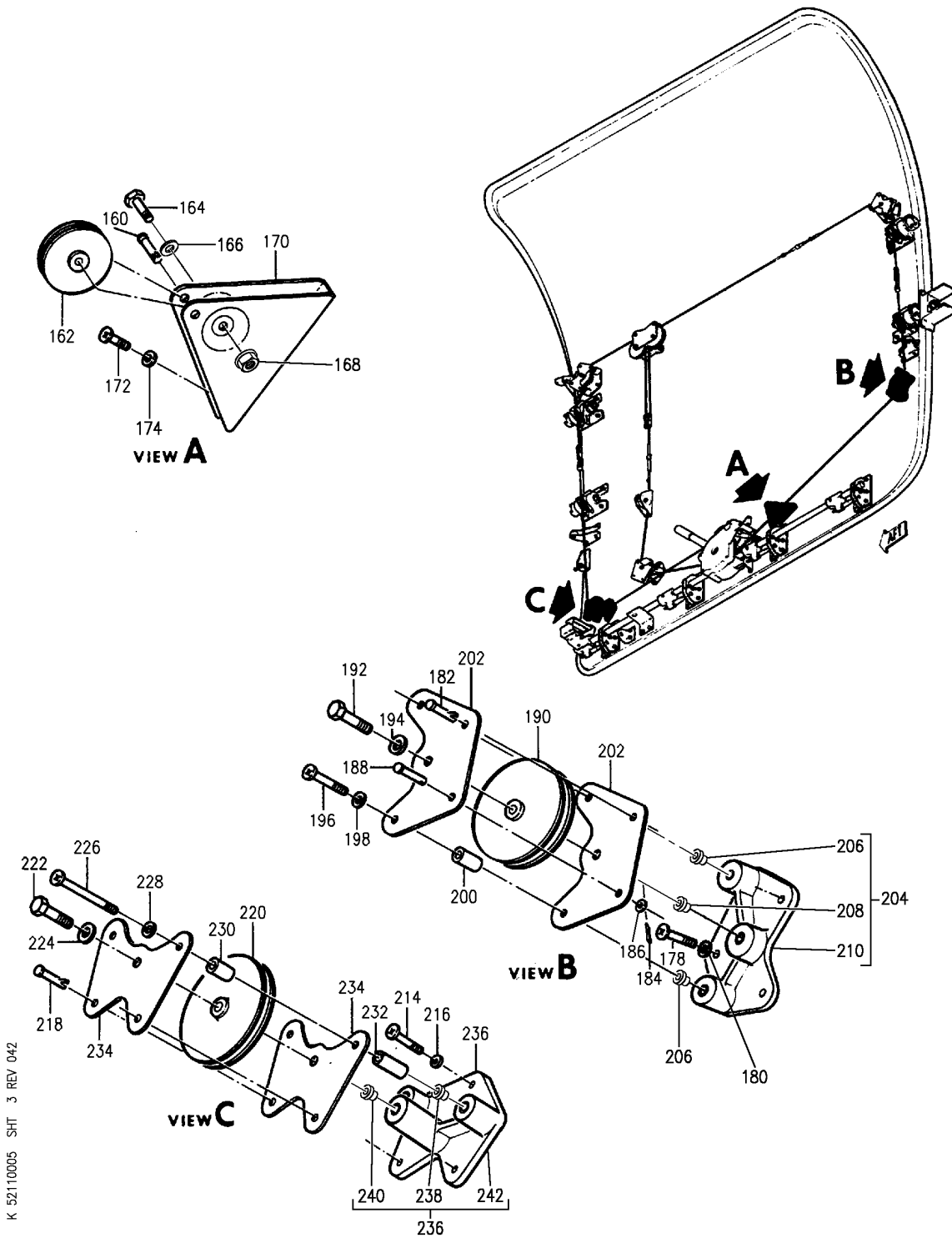
K 52110005 SH1 2 REV 042

CARGO DOOR LATCH MECHANISM
SHEET 2 OF 9

52-11-00-05
PAGE 0A
AUG 01/19

Beechcraft Corporation

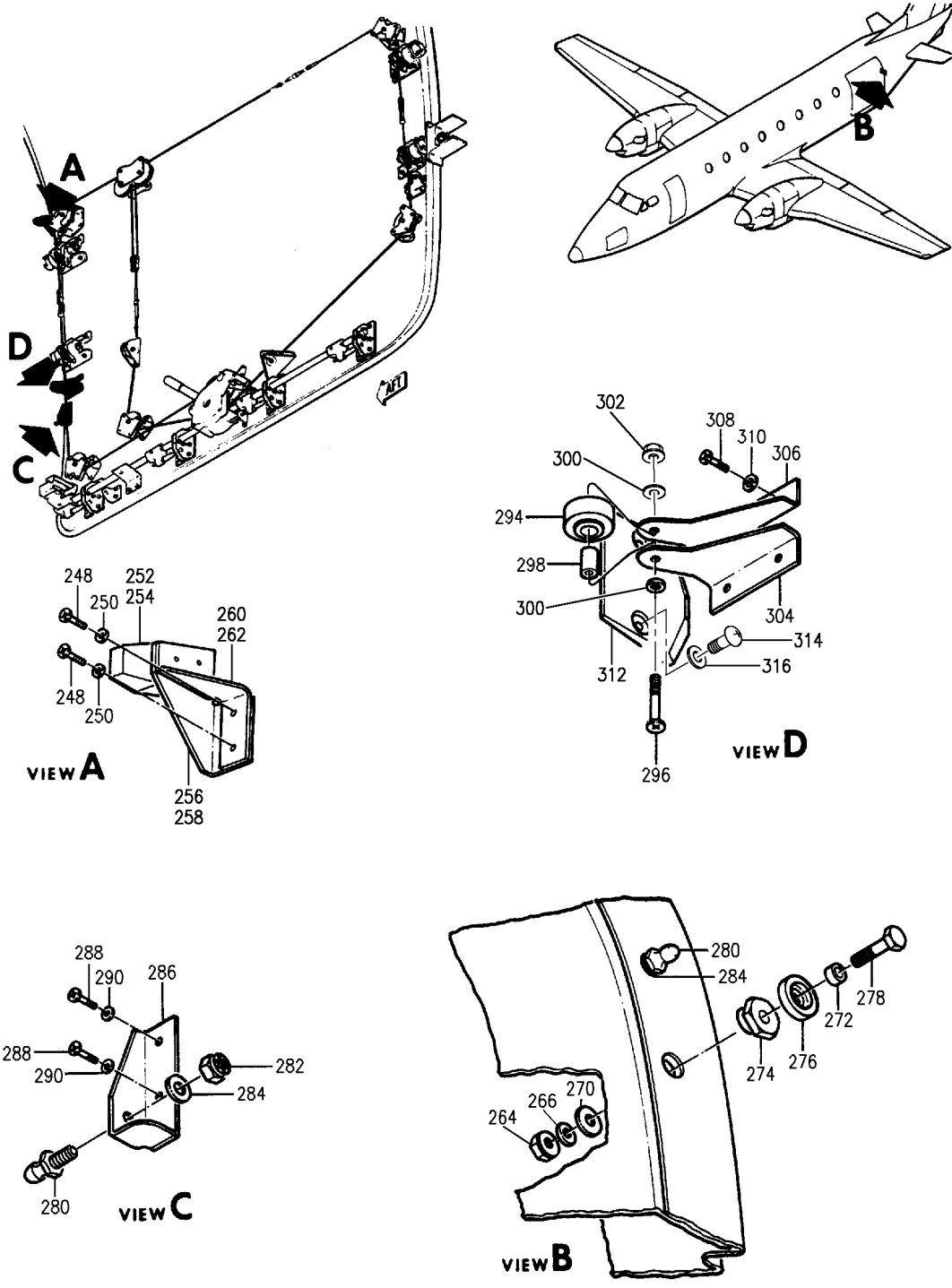
MODEL 1900C AIRLINER ILLUSTRATED PARTS CATALOG



CARGO DOOR LATCH MECHANISM
SHEET 3 OF 9

Beechcraft Corporation

MODEL 1900C AIRLINER ILLUSTRATED PARTS CATALOG

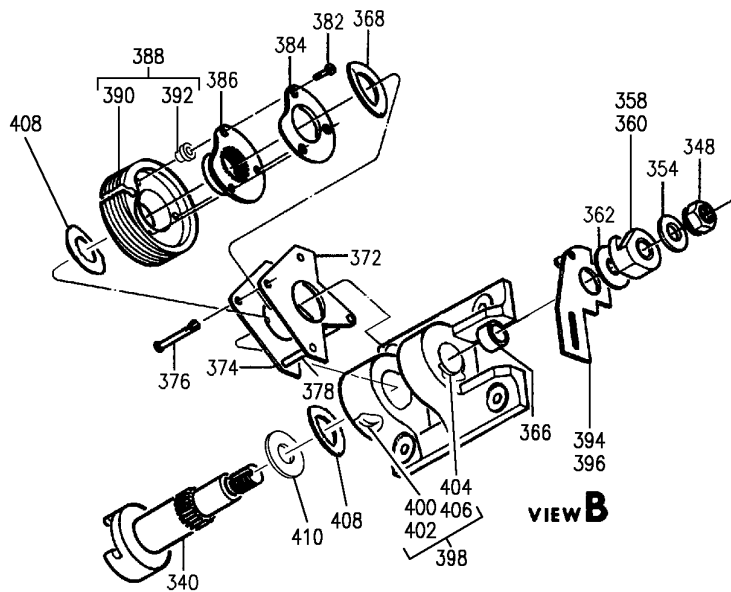
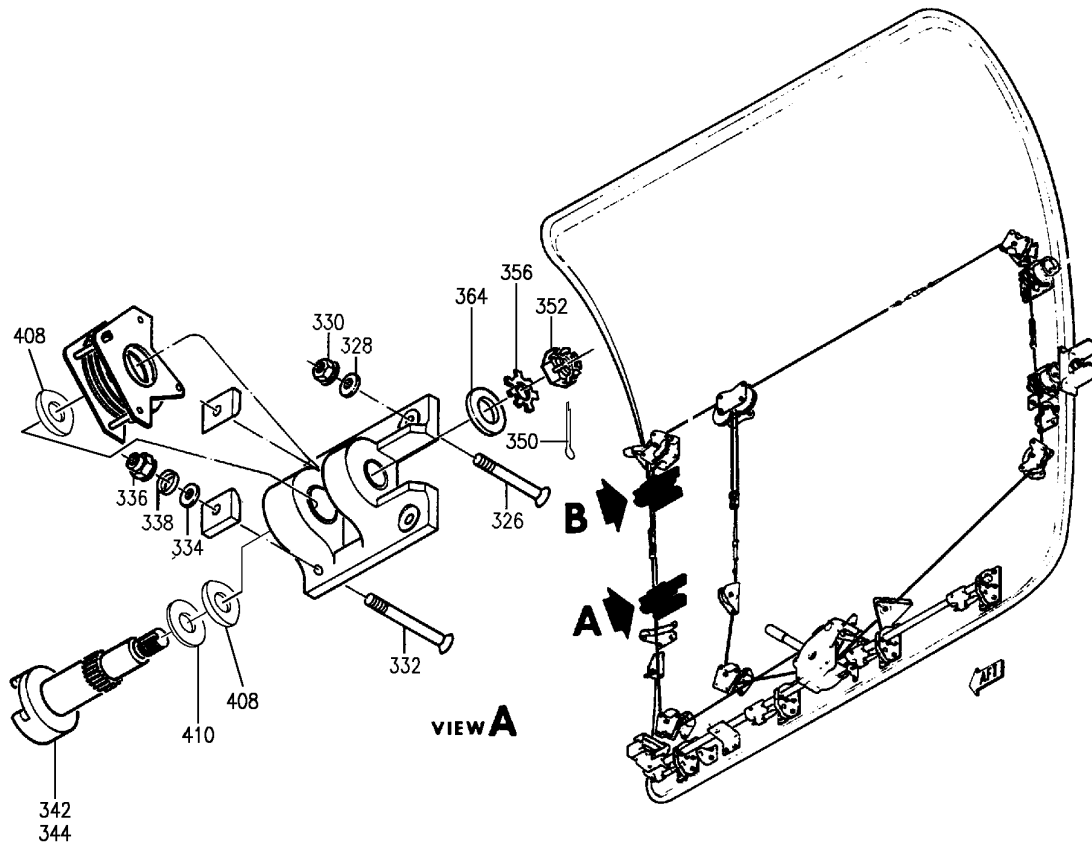


K 52110005 SH- 4 REV 042

CARGO DOOR LATCH MECHANISM
SHEET 4 OF 9

Beechcraft Corporation

MODEL 1900C AIRLINER ILLUSTRATED PARTS CATALOG

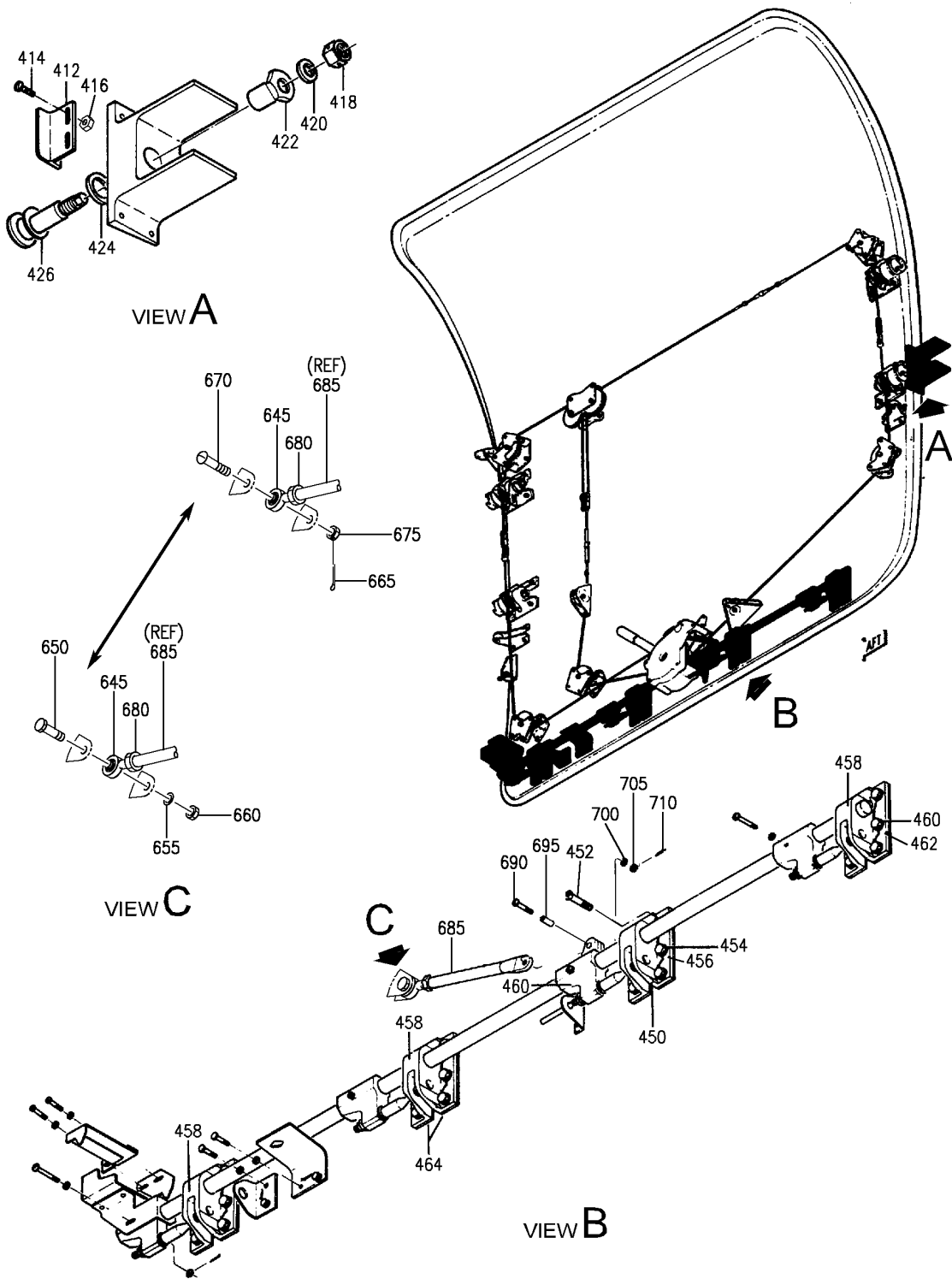


UC-52110005-05-AA

CARGO DOOR LATCH MECHANISM
SHEET 5 OF 9

Beechcraft Corporation

MODEL 1900C AIRLINER ILLUSTRATED PARTS CATALOG

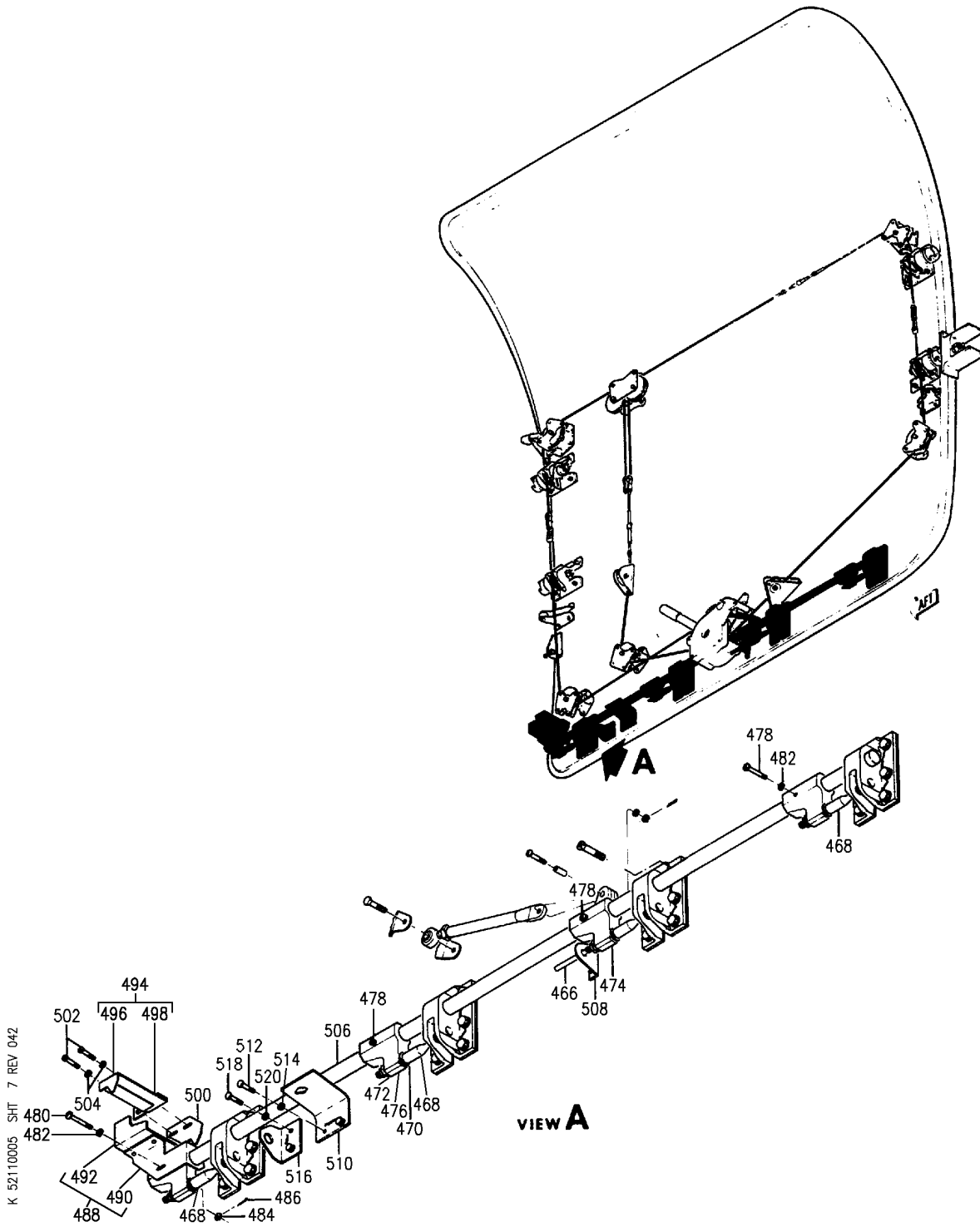


K 52110005 SH1 6 REV 042

CARGO DOOR LATCH MECHANISM
SHEET 6 OF 9

Beechcraft Corporation

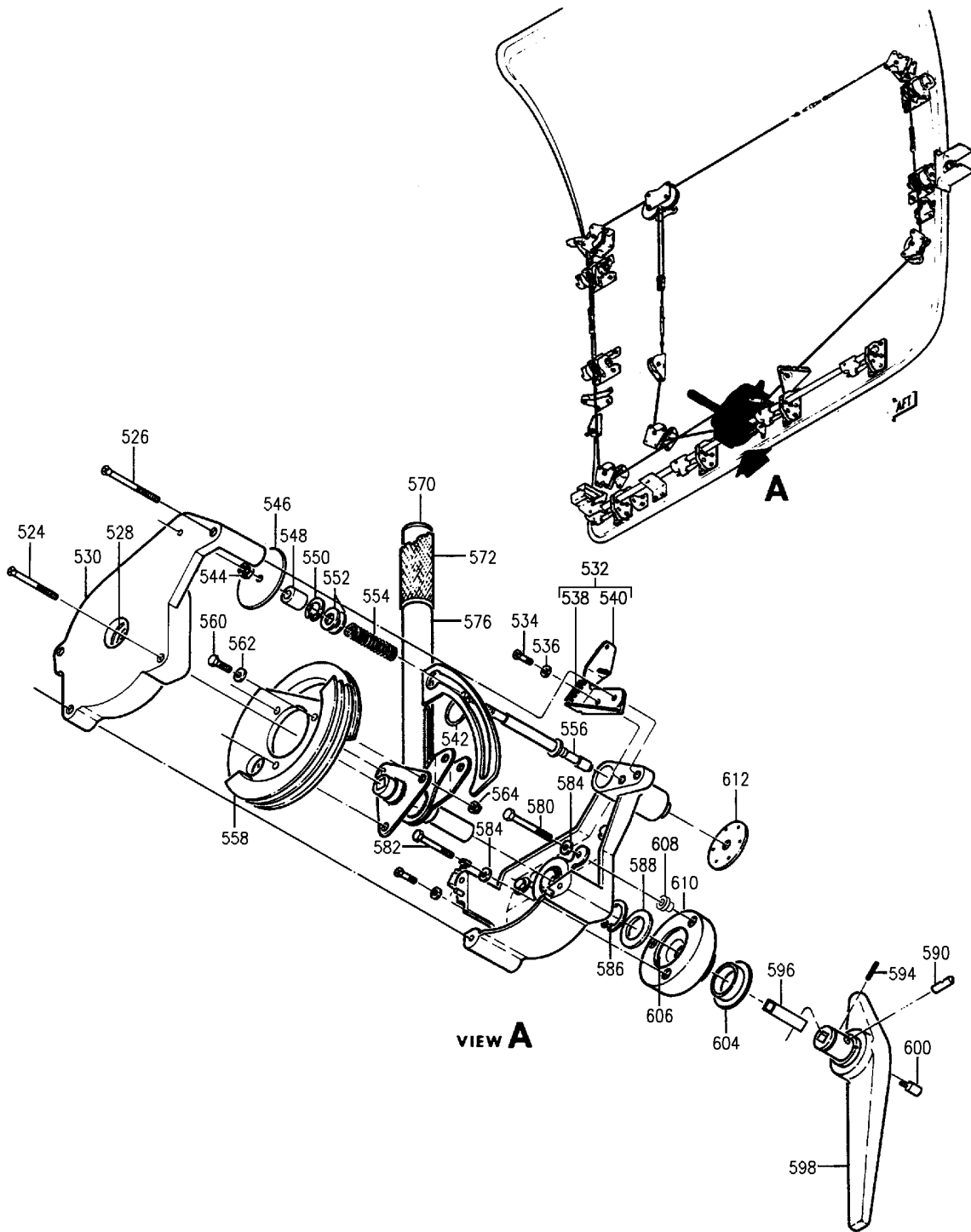
MODEL 1900C AIRLINER ILLUSTRATED PARTS CATALOG



K 52110005 SH7 7 REV 042

CARGO DOOR LATCH MECHANISM
SHEET 7 OF 9

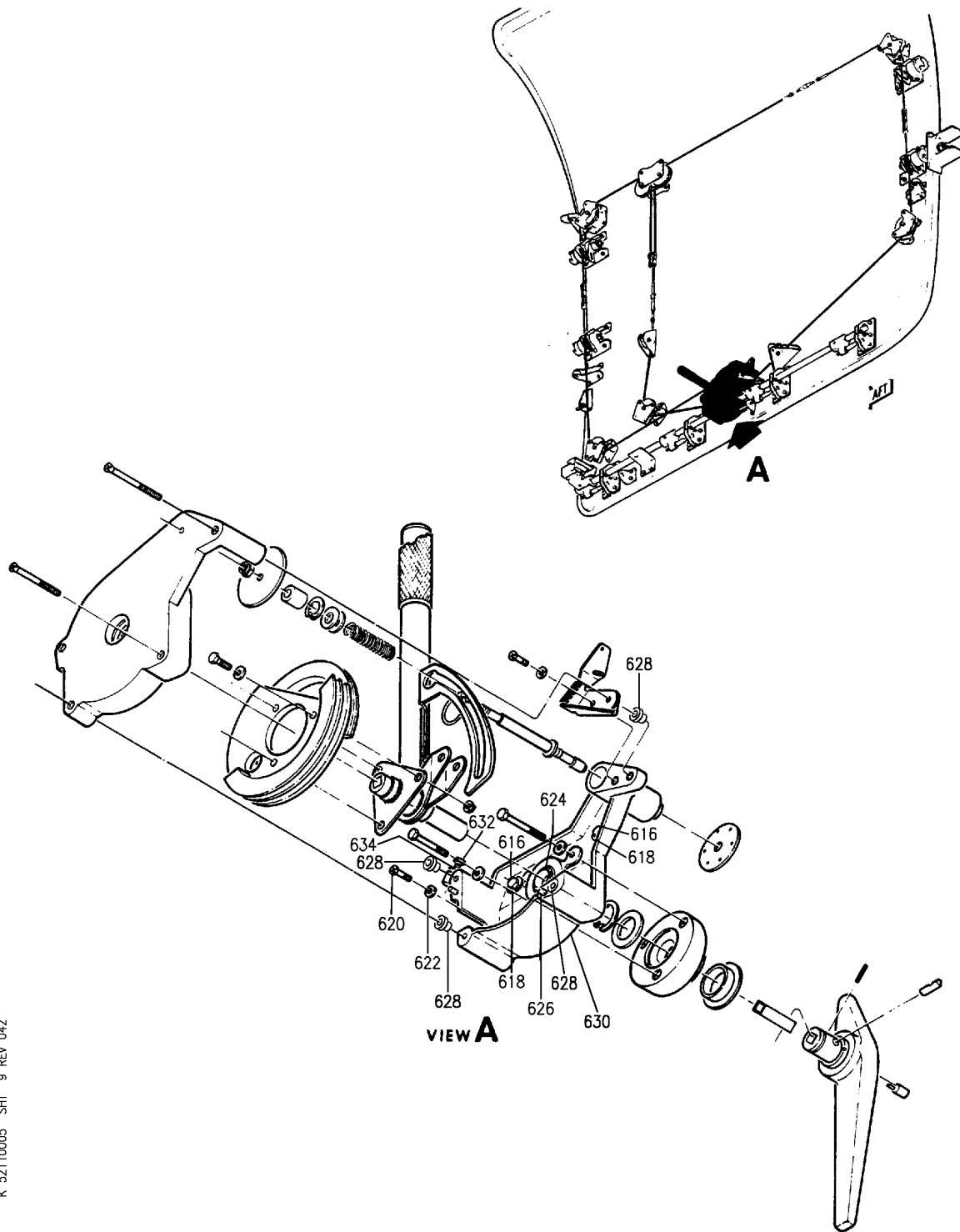
Beechcraft Corporation
MODEL 1900C AIRLINER ILLUSTRATED PARTS CATALOG



K 52110005 SHT. 8 REV 042

CARGO DOOR LATCH MECHANISM
SHEET 8 OF 9

Beechcraft Corporation
MODEL 1900C AIRLINER ILLUSTRATED PARTS CATALOG



K 52110005 SH1 9 REV 042

CARGO DOOR LATCH MECHANISM
SHEET 9 OF 9

52-11-00-05
PAGE 0H
AUG 01/19

Beechcraft Corporation

MODEL 1900C AIRLINER ILLUSTRATED PARTS CATALOG

FIG ITEM	PART NUMBER	NOMENCLATURE 1 2 3 4 5 6 7	USABLE ON CODE	UNITS PER ASSY
05		CARGO DOOR LATCH MECHANISM		
-2	114-514001-3	MECHANISM INSTL-LATCH, CARGO DOOR	FE	RF
4	MS21251B3L	. TURNBUCKLE	FE	1
6	MS21256-2	. CLIP-TURNBUCKLE	FE	2
8	114-514045-5	. CABLE ASSY	FE	1
10	MS21254-3LS	. EYE	FE	1
		ATTACHING PARTS		
12	MS24665-151	. PIN-COTTER	FE	1
14	AN960-10	. WASHER	FE	3
		ALTERNATE SPARE: NAS1149F0363P		
14	NAS1149F0363P	. WASHER	FE	3
		ALTERNATE SPARE: AN960-10		
16	MS20392-2C19	. PIN	FE	1
		----- * -----		
18	114-514045-7	. CABLE ASSY	FE	1
20	MS21251B3S	. TURNBUCKLE	FE	1
22	MS21256-1	. CLIP-TURNBUCKLE	FE	2
24	114-514045-1	. CABLE ASSY	FE	1
26	114-514045-9	. CABLE ASSY	FE	1
28	MS24665-151	. PIN-COTTER	FE	2
30	AN960-10L	. WASHER	FE	2
		ALTERNATE SPARE: NAS1149F0332P		
30	NAS1149F0332P	. WASHER	FE	2
		ALTERNATE SPARE: AN960-10L		
32	MS20392-2C7	. PIN	FE	2
34	114-514045-11	. CABLE ASSY	FE	1
36	114-514045-3	. CABLE ASSY	FE	1
-38	114-514038-1	. BRACKET ASSY-PULLEY	FE	1
		ATTACHING PARTS		
40	MS27039-1-11	. SCREW	FE	3
42	AN960-10L	. WASHER	FE	3
		ALTERNATE SPARE: NAS1149F0332P		
42	NAS1149F0332P	. WASHER	FE	3
		ALTERNATE SPARE: AN960-10L		
		----- * -----		
44	NAS427K9	. . PIN-CABLE GUARD	FE	2
46	MS20219-4	. . PULLEY	FE	1
		ATTACHING PARTS		
48	130909B38	. . BOLT	FE	1
50	AN960-416	. . WASHER	FE	1
		ALTERNATE SPARE: NAS1149F0463P		
50	NAS1149F0463P	. . WASHER	FE	1
		ALTERNATE SPARE: AN960-416		
		----- * -----		
52	MS27039-1-31	. . SCREW	FE	2

MISSING ITEM NO. NOT APPLICABLE

- ITEM NOT ILLUSTRATED

52-11-00-05

PAGE 1
AUG 01/19

Beechcraft Corporation

MODEL 1900C AIRLINER ILLUSTRATED PARTS CATALOG

FIG ITEM	PART NUMBER	NOMENCLATURE 1 2 3 4 5 6 7	USABLE ON CODE	UNITS PER ASSY
05				
54	AN960-10L	. . WASHER ALTERNATE SPARE: NAS1149F0332P	FE	2
54	NAS1149F0332P	. . WASHER ALTERNATE SPARE: AN960-10L	FE	2
56	NAS43DD3-28	. . SPACER	FE	2
58	NAS43DD3-64	. . SPACER	FE	2
60	114-514044-1	. . COVER	FE	2
62	114-514038-3	. . BRACKET ASSY	FE	1
64	130077-5L-01	. . . INSERT	FE	2
66	130077-7L-01	. . . INSERT	FE	1
68	114-514038-5	. . . BRACKET	FE	1
70	NAS427K11	. PIN-CABLE GUARD	FE	1
72	MS20219-2	. PULLEY ATTACHING PARTS	FE	1
74	130909B38	. BOLT	FE	1
76	AN960-416L	. WASHER ALTERNATE SPARE: NAS1149F0432P	FE	1
76	NAS1149F0432P	. WASHER ALTERNATE SPARE: AN960-416L	FE	1
78	130909N32	. NUT -----*	FE	1
80	114-514037-1	. BRACKET-PULLEY ATTACHING PARTS	FE	1
82	MS27039-1-08	. SCREW	FE	2
84	AN960-10L	. WASHER ALTERNATE SPARE: NAS1149F0332P	FE	2
84	NAS1149F0332P	. WASHER ALTERNATE SPARE: AN960-10L -----*	FE	2
-86	114-514039-1	. BRACKET ASSY-PULLEY ATTACHING PARTS	FE	1
88	MS27039-1-11	. SCREW	FE	3
90	AN960-10L	. WASHER ALTERNATE SPARE: NAS1149F0332P	FE	3
90	NAS1149F0332P	. WASHER ALTERNATE SPARE: AN960-10L -----*	FE	3
92	MS20219-4	. . PULLEY ATTACHING PARTS	FE	2
94	130909B38	. . BOLT	FE	2
96	AN960-416	. . WASHER ALTERNATE SPARE: NAS1149F0463P	FE	2
96	NAS1149F0463P	. . WASHER ALTERNATE SPARE: AN960-416 -----*	FE	2

MISSING ITEM NO. NOT APPLICABLE

- ITEM NOT ILLUSTRATED

52-11-00-05

PAGE 2
AUG 01/19

Beechcraft Corporation

MODEL 1900C AIRLINER ILLUSTRATED PARTS CATALOG

FIG ITEM	PART NUMBER	NOMENCLATURE 1 2 3 4 5 6 7	USABLE ON CODE	UNITS PER ASSY
05				
98	MS27039-1-14	. . SCREW	FE	2
100	AN960-10L	. . WASHER	FE	2
		ALTERNATE SPARE: NAS1149F0332P		
100	NAS1149F0332P	. . WASHER	FE	2
		ALTERNATE SPARE: AN960-10L		
102	NAS43DD3-33	. . SPACER	FE	2
104	114-514044-3	. . COVER	FE	1
106	114-514039-3	. . BRACKET ASSY	FE	1
108	130077-5L-01	. . . INSERT	FE	2
110	130077-7L-01	. . . INSERT	FE	2
112	114-514039-5	. . . BRACKET	FE	1
-114	114-514040-7	. BRACKET ASSY-FORWARD UPPER PULLEY	FE	1
-116	114-514040-1	. BRACKET ASSY-AFT UPPER PULLEY	FE	1
		ATTACHING PARTS		
118	MS27039-1-11	. SCREW	FE	6
120	AN960-10L	. WASHER	FE	6
		ALTERNATE SPARE: NAS1149F0332P		
120	NAS1149F0332P	. WASHER	FE	6
		ALTERNATE SPARE: AN960-10L		
		-----*		
122	NAS427K9	. . PIN-CABLE GUARD	FE	1
124	MS20392-2C15	. . PIN	FE	1
126	AN960-10L	. . WASHER	FE	1
		ALTERNATE SPARE: NAS1149F0332P		
126	NAS1149F0332P	. . WASHER	FE	1
		ALTERNATE SPARE: AN960-10L		
128	MS24665-132	. . PIN-COTTER	FE	1
130	MS20219-4	. . PULLEY	FE	1
		ATTACHING PARTS		
132	130909B38	. . BOLT	FE	1
134	AN960-416L	. . WASHER	FE	1
		ALTERNATE SPARE: NAS1149F0432P		
134	NAS1149F0432P	. . WASHER	FE	1
		ALTERNATE SPARE: AN960-416L		
		-----*		
136	MS27039-1-15	. . SCREW	FE	1
138	MS27039-1-17	. . SCREW	FE	1
140	AN960-10L	. . WASHER	FE	2
		ALTERNATE SPARE: NAS1149F0332P		
140	NAS1149F0332P	. . WASHER	FE	2
		ALTERNATE SPARE: AN960-10L		
142	NAS43DD3-28	. . SPACER	FE	2
144	NAS43DD3-8	. . SPACER	FE	1
		MISSING ITEM NO. NOT APPLICABLE		

- ITEM NOT ILLUSTRATED

52-11-00-05

PAGE 3
AUG 01/19

Beechcraft Corporation

MODEL 1900C AIRLINER ILLUSTRATED PARTS CATALOG

FIG ITEM	PART NUMBER	NOMENCLATURE 1 2 3 4 5 6 7	USABLE ON CODE	UNITS PER ASSY
05				
146	114-514044-5	. . COVER	FE	2
-148	114-514040-9	. . BRACKET ASSY-FORWARD UPPER PULLEY	FE	1
-150	114-514040-3	. . BRACKET ASSY-AFT UPPER PULLEY	FE	1
152	130077-5L-01	. . . INSERT	FE	2
154	130077-7L-01	. . . INSERT	FE	1
156	114-514040-11	. . . BRACKET-FORWARD UPPER	FE	1
158	114-514040-5	. . . BRACKET-AFT UPPER	FE	1
160	NAS427K11	. PIN-CABLE GUARD	FE	1
162	MS20219-2	. PULLEY ATTACHING PARTS	FE	1
164	130909B38	. BOLT	FE	1
166	AN960-416L	. WASHER ALTERNATE SPARE: NAS1149F0432P	FE	1
166	NAS1149F0432P	. WASHER ALTERNATE SPARE: AN960-416L	FE	1
168	130909N32	. NUT -----*-----	FE	1
170	114-514036-1	. BRACKET-PULLEY ATTACHING PARTS	FE	1
172	MS27039-1-08	. SCREW	FE	2
174	AN960-10L	. WASHER ALTERNATE SPARE: NAS1149F0332P	FE	2
174	NAS1149F0332P	. WASHER ALTERNATE SPARE: AN960-10L -----*-----	FE	2
-176	114-514042-1	. BRACKET ASSY-FORWARD LOWER PULLEY ATTACHING PARTS	FE	1
178	MS27039-1-11	. SCREW	FE	3
180	AN960-10L	. WASHER ALTERNATE SPARE: NAS1149F0332P	FE	3
180	NAS1149F0332P	. WASHER ALTERNATE SPARE: AN960-10L -----*-----	FE	3
182	NAS427K9	. . PIN-CABLE GUARD	FE	1
184	MS24665-132	. . PIN-COTTER	FE	1
186	AN960-10L	. . WASHER ALTERNATE SPARE: NAS1149F0332P	FE	1
186	NAS1149F0332P	. . WASHER ALTERNATE SPARE: AN960-10L	FE	1
188	MS20392-2C15	. . PIN	FE	1
190	MS20219-4	. . PULLEY ATTACHING PARTS	FE	1
192	130909B38	. . BOLT	FE	1

MISSING ITEM NO. NOT APPLICABLE

- ITEM NOT ILLUSTRATED

52-11-00-05

PAGE 4
AUG 01/19

Beechcraft Corporation

MODEL 1900C AIRLINER ILLUSTRATED PARTS CATALOG

FIG	PART NUMBER	NOMENCLATURE	USABLE ON CODE	UNITS PER ASSY
ITEM		1 2 3 4 5 6 7		
05				
194	AN960-416L	. . WASHER ALTERNATE SPARE: NAS1149F0432P	FE	1
194	NAS1149F0432P	. . WASHER ALTERNATE SPARE: AN960-416L -----*-----	FE	1
196	MS27039-1-15	. . SCREW	FE	2
198	AN960-10L	. . WASHER ALTERNATE SPARE: NAS1149F0332P	FE	2
198	NAS1149F0332P	. . WASHER ALTERNATE SPARE: AN960-10L	FE	2
200	NAS43DD3-28	. . SPACER	FE	2
202	114-514044-9	. . COVER	FE	2
204	114-514042-3	. . BRACKET ASSY-FORWARD LOWER	FE	1
206	130077-5L-01	. . . INSERT	FE	2
208	130077-7L-01	. . . INSERT	FE	1
210	114-514042-5	. . . BRACKET	FE	1
-212	114-514041-1	. BRACKET ASSY-AFT LOWER PULLEY ATTACHING PARTS	FE	1
214	MS27039-1-11	. SCREW	FE	3
216	AN960-10L	. WASHER ALTERNATE SPARE: NAS1149F0332P	FE	3
216	NAS1149F0332P	. WASHER ALTERNATE SPARE: AN960-10L -----*-----	FE	3
218	NAS427K9	. . PIN-CABLE GUARD	FE	2
220	MS20219-4	. . PULLEY ATTACHING PARTS	FE	1
222	130909B38	. . BOLT	FE	1
224	AN960-416L	. . WASHER ALTERNATE SPARE: NAS1149F0432P	FE	1
224	NAS1149F0432P	. . WASHER ALTERNATE SPARE: AN960-416L -----*-----	FE	1
226	MS27039-1-27	. . SCREW	FE	2
228	AN960-10L	. . WASHER ALTERNATE SPARE: NAS1149F0332P	FE	2
228	NAS1149F0332P	. . WASHER ALTERNATE SPARE: AN960-10L	FE	2
230	NAS43DD3-28	. . SPACER	FE	2
232	NAS43DD3-48	. . SPACER	FE	2
234	114-514044-7	. . COVER	FE	2
236	114-514041-3	. . BRACKET ASSY-AFT LOWER	FE	1
238	130077-5L-01	. . . INSERT	FE	2

MISSING ITEM NO. NOT APPLICABLE

- ITEM NOT ILLUSTRATED

52-11-00-05

PAGE 5
AUG 01/19

Beechcraft Corporation

MODEL 1900C AIRLINER ILLUSTRATED PARTS CATALOG

FIG ITEM	PART NUMBER	NOMENCLATURE 1 2 3 4 5 6 7	USABLE ON CODE	UNITS PER ASSY
05				
240	130077-7L-01	. . . INSERT	FE	1
242	114-514041-5	. . . BRACKET	FE	1
-244	101-514175-1	. BRACKET ASSY-CARGO DOOR ROLLER GUIDE AFT	FE	1
-246	101-514175-2	. BRACKET ASSY-CARGO DOOR ROLLER GUIDE FORWARD	FE	1
		ATTACHING PARTS		
248	MS27039-1-09	. SCREW	FE	6
250	AN960-10L	. WASHER	FE	6
		ALTERNATE SPARE: NAS1149F0332P		
250	NAS1149F0332P	. WASHER	FE	6
		ALTERNATE SPARE: AN960-10L		
		-----*		
252	101-514175-7	. . GUIDE-AFT	FE	1
254	101-514175-8	. . GUIDE-FORWARD	FE	1
256	101-514175-5	. . BRACKET-AFT	FE	1
258	101-514175-6	. . BRACKET-FORWARD	FE	1
260	101-514175-3	. . BRACKET-AFT	FE	1
262	101-514175-4	. . BRACKET-FORWARD	FE	1
264	130909N24	. NUT	FE	2
266	AN960-516	. WASHER	FE	2
		ALTERNATE SPARE: AN960-516L NAS1149F0563P NAS1149F0532P		
266	AN960-516L	. WASHER	FE	2
		ALTERNATE SPARE: AN960-516 NAS1149F0563P NAS1149F0532P		
266	NAS1149F0563P	. WASHER	FE	2
		ALTERNATE SPARE: AN960-516 AN960-516L NAS1149F0532P		
266	NAS1149F0532P	. WASHER	FE	2
		ALTERNATE SPARE: AN960-516 AN960-516L NAS1149F0563P		
270	100951X062YH	. WASHER	FE	2
272	101-514173-5	. BUSHING	FE	2
274	101-514174-1	. BUSHING-ECCENTRIC	FE	2
276	101-514172-1	. ROLLER-DOOR GUIDE	FE	2
278	130909B61	. BOLT	FE	2
280	A9008	. STUD-BALL	FE	2
		ALTERNATE SPARE: 022721		
		FOR SPARES ORDER: 16298		
280	022721	. STUD-BALL	FE	2
		ALTERNATE SPARE: A9008		

MISSING ITEM NO. NOT APPLICABLE

- ITEM NOT ILLUSTRATED

52-11-00-05

PAGE 6
AUG 01/19

Beechcraft Corporation

MODEL 1900C AIRLINER ILLUSTRATED PARTS CATALOG

FIG ITEM	PART NUMBER	NOMENCLATURE 1 2 3 4 5 6 7	USABLE ON CODE	UNITS PER ASSY
05				
280	16298	. STUD-BALL SPARES REPLACEMENT FOR: A9008 ATTACHING PARTS	FE	2
282	79NTU058	. NUT	FE	2
284	AN960-516	. WASHER ALTERNATE SPARE: NAS1149F0563P	FE	2
284	NAS1149F0563P	. WASHER ALTERNATE SPARE: AN960-516 -----*	FE	2
286	114-514058-3	. BRACKET-DOOR STABILIZER FOR SPARES ORDER: 101-514058-9	B	1
286	101-514058-9	. BRACKET-DOOR STABILIZER SPARES REPLACEMENT FOR: 114-514058-3 ATTACHING PARTS	FE	1
288	MS27039-1-09	. SCREW	FE	2
290	AN960-10	. WASHER ALTERNATE SPARE: NAS1149F0363P	FE	2
290	NAS1149F0363P	. WASHER ALTERNATE SPARE: AN960-10 -----*	FE	2
-292	101-514190-15	. GUIDE INSTL-CARGO DOOR ALIGNMENT	FE	RF
294	101-514190-5	. . ROLLER ATTACHING PARTS	FE	2
296	MS27039-1-19	. . SCREW	FE	2
298	101-514190-7	. . SPACER	FE	2
300	AN960-10	. . WASHER ALTERNATE SPARE: NAS1149F0363P	FE	4
300	NAS1149F0363P	. . WASHER ALTERNATE SPARE: AN960-10	FE	4
302	130909N29	. . NUT -----*	FE	2
304	101-514190-3	. . SUPPORT	FE	2
306	101-514190-4	. . SUPPORT ATTACHING PARTS	FE	2
308	MS27039-1-08	. . SCREW	FE	4
310	AN960-10L	. . WASHER ALTERNATE SPARE: NAS1149F0332P	FE	4
310	NAS1149F0332P	. . WASHER ALTERNATE SPARE: AN960-10L -----*	FE	4
312	101-514190-13	. . PLATE-STRIKER FOR SPARES ORDER: 101-514190-21	FE	2

MISSING ITEM NO. NOT APPLICABLE

- ITEM NOT ILLUSTRATED

52-11-00-05

PAGE 7
AUG 01/19

Beechcraft Corporation

MODEL 1900C AIRLINER ILLUSTRATED PARTS CATALOG

FIG	PART NUMBER	NOMENCLATURE	USABLE ON CODE	UNITS PER ASSY
ITEM		1 2 3 4 5 6 7		
05				
312	101-514190-21	. . PLATE-STRIKER SPARES REPLACEMENT FOR: 101-514190-13 ATTACHING PARTS	FE	2
314	MS27039-1-08	. . SCREW	FE	4
316	AN960-10L	. . WASHER ALTERNATE SPARE: NAS1149F0332P	FE	4
316	NAS1149F0332P	. . WASHER ALTERNATE SPARE: AN960-10L -----*	FE	4
-318	101-514160-13	. LATCH ASSY-FORWARD UPPER SPARES REPLACEMENT FOR: 101-514160-5	FE	1
-318	101-514160-5	. LATCH ASSY-FORWARD UPPER FOR SPARES ORDER: 101-514160-13	FE	1
-320	101-514160-14	. LATCH ASSY-AFT UPPER SPARES REPLACEMENT FOR: 101-514160-6	FE	1
-320	101-514160-6	. LATCH ASSY-AFT UPPER FOR SPARES ORDER: 101-514160-14	FE	1
-322	101-514160-17	. LATCH ASSY-FORWARD LOWER FOR SPARES ORDER: 101-514160-22	FE	1
-322	101-514160-22	. LATCH ASSY-FORWARD LOWER SPARES REPLACEMENT FOR: 101-514160-17	FE	1
-324	101-514160-18	. LATCH ASSY-AFT LOWER FOR SPARES ORDER: 101-514160-21	FE	1
-324	101-514160-21	. LATCH ASSY-AFT LOWER SPARES REPLACEMENT FOR: 101-514160-18 ATTACHING PARTS	FE	1
326	NAS334CPA20	. BOLT	FE	8
328	AN960-416	. WASHER ALTERNATE SPARE: NAS1149F0463P	FE	8
328	NAS1149F0463P	. WASHER ALTERNATE SPARE: AN960-416	FE	8
330	130909N32	. NUT	FE	8
332	NAS335CPA23	. BOLT	FE	8
334	AN960-516L	. WASHER ALTERNATE SPARE: NAS1149F0532P	FE	8
334	NAS1149F0532P	. WASHER ALTERNATE SPARE: AN960-516L	FE	8
336	52LH2935-054	. NUT	FE	8
338	2935-05	. BASE-MATING -----*	FE	8
MISSING ITEM NO. NOT APPLICABLE				

- ITEM NOT ILLUSTRATED

52-11-00-05

PAGE 8
AUG 01/19

Beechcraft Corporation

MODEL 1900C AIRLINER ILLUSTRATED PARTS CATALOG

FIG ITEM	PART NUMBER	NOMENCLATURE 1 2 3 4 5 6 7	USABLE ON CODE	UNITS PER ASSY
05				
340	101-514047-17	. . SHAFT-FORWARD AND AFT UPPER LATCH SPARES REPLACEMENT FOR: 101-514047-11 USED ON PART NUMBER: 101-514160-6 101-514160-14	FE	1
340	101-514047-11	. . SHAFT-FORWARD AND AFT UPPER LATCH USED ON PART NUMBER: 101-514160-6 101-514160-14 FOR SPARES ORDER: 101-514047-17	FE	1
342	101-514047-21	. . SHAFT-AFT LOWER LATCH USED ON PART NUMBER: 101-514160-17 101-514160-21	FE	1
344	101-514047-23	. . SHAFT-FORWARD LOWER LATCH USED ON PART NUMBER: 101-514160-18 101-514160-22	FE	2
348	130909N24	. . NUT-UPPER LATCH	FE	1
350	MS24665-287	. . PIN-COTTER, LOWER LATCH	FE	1
352	MS17825-7	. . NUT-LOWER LATCH	FE	1
354	AN960-516	. . WASHER-UPPER LATCH ALTERNATE SPARE: NAS1149F0563P	FE	1
354	NAS1149F0563P	. . WASHER-UPPER LATCH ALTERNATE SPARE: AN960-516	FE	1
356	NAS460-716	. . WASHER-LOWER LATCH	FE	1
358	101-514161-1	. . CAM-FORWARD UPPER LATCH	FE	1
360	101-514161-2	. . CAM-AFT UPPER LATCH	FE	1
362	100951S032XL	. . WASHER	FE	1
364	100951X125YX	. . WASHER-LOWER LATCH	FE	1
366	101-514144-1	. . SPACER-UPPER LATCH	FE	1
368	CYL2801-000	. . WASHER	FE	1
-370	101-514055-7	. . GUIDE ASSY	FE	1
372	101-514055-3	. . . GUIDE-CABLE	FE	1
374	101-514055-5	. . . GUIDE-CABLE	FE	1
376	NAS427K14	. . . PIN-CABLE GUARD	FE	1
378	NAS42DD4-48	. . . SPACER	FE	3
-380	101-514044-3	. . DRUM ASSY	FE	1
382	MS24694-S6	. . . SCREW FOR SPARES ORDER: NASM24694-S6	FE	3
382	NASM24694-S6	. . . SCREW SPARES REPLACEMENT FOR: MS24694-S6	FE	3
384	101-514046-3	. . . PLATE	FE	1
386	101-514155-1	. . . HUB	FE	1
388	101-514045-5	. . . DRUM ASSY	FE	1
390	101-514045-3 DRUM	FE	1
392	130077-4L-01 INSERT	FE	3

MISSING ITEM NO. NOT APPLICABLE

- ITEM NOT ILLUSTRATED

52-11-00-05

PAGE 9
AUG 01/19

Beechcraft Corporation

MODEL 1900C AIRLINER ILLUSTRATED PARTS CATALOG

FIG ITEM	PART NUMBER	NOMENCLATURE 1 2 3 4 5 6 7	USABLE ON CODE	UNITS PER ASSY
05				
394	101-514156-5	. . PLATE ASSY-LATCH MECHANISM, UPPER LATCH	FE	1
396	101-514156-6	. . PLATE ASSY-LATCH MECHANISM, UPPER LATCH	FE	1
398	101-514030-17	. . HOUSING ASSY-LATCH	FE	1
400	131763-4	. . . BEARING-JOURNAL	FE	1
402	2000-020	. . . SEAL-BEARING	FE	2
404	131763-3	. . . BEARING-JOURNAL	FE	1
406	2000-016	. . . SEAL-BEARING	FE	2
408	114-514069-1	. . WASHER-SPRING USED ON PART NUMBER: 101-514160-13 101-514160-14 101-514160-17 101-514160-18	FE	2
410	101-514202-1	. . WASHER USED ON PART NUMBER: 101-514160-13 101-514160-14 101-514160-17 101-514160-18	FE	AR
412	101-514193-1	. INDICATOR-DOOR LATCH FOR SPARES ORDER: 101-514193-5	FE	4
412	101-514193-5	. INDICATOR-DOOR LATCH SPARES REPLACEMENT FOR: 101-514193-1	FE	4
414	AN525-832R10	. SCREW ATTACHING PARTS FOR SPARES ORDER: NASM525-832R10	FE	8
414	NASM525-832R10	. SCREW SPARES REPLACEMENT FOR: AN525-832R10	FE	8
416	NAS1329H08K120L	. NUT-BLIND -----*	FE	8
418	MS9882-14	. NUT	FE	4
420	AN960-816	. WASHER	FE	4
422	101-514031-3	. BUSHING-ECCENTRIC	FE	4
424	101-514033-1	. WASHER-LAMINATED	FE	4
426	101-514031-5	. POST-LATCH, ECCENTRIC	FE	4
450	101-514200-7	. BRACKET-SHEAR PIN ATTACHING PARTS	FE	1
452	MS24694-S96	. SCREW FOR SPARES ORDER: NASM24694-S96	FE	1
452	NASM24694-S96	. SCREW SPARES REPLACEMENT FOR: MS24694-S96	FE	1
454	AN5H5A	. BOLT	FE	5
456	AN960-516	. WASHER ALTERNATE SPARE: NAS1149F0563P	FE	5

MISSING ITEM NO. NOT APPLICABLE

- ITEM NOT ILLUSTRATED

52-11-00-05

PAGE 10
AUG 01/19

Beechcraft Corporation

MODEL 1900C AIRLINER ILLUSTRATED PARTS CATALOG

FIG ITEM	PART NUMBER	NOMENCLATURE 1 2 3 4 5 6 7	USABLE ON CODE	UNITS PER ASSY
05				
456	NAS1149F0563P	. WASHER ALTERNATE SPARE: AN960-516 -----*	FE	5
458	101-514200-5	. BRACKET-SHEAR PIN ATTACHING PARTS	FE	3
460	AN5H5A	. BOLT	FE	18
462	AN960-516	. WASHER ALTERNATE SPARE: NAS1149F0563P	FE	18
462	NAS1149F0563P	. WASHER ALTERNATE SPARE: AN960-516 -----*	FE	18
464	101-514051-1	. SHIM USE AS REQUIRED TO ALIGN BRACKETS WITH SHAFT	FE	AR
466	101-514039-1	. PIN-LATCH	FE	1
468	101-514039-3	. PIN-LATCH ATTACHING PARTS	FE	3
470	AN960-616	. WASHER ALTERNATE SPARE: NAS1149F0663P	FE	8
470	NAS1149F0663P	. WASHER ALTERNATE SPARE: AN960-616	FE	8
472	130909N25	. NUT -----*	FE	4
474	101-514040-5	. GUIDE	FE	1
476	101-514040-3	. GUIDE ATTACHING PARTS	FE	3
478	AN23-21	. BOLT FOR SPARES ORDER: NASM23-21	FE	3
478	NASM23-21	. BOLT SPARES REPLACEMENT FOR: AN23-21	FE	3
480	AN23-23	. BOLT FOR SPARES ORDER: NASM23-23	FE	1
480	NASM23-23	. BOLT SPARES REPLACEMENT FOR: AN23-23	FE	1
482	AN960-10L	. WASHER ALTERNATE SPARE: NAS1149F0332P	FE	4
482	NAS1149F0332P	. WASHER ALTERNATE SPARE: AN960-10L	FE	4
484	130909N45	. NUT	FE	4
486	MS24665-170	. PIN-COTTER -----*	FE	4
488	114-514052-1	. TARGET ASSY	FE	1
490	114-514052-3	. . BRACKET	FE	1
492	114-514052-5	. . BRACKET-SUPPORT	FE	1

- ITEM NOT ILLUSTRATED

MISSING ITEM NO. NOT APPLICABLE

52-11-00-05

PAGE 11
AUG 01/19

Beechcraft Corporation

MODEL 1900C AIRLINER ILLUSTRATED PARTS CATALOG

FIG	PART NUMBER	NOMENCLATURE	USABLE ON CODE	UNITS PER ASSY
ITEM		1 2 3 4 5 6 7		
05				
494	114-514052-7	. POINTER-INBOARD	FE	1
496	114-514052-11	. . POINTER	FE	1
498	114-514052-9	. . SUPPORT-POINTER	FE	1
500	114-514052-15	. POINTER-OUTBOARD	FE	1
		ATTACHING PARTS		
502	MS27039-1-08	. SCREW	FE	2
504	AN960-10L	. WASHER	FE	2
		ALTERNATE SPARE: NAS1149F0332P		
504	NAS1149F0332P	. WASHER	FE	2
		ALTERNATE SPARE: AN960-10L		
		-----*-----		
506	101-514041-1	. SHAFT	FE	1
508	114-514059-1	. BRACKET	FE	1
510	101-360076-1	. BRACKET-SWITCH	FE	1
		ATTACHING PARTS		
512	AN3H4A	. BOLT	FE	2
514	AN960-10L	. WASHER	FE	2
		ALTERNATE SPARE: NAS1149F0332P		
514	NAS1149F0332P	. WASHER	FE	2
		ALTERNATE SPARE: AN960-10L		
		-----*-----		
516	101-364364-1	. BRACKET-SWITCH	FE	1
		ATTACHING PARTS		
518	AN3H4A	. BOLT	FE	2
520	AN960-10L	. WASHER	FE	2
		ALTERNATE SPARE: NAS1149F0332P		
520	NAS1149F0332P	. WASHER	FE	2
		ALTERNATE SPARE: AN960-10L		
		-----*-----		
-522	114-514033-1	. SUPPORT ASSY	FE	1
		ATTACHING PARTS		
524	MS24694S63	. SCREW	FE	3
526	MS24694-S74	. SCREW	FE	1
		FOR SPARES ORDER: NASM24694-S74		
526	NASM24694-S74	. SCREW	FE	1
		SPARES REPLACEMENT FOR: MS24694-S74		
		-----*-----		
528	MS27646-38	. . BEARING	FE	1
530	114-514033-3	. . SUPPORT	FE	1
532	114-514053-1	. BRACKET ASSY	FE	1
		ATTACHING PARTS		
534	MS27039-1-09	. SCREW	FE	1
536	AN960-10L	. WASHER	FE	1
		ALTERNATE SPARE: NAS1149F0332P		

MISSING ITEM NO. NOT APPLICABLE

- ITEM NOT ILLUSTRATED

52-11-00-05

PAGE 12
AUG 01/19

Beechcraft Corporation

MODEL 1900C AIRLINER ILLUSTRATED PARTS CATALOG

FIG ITEM	PART NUMBER	NOMENCLATURE 1 2 3 4 5 6 7	USABLE ON CODE	UNITS PER ASSY
05				
536	NAS1149F0332P	. WASHER ALTERNATE SPARE: AN960-10L -----*-----	FE	1
538	MS21266-1N	. . GROMMET	FE	1
540	114-514053-3	. . BRACKET	FE	1
542	R1	. RING-KEY ALTERNATE SPARE: 101750C12	FE	1
542	101750-C-12	. RING-KEY ALTERNATE SPARE: R1	FE	1
544	130909N32	. NUT	FE	1
546	100951DD062UA	. WASHER	FE	1
548	114-514055-1	. BUSHING	FE	1
550	MS16625-1075	. RETAINER	FE	1
552	100951DD190YH	. WASHER FOR SPARES ORDER: 100951NY190YH	C	3
552	100951NY190YH	. WASHER SPARES REPLACEMENT FOR: 100951DD190YH	FE	3
554	111504ZK0116-6	. SPRING	FE	1
556	114-514046-1	. LATCH-SAFETY	FE	1
558	114-514043-1	. DRUM ASSY ATTACHING PARTS	FE	1
560	130909B35	. BOLT	FE	3
562	AN960-416L	. WASHER ALTERNATE SPARE: NAS1149F0432P	FE	3
562	NAS1149F0432P	. WASHER ALTERNATE SPARE: AN960-416L	FE	3
564	130909N32	. NUT -----*-----	FE	3
-566	114-514035-1	. HANDLE ASSY-INSIDE FOR SPARES ORDER: 114-514035-17	FE	1
-566	114-514035-17	. HANDLE ASSY-INSIDE SPARES REPLACEMENT FOR: 114-514035-1	FE	1
570	NAS451-45	. . PLUG	FE	1
572	101A073-4	. . COVER	FE	1
576	114-514035-23	. . WELD ASSY-HANDLE SPARES REPLACEMENT FOR: 114-514035-3	FE	1
576	114-514035-3	. . WELD ASSY-HANDLE FOR SPARES ORDER: 114-514035-23	FE	1
-578	101-514176-13	. HANDLE AND SUPPORT ASSY OUTSIDE ATTACHING PARTS	FE	1
580	AN3-17A	. BOLT FOR SPARES ORDER: NASM3-17A	FE	2

- ITEM NOT ILLUSTRATED

MISSING ITEM NO. NOT APPLICABLE

52-11-00-05

PAGE 13
AUG 01/19

Beechcraft Corporation

MODEL 1900C AIRLINER ILLUSTRATED PARTS CATALOG

FIG ITEM	PART NUMBER	NOMENCLATURE 1 2 3 4 5 6 7	USABLE ON CODE	UNITS PER ASSY
05				
580	NASM3-17A	. BOLT SPARES REPLACEMENT FOR: AN3-17A	FE	2
582	AN3-15A	. BOLT FOR SPARES ORDER: NASM3-15A	FE	1
582	NASM3-15A	. BOLT SPARES REPLACEMENT FOR: AN3-15A	FE	1
584	AN960-10	. WASHER ALTERNATE SPARE: NAS1149F0363P	FE	3
584	NAS1149F0363P	. WASHER ALTERNATE SPARE: AN960-10	FE	3
		-----*		
586	MS16624-1075	. . RING-RETAINER	FE	1
588	AN960-1216L	. . WASHER ALTERNATE SPARE: NAS1149F1232P	FE	1
588	NAS1149F1232P	. . WASHER ALTERNATE SPARE: AN960-1216L	FE	1
590	101-514179-7	. . . PIN	FE	1
-592	101-514176-11	. . HANDLE ASSY	FE	1
594	MS9048-072	. . . PIN	FE	1
596	101-514179-5	. . . SHAFT	FE	1
598	101-514196-1	. . . HANDLE	FE	1
600	101-514179-9	. . ADAPTER	FE	1
-602	114-514054-1	. . SUPPORT ASSY	FE	1
604	101-384142-1	. . . BEARING-FLANGED	FE	1
606	MS21241-12C008	. . . BEARING	FE	1
608	130077-5L-01	. . . INSERT	FE	3
610	114-514054-3	. . . SUPPORT	FE	1
612	114-514056-1	. PLATE	FE	1
-614	114-514034-1	. SUPPORT ASSY ATTACHING PARTS	FE	1
616	130909B34	. BOLT	FE	2
618	AN960-416	. WASHER ALTERNATE SPARE: NAS1149F0463P	FE	2
618	NAS1149F0463P	. WASHER ALTERNATE SPARE: AN960-416	FE	2
620	MS27039-1-9	. SCREW	FE	2
622	AN960-10L	. WASHER ALTERNATE SPARE: NAS1149F0332P	FE	2
622	NAS1149F0332P	. WASHER ALTERNATE SPARE: AN960-10L	FE	2
		-----*		
624	MS27646-38	. . BEARING	FE	1
626	NAS607-3-4	. . PIN-DOWEL	FE	2
628	130077-5L-01	. . INSERT	FE	6

MISSING ITEM NO. NOT APPLICABLE

- ITEM NOT ILLUSTRATED

52-11-00-05

PAGE 14
AUG 01/19

Beechcraft Corporation

MODEL 1900C AIRLINER ILLUSTRATED PARTS CATALOG

FIG ITEM	PART NUMBER	NOMENCLATURE 1 2 3 4 5 6 7	USABLE ON CODE	UNITS PER ASSY
05				
630	114-514034-3	. . SUPPORT	FE	1
632	NAS428-3-6	. BOLT-STOP	FE	1
634	AN316-4R	. NUT-JAM	FE	1
		FOR SPARES ORDER: NASM316-4R		
634	NASM316-4R	. NUT	FE	1
		SPARES REPLACEMENT FOR: AN316-4R		
645	131765-FG6M	. ROD END	FE	1
		ATTACHING PARTS		
650	130909B40	. BOLT	FE	1
		ALL PARTS MUST BE REPLACED ON FIRST INSTALLATION WITH 129-514000-3 BOLT, MS17826-4 NUT AND MS24665-69 COTTER PIN. A WASHER IS NO LONGER REQUIRED.		
655	AN960-416L	. WASHER	FE	1
		ALL PARTS MUST BE REPLACED ON FIRST INSTALLATION WITH 129-514000-3 BOLT, MS17826-4 NUT AND MS24665-69 COTTER PIN. A WASHER IS NO LONGER REQUIRED. ALTERNATE SPARE: NAS1149F0432P		
655	NAS1149F0432P	. WASHER	FE	1
		ALL PARTS MUST BE REPLACED ON FIRST INSTALLATION WITH 129-514000-3 BOLT, MS17826-4 NUT AND MS24665-69 COTTER PIN. A WASHER IS NO LONGER REQUIRED. ALTERNATE SPARE: AN960-416L		
660	130909N32	. NUT	FE	1
		ALL PARTS MUST BE REPLACED ON FIRST INSTALLATION WITH 129-514000-3 BOLT, MS17826-4 NUT AND MS24665-69 COTTER PIN. A WASHER IS NO LONGER REQUIRED.		
665	MS24665-96	. PIN	FE	1
670	129-514000-3	. BOLT	FE	1
675	MS24665-4	. NUT	FE	1
		----- *		
		MISSING ITEM NO. NOT APPLICABLE		

- ITEM NOT ILLUSTRATED

52-11-00-05

PAGE 15
AUG 01/19

Beechcraft Corporation

MODEL 1900C AIRLINER ILLUSTRATED PARTS CATALOG

FIG	PART NUMBER	NOMENCLATURE	USABLE ON CODE	UNITS PER ASSY
ITEM		1 2 3 4 5 6 7		
05				
680	AN316-6R	. NUT FOR SPARES ORDER: NASM316-6R	FE	1
680	NASM316-6R	. NUT SPARES REPLACEMENT FOR: AN316-6R	FE	1
685	101-514049-3	. ROD ATTACHING PARTS	FE	1
690	AN23-14	. BOLT FOR SPARES ORDER: NASM23-14	FE	1
690	NASM23-14	. BOLT SPARES REPLACEMENT FOR: AN23-14	FE	1
695	105739X-ZL0590	. BUSHING	FE	1
700	AN960-10L	. WASHER ALTERNATE SPARE: NAS1149F0332P	FE	1
700	NAS1149F0332P	. WASHER ALTERNATE SPARE: AN960-10L	FE	1
705	130909N45	. NUT	FE	1
710	MS24665-170	. PIN-COTTER -----*-----	FE	1
-715	101-590053-1	STABILIZER AND CLOSING AID CARGO DOOR SEE CHAPTER 25-10-00-18	FE	1
		UC080-UC999 UC001-UC059 UC001-UC999	B C FE	
		MISSING ITEM NO. NOT APPLICABLE		

- ITEM NOT ILLUSTRATED

52-11-00-05

PAGE 16
AUG 01/19

Beechcraft Corporation

MODEL 1900C AIRLINER ILLUSTRATED PARTS CATALOG

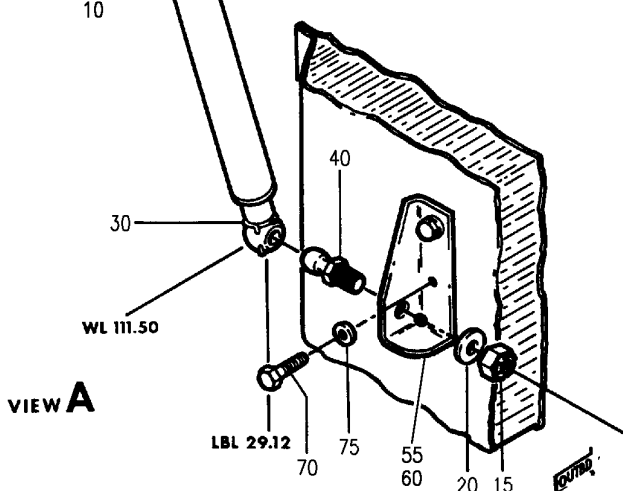
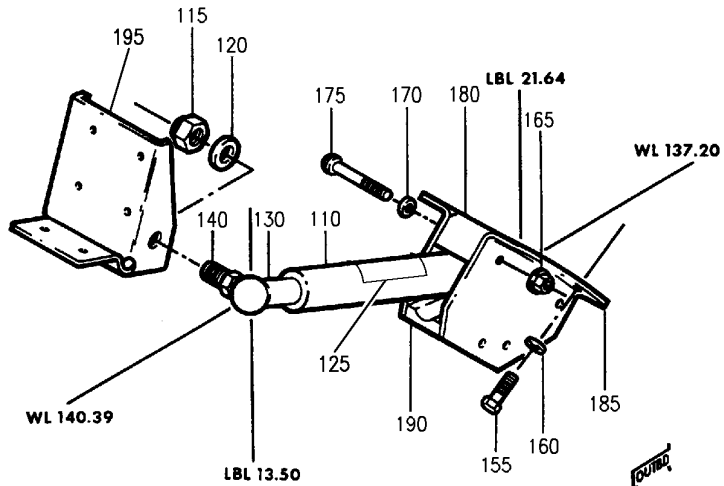
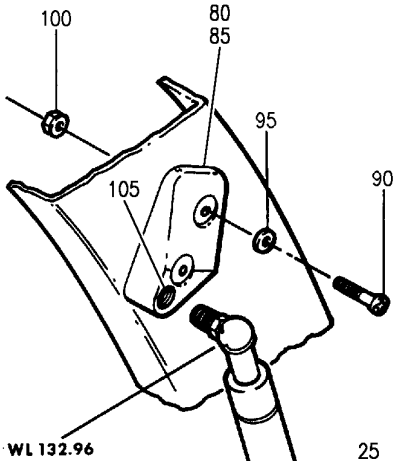
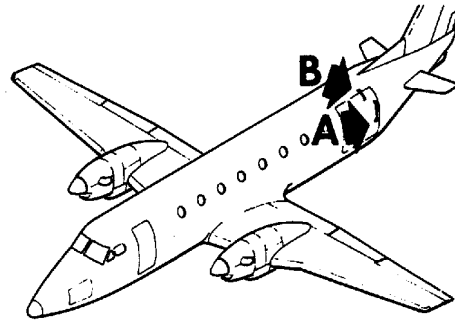
52-11-00-06

CARGO DOOR DAMPER

52-11-00-06

Beechcraft Corporation

MODEL 1900C AIRLINER ILLUSTRATED PARTS CATALOG



K 52110006 REV 042

CARGO DOOR DAMPER

Beechcraft Corporation

MODEL 1900C AIRLINER ILLUSTRATED PARTS CATALOG

FIG ITEM	PART NUMBER	NOMENCLATURE 1 2 3 4 5 6 7	USABLE ON CODE	UNITS PER ASSY
06	-5	114-514057-1 CARGO DOOR DAMPER COUNTERBALANCE INSTL-CARGO DOOR	FE	RF
	10	101-514183-11 . SPRING ASSY-GAS ATTACHING PARTS	FE	2
	15	79NTU058 . NUT	FE	4
	20	AN960-516L . WASHER ALTERNATE SPARE: NAS1149F0532P	FE	4
	20	NAS1149F0532P . WASHER ALTERNATE SPARE: AN960-516L -----*	FE	4
	25	101-514184-15 . . PLACARD-INSTRUCTION AND SPRING PART NUMBER	FE	1
	30	A9036 . . CLIP-SAFETY ALTERNATE SPARE: 9502-2	FE	2
	30	9502-2 . . CLIP-SAFETY ALTERNATE SPARE: A9036	FE	2
	40	A9007 . . STUD-BALL ALTERNATE SPARE: A9505-1 FOR SPARES ORDER: 393835	FE	2
	40	A9505-1 . . STUD-BALL ALTERNATE SPARE: A9007	FE	2
	40	393835 . . STUD-BALL SPARES REPLACEMENT FOR: A9007	FE	2
	55	101-514058-9 . BRACKET-GAS SPRING, AFT SPARES REPLACEMENT FOR: 114-514058-3	FE	1
	55	114-514058-3 . BRACKET-GAS SPRING, AFT FOR SPARES ORDER: 101-514058-9	A	1
	60	114-514058-4 . BRACKET-GAS SPRING, FORWARD FOR SPARES ORDER: 101-514058-10	FE	1
	60	101-514058-10 . BRACKET-GAS SPRING, FORWARD SPARES REPLACEMENT FOR: 114-514058-4 ATTACHING PARTS	FE	1
	70	130909B14 . BOLT	FE	4
	75	AN960-10 . WASHER ALTERNATE SPARE: NAS1149F0363P	FE	4
	75	NAS1149F0363P . WASHER ALTERNATE SPARE: AN960-10 -----*	FE	4
	80	101-514057-5 . BRACKET-AFT GAS SPRING	FE	1
	85	101-514057-6 . BRACKET-FORWARD GAS SPRING	FE	1
MISSING ITEM NO. NOT APPLICABLE				

- ITEM NOT ILLUSTRATED

52-11-00-06

PAGE 1
AUG 01/19

Beechcraft Corporation

MODEL 1900C AIRLINER ILLUSTRATED PARTS CATALOG

FIG ITEM	PART NUMBER	NOMENCLATURE 1 2 3 4 5 6 7	USABLE ON CODE	UNITS PER ASSY
06		ATTACHING PARTS		
90	MS27039-1-13	. SCREW	FE	4
95	AN960-10	. WASHER	FE	4
		ALTERNATE SPARE: NAS1149F0363P		
95	NAS1149F0363P	. WASHER	FE	4
		ALTERNATE SPARE: AN960-10		
100	130909N29	. NUT	FE	4
		-----*-----		
105	130077-9L02	. . INSERT	FE	1
110	101-514183-1	. SPRING ASSY-GAS	FE	4
		ATTACHING PARTS		
115	79NTU058	. NUT	FE	4
120	AN960-516L	. WASHER	FE	4
		ALTERNATE SPARE: NAS1149F0532P		
120	NAS1149F0532P	. WASHER	FE	4
		ALTERNATE SPARE: AN960-516L		
		-----*-----		
125	101-514184-5	. . PLACARD-INSTRUCTION	FE	1
130	A9036	. . CLIP-SAFETY	FE	2
		ALTERNATE SPARE: 9505-2		
130	9502-2	. . CLIP-SAFETY	FE	2
		ALTERNATE SPARE: A9036		
140	A9007	. . STUD-BALL	FE	2
		ALTERNATE SPARE: A9505-1BALL		
		ALTERNATE SPARE: A9505-1		
		FOR SPARES ORDER: 393835		
140	A9505-1	. . STUD-BALL	FE	2
		ALTERNATE SPARE: A9007		
140	393835	. . STUD-BALL	FE	2
		SPARES REPLACEMENT FOR: A9007		
-150	101-514056-19	. BLOCK ASSY-SLIDE	FE	4
		ATTACHING PARTS		
155	130909B14	. BOLT	FE	16
160	AN960-10	. WASHER	FE	16
		ALTERNATE SPARE: NAS1149F0363P		
160	NAS1149F0363P	. WASHER	FE	16
		ALTERNATE SPARE: AN960-10		
		-----*-----		
165	MS21043-08	. . NUT	FE	4
		FOR SPARES ORDER: NASM21043-08		

MISSING ITEM NO. NOT APPLICABLE

- ITEM NOT ILLUSTRATED

52-11-00-06

PAGE 2
AUG 01/19

Beechcraft Corporation

MODEL 1900C AIRLINER ILLUSTRATED PARTS CATALOG

FIG ITEM	PART NUMBER	NOMENCLATURE							USABLE ON CODE	UNITS PER ASSY	
		1	2	3	4	5	6	7			
06	165	NASM21043-08	.	.	NUT					FE	4
					SPARES REPLACEMENT FOR: MS21043-08						
	170	AN960-8	.	.	WASHER					FE	4
	175	MS27039-0823	.	.	SCREW					FE	4
	180	101-514056-13	.	.	ANGLE					FE	1
	185	101-514056-14	.	.	ANGLE					FE	1
	190	101-514056-11	.	.	BLOCK-SLIDE					FE	1
	195	114-514058-1	BRACKET							FE	2
		UC001-UC080							A		
		UC001-UC999							FE		
		MISSING ITEM NO. NOT APPLICABLE									

- ITEM NOT ILLUSTRATED

52-11-00-06

PAGE 3
AUG 01/19

Beechcraft Corporation

MODEL 1900C AIRLINER ILLUSTRATED PARTS CATALOG

PAGE INTENTIONALLY LEFT BLANK

Beechcraft Corporation

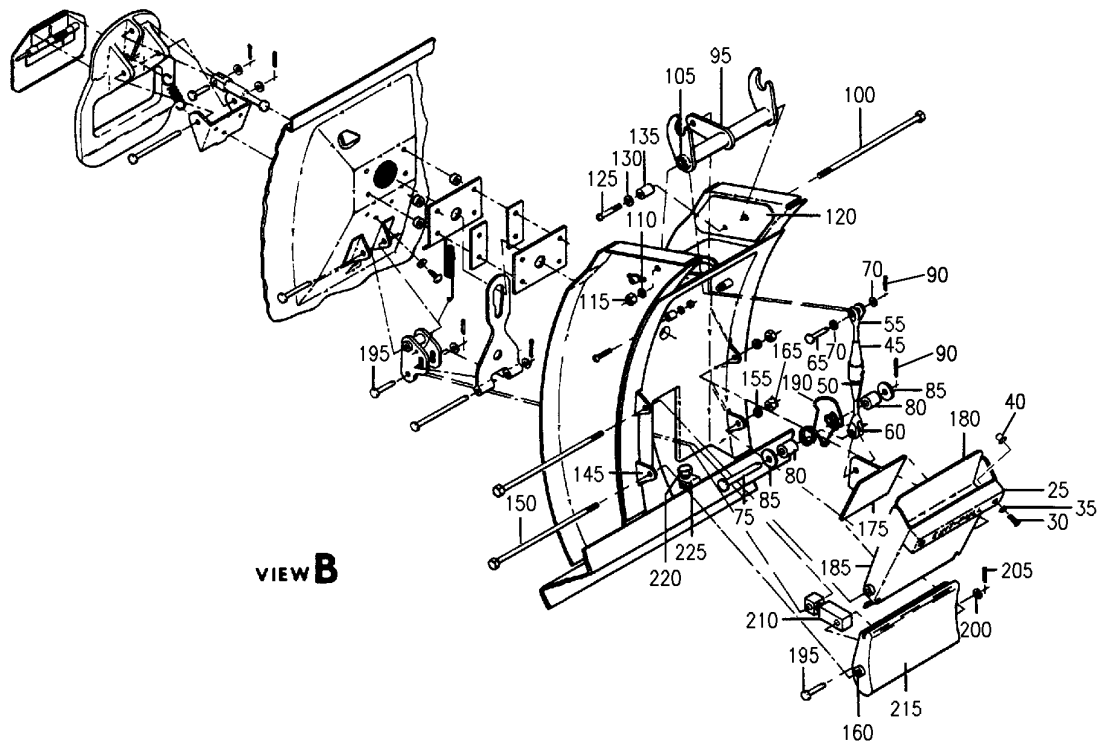
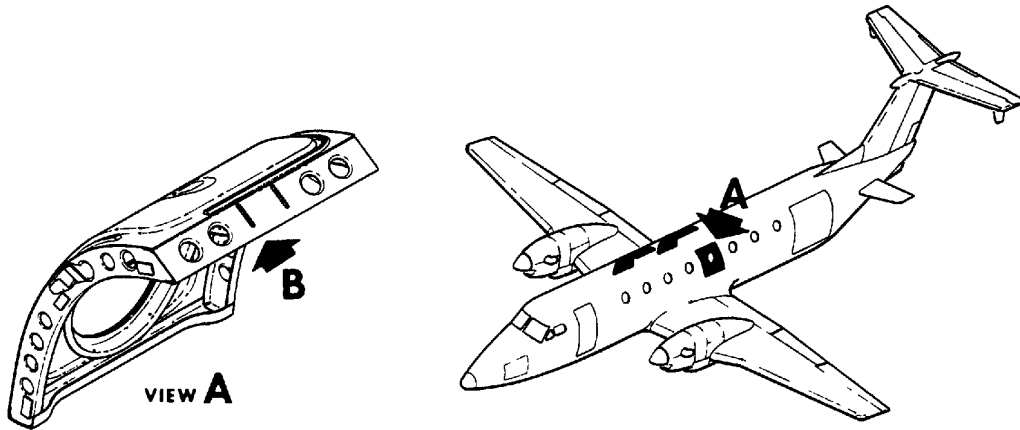
MODEL 1900C AIRLINER ILLUSTRATED PARTS CATALOG

52-20-00-02

EMERGENCY EXIT DOOR

52-20-00-02

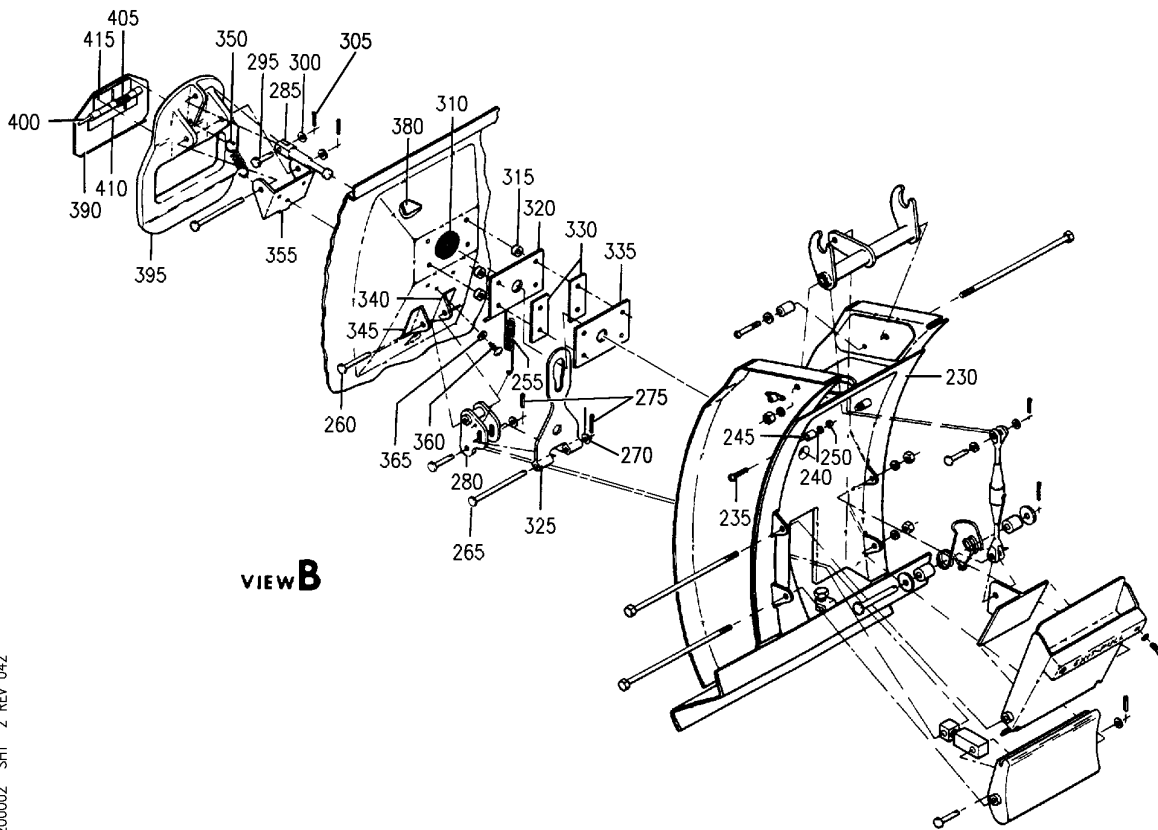
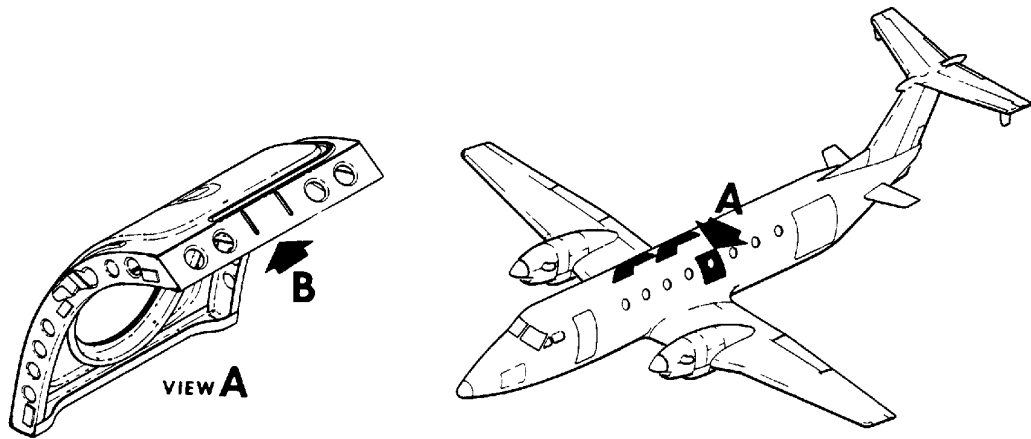
Beechcraft Corporation
MODEL 1900C AIRLINER ILLUSTRATED PARTS CATALOG



K 52200002 SH1 1 REV 042

EMERGENCY EXIT DOOR
SHEET 1 OF 3

Beechcraft Corporation
MODEL 1900C AIRLINER ILLUSTRATED PARTS CATALOG



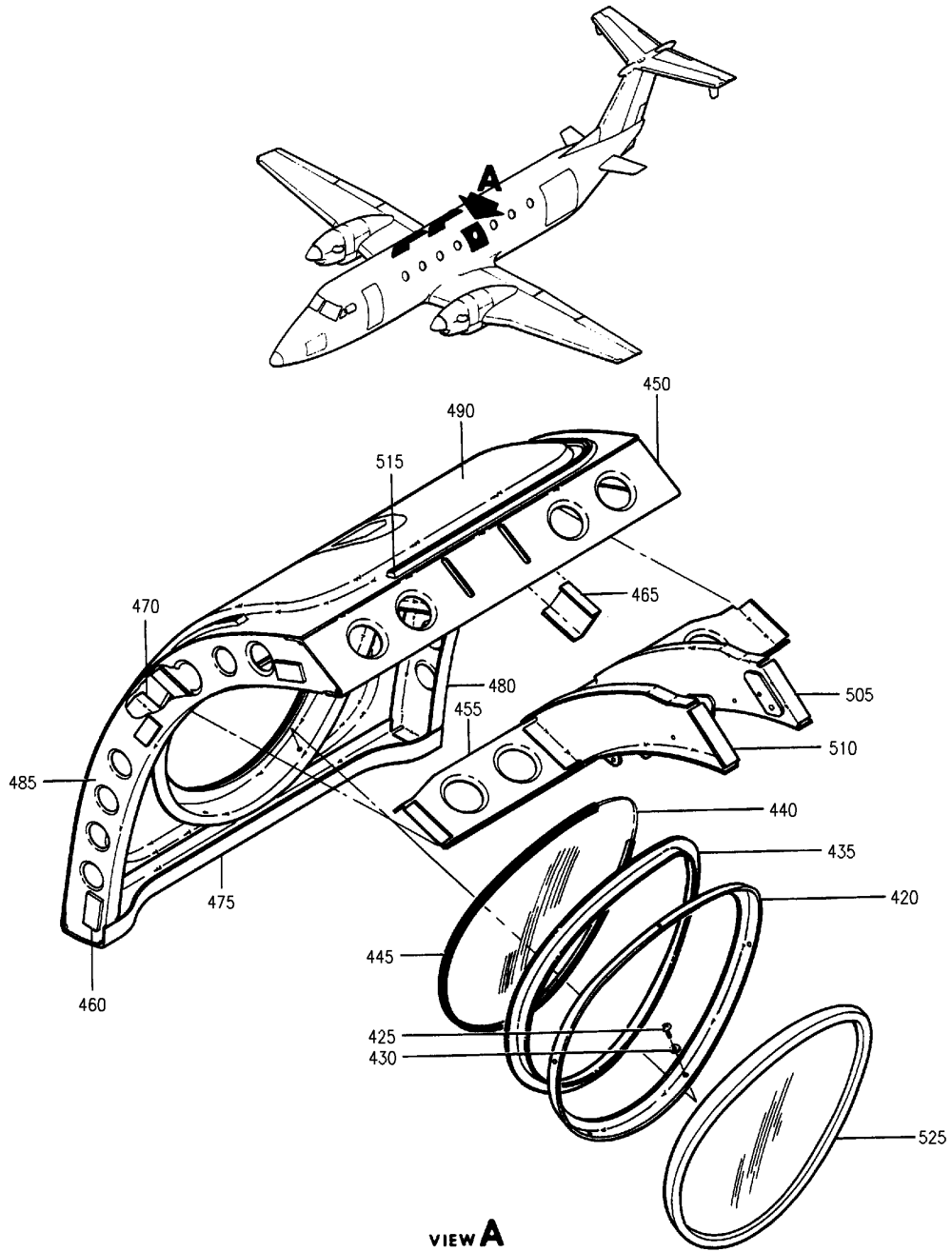
K 52200002 SHT. 2 REV 042

EMERGENCY EXIT DOOR
SHEET 2 OF 3

52-20-00-02
PAGE 0A
AUG 01/19

Beechcraft Corporation

MODEL 1900C AIRLINER ILLUSTRATED PARTS CATALOG



K 52200002 SHT 3 REV 000

EMERGENCY EXIT DOOR
SHEET 3 OF 3

52-20-00-02
PAGE 0B
AUG 01/19

Beechcraft Corporation

MODEL 1900C AIRLINER ILLUSTRATED PARTS CATALOG

FIG ITEM	PART NUMBER	NOMENCLATURE 1 2 3 4 5 6 7	USABLE ON CODE	UNITS PER ASSY
02		EMERGENCY EXIT DOOR		
-5	114-430072-2	DOOR INSTL-LH EMERGENCY EXIT	FE	RF
-10	114-430072-1	DOOR INSTL-RH EMERGENCY EXIT	FE	RF
-15	114-430072-4	. DOOR ASSY-LH EMERGENCY EXIT	FE	1
-20	114-430072-3	. DOOR ASSY-RH EMERGENCY EXIT	FE	1
25	99-384012	. . MARKER-ESCAPE HATCH HANDLE SELF LUMINOUS ATTACHING PARTS	FE	1
30	NAS387-632-8	. . SCREW	FE	2
35	NAS390-6	. . WASHER	FE	2
40	NAS1329A06K75L	. . RIVNUT	FE	2
		-----*		
45	MS21251-5S	. . TURNBUCKLE	FE	1
50	MS21256-1	. . CLIP-TURNBUCKLE LOCKING	FE	1
55	MS21252-5LS	. . CLEVIS END-LH THREAD	FE	1
60	MS21252-5RS	. . CLEVIS END-RH THREAD ATTACHING PARTS	FE	1
65	MS20392-3C15	. . PIN-CLEVIS	FE	1
70	AN960-416L	. . WASHER ALTERNATE SPARE: NAS1149F0432P	FE	2
70	NAS1149F0432P	. . WASHER ALTERNATE SPARE: AN960-416L	FE	2
75	MS20392-3C41	. . PIN-CLEVIS	FE	1
80	NAS42DD8-24	. . SPACER	FE	2
85	100951DD032WB	. . WASHER	FE	2
90	MS24665-132	. . PIN-COTTER -----*	FE	2
95	100-430050	. . HOOK ASSY ATTACHING PARTS	FE	1
100	AN3-43A	. . BOLT FOR SPARES ORDER: NASM3-43A	FE	1
100	NASM3-43A	. . BOLT SPARES REPLACEMENT FOR: AN3-43A	FE	1
105	105739A-ZU3900	. . BUSHING	FE	1
110	AN960-10L	. . WASHER ALTERNATE SPARE: NAS1149F0332P	FE	1
110	NAS1149F0332P	. . WASHER ALTERNATE SPARE: AN960-10L	FE	1
115	130909N29	. . NUT -----*	FE	1
120	115-430100-21	. . PLATE ATTACHING PARTS	FE	2
125	MS27039-1-13	. . SCREW	FE	2
130	AN960-10L	. . WASHER ALTERNATE SPARE: NAS1149F0332P	FE	2

MISSING ITEM NO. NOT APPLICABLE

- ITEM NOT ILLUSTRATED

52-20-00-02

PAGE 1
AUG 01/19

Beechcraft Corporation

MODEL 1900C AIRLINER ILLUSTRATED PARTS CATALOG

FIG ITEM	PART NUMBER	NOMENCLATURE 1 2 3 4 5 6 7	USABLE ON CODE	UNITS PER ASSY
02				
130	NAS1149F0332P	. . WASHER ALTERNATE SPARE: AN960-10L	FE	2
135	105739A-ZT0380	. . BUSHING	FE	2
-140	130909N33	. . NUTPLATE -----*-----	FE	2
145	115-430100-57	. . PLATE	FE	4
150	AN3-43A	. . BOLT FOR SPARES ORDER: NASM3-43A	FE	2
150	NASM3-43A	. . BOLT SPARES REPLACEMENT FOR: AN3-43A	FE	2
155	AN960-10	. . WASHER ALTERNATE SPARE: NAS1149F0363P	FE	2
155	NAS1149F0363P	. . WASHER ALTERNATE SPARE: AN960-10	FE	2
160	105739A-ZU3900	. . BUSHING	FE	2
165	130909N29	. . NUT	FE	2
-170	101-430135-29	. . HANDLE ASSY	FE	1
175	101-430135-13	. . . SUPPORT	FE	1
180	101-430135-25	. . . DEFLECTOR	FE	1
185	101-430135-27	. . . CHANNEL	FE	1
190	50-384062-3	. . SPRING	FE	1
195	MS20392-2C29	. . PIN-CLEVIS	FE	1
200	AN960-10L	. . WASHER ALTERNATE SPARE: NAS1149F0332P	FE	2
200	NAS1149F0332P	. . WASHER ALTERNATE SPARE: AN960-10L	FE	2
205	MS24665-132	. . PIN-COTTER	FE	2
210	101-430132-1	. . LINKAGE ASSY	FE	1
215	101-430136-5	. . HANDLE-LOCK	FE	1
220	AN3C5A	. . BOLT	FE	1
225	AN256F10	. . NUTPLATE-RIGHT ANGLE	FE	1
230	101-430216-1	. . BARRIER-MOISTURE	FE	1
235	MS27039-1-10	. . SCREW	FE	2
240	AN960-10L	. . WASHER ALTERNATE SPARE: NAS1149F0332P	FE	2
240	NAS1149F0332P	. . WASHER ALTERNATE SPARE: AN960-10L	FE	2
245	NAS42HT6-16	. . SPACER	FE	2
250	130909N29	. . NUT	FE	2
255	101-430137-1	. . SPRING	FE	1
260	MS20392-2C29	. . PIN-CLEVIS	FE	1
265	MS20392-2C63	. . PIN-CLEVIS	FE	1
270	AN960-10L	. . WASHER ALTERNATE SPARE: NAS1149F0332P	FE	2

MISSING ITEM NO. NOT APPLICABLE

- ITEM NOT ILLUSTRATED

52-20-00-02

PAGE 2
AUG 01/19

Beechcraft Corporation

MODEL 1900C AIRLINER ILLUSTRATED PARTS CATALOG

FIG ITEM	PART NUMBER	NOMENCLATURE 1 2 3 4 5 6 7	USABLE ON CODE	UNITS PER ASSY
02				
270	NAS1149F0332P	. . WASHER ALTERNATE SPARE: AN960-10L	FE	2
275	MS24665-132	. . PIN-COTTER	FE	2
280	101-430133-1	. . CONTROL ASSY-CAM	FE	1
285	100-430054-3	. . PUSH ROD FOR SPARES ORDER: 100-430054-5 PRE SERVICE BULLETIN: SB2740	FE	1
285	100-430054-5	. . PUSH ROD SPARES REPLACEMENT FOR: 100-430054-3 SERVICE BULLETIN: SB2740 ATTACHING PARTS	FE	1
295	MS20392-2C15	. . PIN-CLEVIS	FE	1
300	AN960-10L	. . WASHER ALTERNATE SPARE: NAS1149F0332P	FE	1
300	NAS1149F0332P	. . WASHER ALTERNATE SPARE: AN960-10L	FE	1
305	MS24665-132	. . PIN-COTTER -----*	FE	1
310	MS35489-9	. . GROMMET	FE	1
315	NAS43HT1-10	. . SPACER	FE	4
320	115-430100-127	. . PLATE	FE	1
325	101-430134-1	. . SLIDE ASSY-LOCK	FE	1
330	115-430100-135	. . PLATE	FE	2
335	115-430100-133	. . PLATE	FE	1
340	101-430131-1	. . BRACKET	FE	1
345	101-430131-2	. . BRACKET	FE	1
350	100942H0016-16	. . SPRING	FE	1
355	115-430116	. . BRACKET ASSY ATTACHING PARTS	FE	1
360	MS27039-1-08	. . SCREW	FE	3
365	AN960-10L	. . WASHER ALTERNATE SPARE: NAS1149F0332P	FE	3
365	NAS1149F0332P	. . WASHER ALTERNATE SPARE: AN960-10L -----*	FE	3
-370	NAS697-A3	. . . NUTPLATE	FE	1
-375	NAS696A3	. . . NUTPLATE	FE	2
380	115-430100-123	. . DOUBLER	FE	1
-385	115-430114	. . HANDLE ASSY	FE	1
390	115-430114-1	. . . COVER	FE	1
395	115-430113-1	. . . HANDLE	FE	1
400	105774C-ZE00130	. . . PIN-HINGE	FE	1
405	115150	. . . SPRING	FE	1
410	115-430114-3	. . . HINGE-HALF	FE	1
415	115-430114-5	. . . HINGE-HALF	FE	1
420	114-430041-7	. . RETAINER	FE	1

MISSING ITEM NO. NOT APPLICABLE

- ITEM NOT ILLUSTRATED

52-20-00-02

PAGE 3
AUG 01/19

Beechcraft Corporation

MODEL 1900C AIRLINER ILLUSTRATED PARTS CATALOG

FIG	PART NUMBER	NOMENCLATURE	USABLE ON CODE	UNITS PER ASSY
ITEM		1 2 3 4 5 6 7		
02		ATTACHING PARTS		
425	MS27039-0806	. . SCREW	FE	6
430	AN960-8L	. . WASHER	FE	6
		-----*-----		
435	114-430041-9	. . RING	FE	1
440	114-430040-3	. . WINDOW-OUTER	FE	1
		FOR SPARES ORDER: 114-430040-5		
440	114-430040-5	. . WINDOW-OUTER	FE	1
		SPARES REPLACEMENT FOR: 114-430040-3		
445	114-384012-1	. . SEAL-WINDOW	FE	1
450	115-430100-9	. . SUPPORT-UPPER	FE	1
455	115-430100-13	. . SUPPORT	FE	1
460	115-430100-107	. . STOP-DOOR	FE	6
465	115-430100-118	. . CHANNEL-LH FORWARD AND RH AFT	FE	1
470	115-430100-117	. . CHANNEL-LH AFT AND RH FORWARD	FE	1
475	115-430100-41	. . FRAME-LOWER	FE	1
480	115-430100-98	. . FRAME-LH FORWARD AND RH AFT SIDE	FE	1
485	115-430100-97	. . FRAME-LH AFT AND RH FORWARD SIDE	FE	1
490	114-430072-6	. . SKIN ASSY-LH BONDED	FE	1
-495	114-430072-5	. . SKIN ASSY-RH BONDED	FE	1
-500	MS21059L08	. . . NUTPLATE	FE	6
505	115-430100-131	. . FORMER-LH FORWARD AND RH AFT	FE	1
510	115-430100-129	. . FORMER-LH AFT AND RH FORWARD	FE	1
515	131836-09740	. SEAL-RUBBER	FE	1
-520	114-530211-1	. WINDOW INSTL-INNER WITHOUT WINDOW BLINDS	FE	RF
525	114-530196-1	. . WINDOW ASSY-INNER	FE	RF
		UC001-UC999	FE	

MISSING ITEM NO. NOT APPLICABLE

- ITEM NOT ILLUSTRATED

52-20-00-02

PAGE 4
AUG 01/19

Beechcraft Corporation

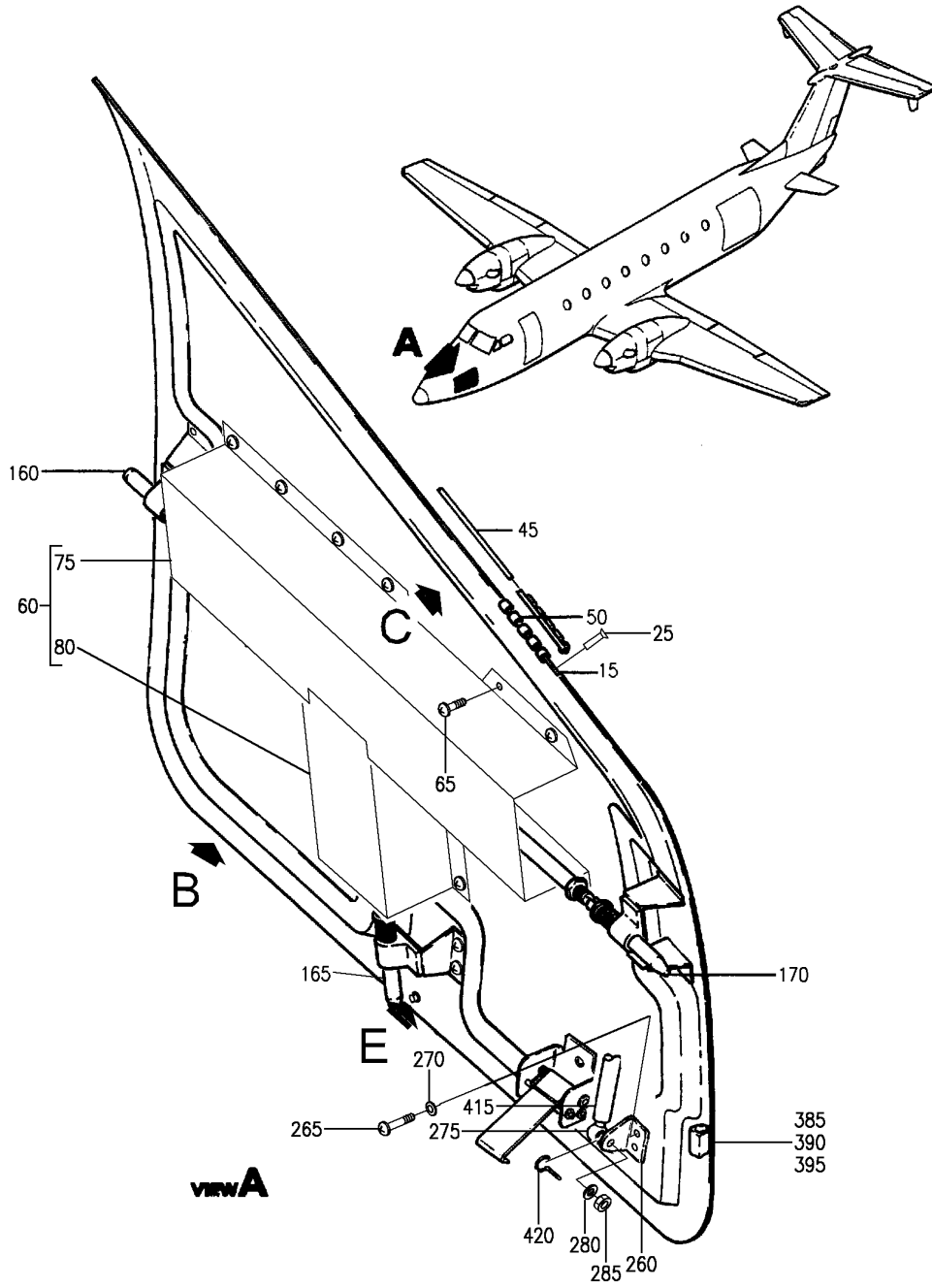
MODEL 1900C AIRLINER ILLUSTRATED PARTS CATALOG

52-30-00-02

NOSE BAGGAGE AND AVIONICS DOOR

Beechcraft Corporation

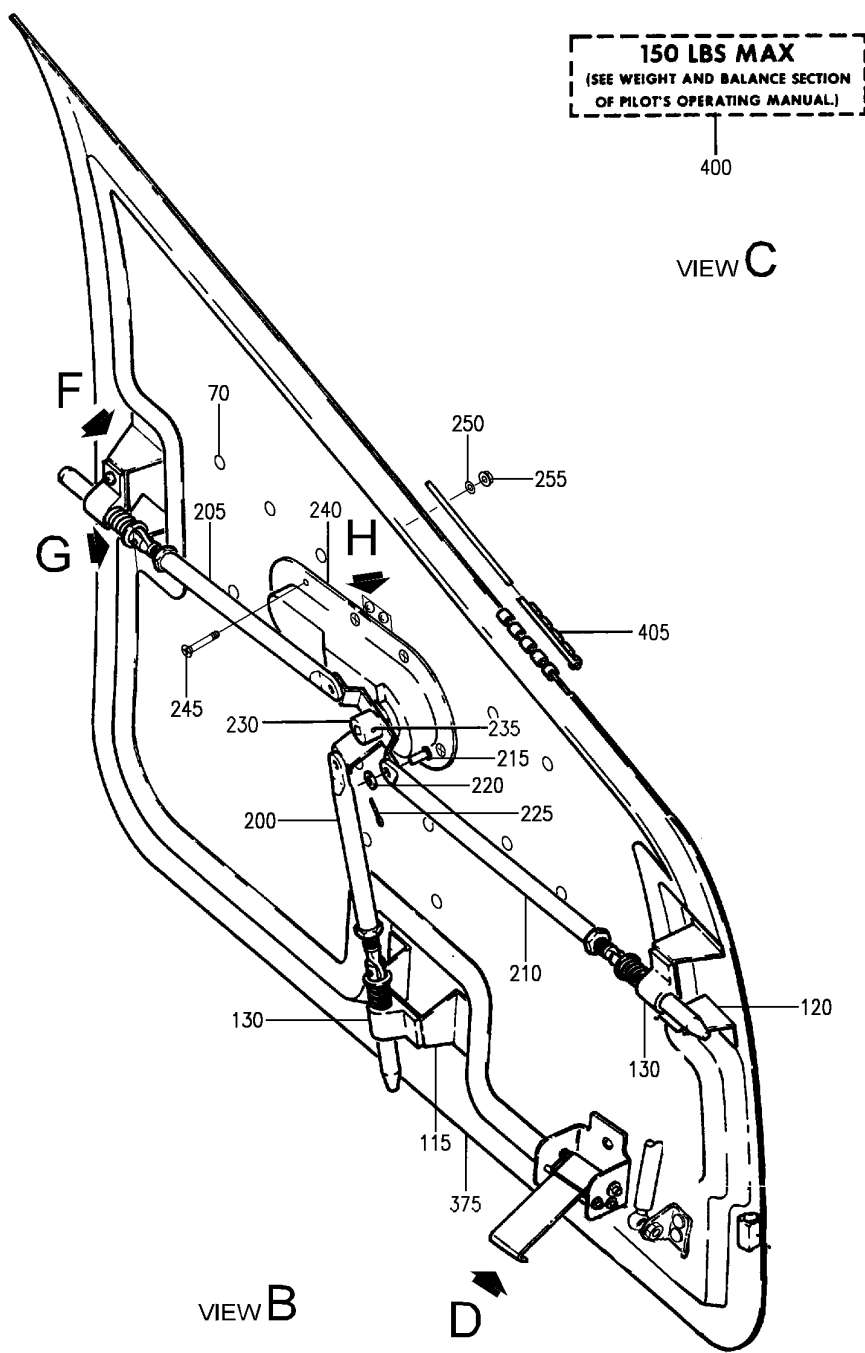
MODEL 1900C AIRLINER ILLUSTRATED PARTS CATALOG



K 52300002 SH1 1 REV 042

NOSE BAGGAGE AND AVIONICS DOOR
SHEET 1 OF 3

Beechcraft Corporation
MODEL 1900C AIRLINER ILLUSTRATED PARTS CATALOG

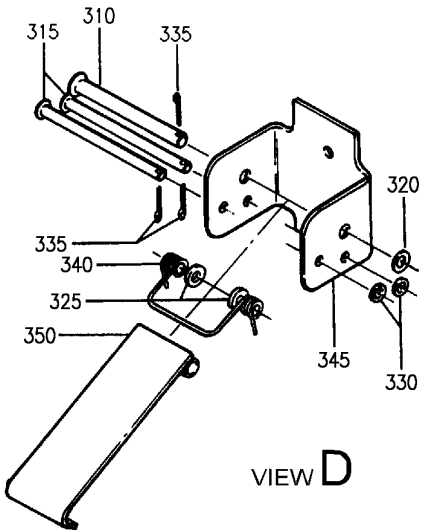


K 52300002 SH1 2 REV 042

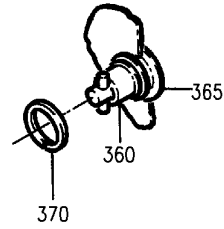
NOSE BAGGAGE AND AVIONICS DOOR
SHEET 2 OF 3

Beechcraft Corporation

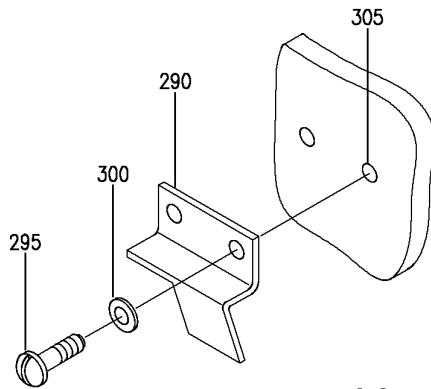
MODEL 1900C AIRLINER ILLUSTRATED PARTS CATALOG



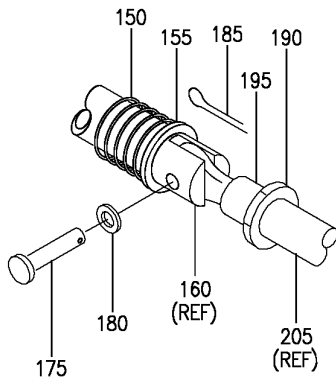
VIEW D



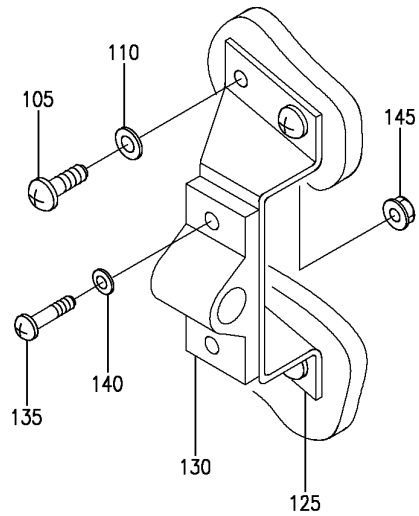
VIEW E



VIEW H



VIEW G



VIEW F

K 52300002 SH1 3 REV 042

NOSE BAGGAGE AND AVIONICS DOOR
SHEET 3 OF 3

52-30-00-02
PAGE 0B
AUG 01/19

Beechcraft Corporation

MODEL 1900C AIRLINER ILLUSTRATED PARTS CATALOG

FIG ITEM	PART NUMBER	NOMENCLATURE 1 2 3 4 5 6 7	USABLE ON CODE	UNITS PER ASSY
02		NOSE BAGGAGE AND AVIONICS DOOR		
-5	114-410022-1	DOOR INSTL-NOSE BAGGAGE LH FOR NHA SEE: 53-10-00-07	FE	RF
-10	114-410022-69	DOOR INSTL-NOSE AVIONICS RH FOR NHA SEE: 53-10-00-07	FE	RF
15	114-410022-21	. FILLER-LH	FE	1
-20	114-410022-22	. FILLER-RH	FE	1
		ATTACHING PARTS		
25	MS24694-S2	. SCREW FOR SPARES ORDER: NASM24694-S2	FE	2
25	NASM24694-S2	. SCREW SPARES REPLACEMENT FOR: MS24694-S2	FE	2
-30	MS21059L08	. NUTPLATE -----*	FE	2
-35	114-410022-73	. DOOR ASSY-NOSE BAGGAGE, LH	FE	1
-40	114-410022-67	. DOOR ASSY-NOSE AVIONICS, RH ATTACHING PARTS	FE	1
45	114-410022-23	. PIN-HINGE -----*	FE	1
50	114-410022-19	. . HINGE-HALF, LH	FE	1
-55	114-410022-20	. . HINGE-HALF, RH	FE	1
60	114-410022-31	. . COVER ASSY-LH ATTACHING PARTS	FE	1
65	MS27039-0804	. . SCREW	FE	32
70	130173-3-06	. . INSERT -----*	FE	32
75	114-410022-33	. . . COVER	FE	1
80	114-410022-35	. . . COVER-VERTICAL	FE	1
-85	114-410028-37	. . LATCH INSTL-LH NOSE BAGGAGE DOOR	FE	RF
-90	114-410028-7	. . . GUIDE ASSY-LH NOSE BAGGAGE DOOR BOTTOM	FE	1
-95	114-410028-5	. . . GUIDE ASSY-LH NOSE BAGGAGE DOOR FORWARD	FE	1
-100	114-410028-3	. . . GUIDE ASSY-LH NOSE BAGGAGE DOOR AFT ATTACHING PARTS	FE	1
105	MS27039-0804	. . . SCREW	FE	4
110	AN960-8L	. . . WASHER -----*	FE	4
115	114-410028-13 BRACKET-LH NOSE BAGGAGE DOOR BOTTOM	FE	1
120	114-410028-15 BRACKET-LH NOSE BAGGAGE DOOR FORWARD	FE	1
125	114-410028-11 BRACKET-LH NOSE BAGGAGE DOOR AFT	FE	1
130	50-440089-9 GUIDE ATTACHING PARTS	FE	1
135	MS35206-229 SCREW FOR SPARES ORDER: NASM35206-229	FE	4

MISSING ITEM NO. NOT APPLICABLE

- ITEM NOT ILLUSTRATED

52-30-00-02

PAGE 1
AUG 01/19

Beechcraft Corporation

MODEL 1900C AIRLINER ILLUSTRATED PARTS CATALOG

FIG ITEM	PART NUMBER	NOMENCLATURE 1 2 3 4 5 6 7	USABLE ON CODE	UNITS PER ASSY
02				
135	NASM35206-229 SCREW SPARES REPLACEMENT FOR: MS35206-229	FE	4
140	AN960-06 WASHER	FE	4
145	MS21042L06 NUT -----*	FE	4
150	111504WC0208-5	. . . SPRING	FE	3
155	AN960C616L	. . . WASHER	FE	3
160	114-410028-39	. . . PIN-AFT	FE	1
165	114-410028-41	. . . PIN-BOTTOM	FE	1
170	114-410028-43	. . . PIN-FORWARD ATTACHING PARTS	FE	1
175	MS20392-13C13	. . . PIN-ROLL	FE	1
180	AN960C8	. . . WASHER	FE	1
185	MS24665-132	. . . PIN-COTTER -----*	FE	1
190	130909N14	. . . NUT	FE	3
195	50-440089-5	. . . BOLT-EYE	FE	3
200	130755-0475	. . . ROD-LH BAGGAGE DOOR LATCH	FE	1
205	130755-0915	. . . ROD-LH BAGGAGE DOOR LATCH	FE	1
210	130755-0695	. . . ROD-LH BAGGAGE DOOR LATCH ATTACHING PARTS	FE	1
215	MS20392-1-9	. . . PIN	FE	1
220	AN960-10L	. . . WASHER ALTERNATE SPARE: NAS1149F0332P	FE	1
220	NAS1149F0332P	. . . WASHER ALTERNATE SPARE: AN960-10L	FE	1
225	MS24665-132	. . . PIN-COTTER -----*	FE	1
230	114-410028-9	. . . BELLCRANK ASSY ATTACHING PARTS	FE	1
235	MS9048-102	. . . PIN-ROLL -----*	FE	1
240	102-384006-23	. . . HANDLE ASSY ATTACHING PARTS	FE	1
245	MS24694S51	. . . SCREW	FE	7
250	AN960-10L	. . . WASHER ALTERNATE SPARE: NAS1149F0332P	FE	7
250	NAS1149F0332P	. . . WASHER ALTERNATE SPARE: AN960-10L	FE	7
255	130909N29	. . . NUT -----*	FE	7
260	114-410022-45	. . BRACKET-DOOR COUNTERBALANCE ATTACHING PARTS	FE	1
265	MS27039-1-09	. . SCREW	FE	2

MISSING ITEM NO. NOT APPLICABLE

- ITEM NOT ILLUSTRATED

52-30-00-02

PAGE 2
AUG 01/19

Beechcraft Corporation

MODEL 1900C AIRLINER ILLUSTRATED PARTS CATALOG

FIG ITEM	PART NUMBER	NOMENCLATURE 1 2 3 4 5 6 7	USABLE ON CODE	UNITS PER ASSY
02				
270	AN960-10	. . WASHER ALTERNATE SPARE: NAS1149F0363P	FE	2
270	NAS1149F0363P	. . WASHER ALTERNATE SPARE: AN960-10 -----*	FE	2
275	A9008	. . STUD-BALL ALTERNATE SPARE: 022721 FOR SPARES ORDER: 16298	FE	1
275	022721	. . STUD-BALL ALTERNATE SPARE: A9008	FE	1
275	16298	. . STUD-BALL SPARES REPLACEMENT FOR: A9008 ATTACHING PARTS	FE	1
280	AN960-516L	. . WASHER ALTERNATE SPARE: NAS1149F0532P	FE	1
280	NAS1149F0532P	. . WASHER ALTERNATE SPARE: AN960-516L	FE	1
285	79NTU058	. . NUT -----*	FE	1
290	114-410022-39	. . SUPPORT ATTACHING PARTS	FE	1
295	AN503-8-4	. . SCREW	FE	2
300	AN960-8	. . WASHER	FE	2
305	130173-3-06	. . INSERT -----*	FE	2
310	MS20392-2C47	. . PIN	FE	1
315	MS20392-1C49	. . PIN	FE	2
320	AN960-10L	. . WASHER ALTERNATE SPARE: NAS1149F0332P	FE	1
320	NAS1149F0332P	. . WASHER ALTERNATE SPARE: AN960-10L	FE	1
325	AN960-10	. . WASHER ALTERNATE SPARE: NAS1149F0363P	FE	2
325	NAS1149F0363P	. . WASHER ALTERNATE SPARE: AN960-10	FE	2
330	AN960-4	. . WASHER ALTERNATE SPARE: NAS1149FN432P	FE	2
330	NAS1149FN432P	. . WASHER ALTERNATE SPARE: AN960-4	FE	2
335	MS24665-151	. . PIN-COTTER	FE	3
340	58-410018-7	. . SPRING	FE	1
MISSING ITEM NO. NOT APPLICABLE				

- ITEM NOT ILLUSTRATED

52-30-00-02

PAGE 3
AUG 01/19

Beechcraft Corporation

MODEL 1900C AIRLINER ILLUSTRATED PARTS CATALOG

FIG ITEM	PART NUMBER	NOMENCLATURE 1 2 3 4 5 6 7	USABLE ON CODE	UNITS PER ASSY
02				
345	114-410022-57	. . BRACKET ASSY-LH SECONDARY SAFETY LATCH	FE	1
350	114-410022-63	. . . HOOK ASSY-SECONDARY LATCH	FE	1
-355	114-410022-30	. . BRACKET-RH SECONDARY SAFETY LATCH	FE	1
360	40S5-17	. . STUD-RH	FE	3
365	4002-P3-250	. . GROMMET-RH	FE	3
370	4002SW	. . RING-RETAINING	FE	3
375	114-410022-9	. . STRUCTURE ASSY-DOOR, LH NOSE BAGGAGE FOR DETAILS SEE: 53-30-00-03	FE	1
-380	114-410022-71	. . STRUCTURE ASSY-DOOR, RH NOSE AVIONICS FOR DETAILS SEE: 53-30-00-03	FE	1
385	114-410022-75	. SEAL ASSY	FE	1
390	114-410022-25	. . SEAL	FE	1
395	114-410022-77	. . INSERT	FE	1
400	114-530063-3	. DECAL-NOSE BAGGAGE LIMITATION FOR SPARES ORDER: 114-530063-5	A	1
400	114-530063-5	. DECAL-NOSE BAGGAGE LIMITATION SPARES REPLACEMENT FOR: 114-530063-3	FE	1
405	114-410022-37	. HINGE-HALF, LH	FE	1
-410	114-410022-38	. HINGE-HALF, RH	FE	1
415	114-384029-1	. SPRING-GAS	FE	1
420	A9002	. CLIP-SAFETY	FE	2
		UC001-UC066	A	
		UC001-UC999	FE	

MISSING ITEM NO. NOT APPLICABLE

- ITEM NOT ILLUSTRATED

52-30-00-02

PAGE 4
AUG 01/19

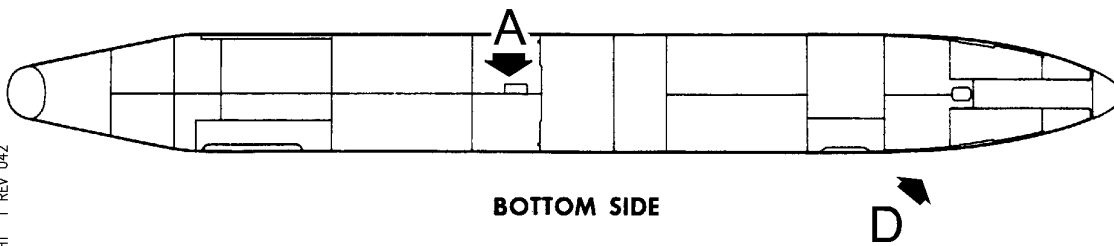
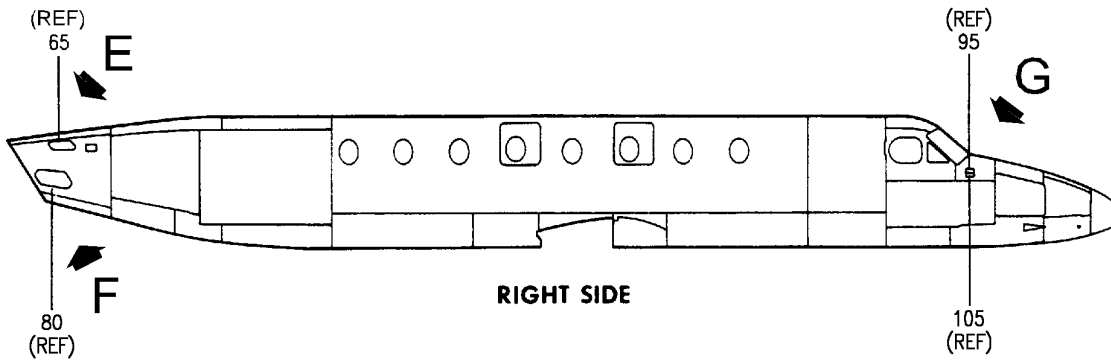
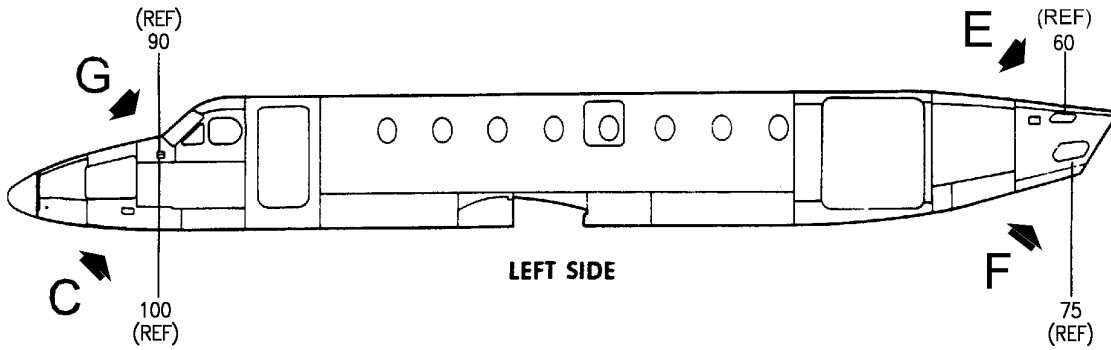
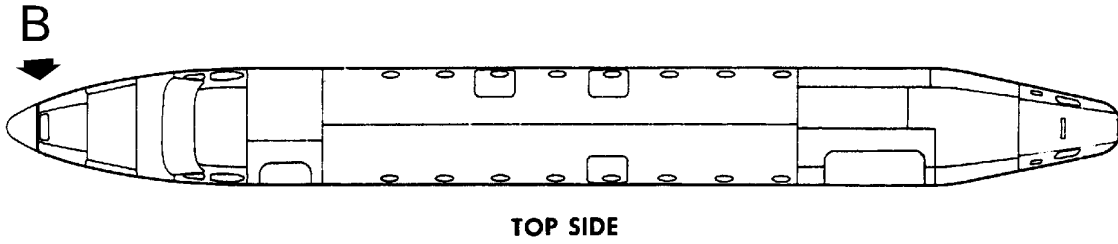
Beechcraft Corporation

MODEL 1900C AIRLINER ILLUSTRATED PARTS CATALOG

52-40-00-03

FUSELAGE ACCESS SERVICE DOORS

Beechcraft Corporation
MODEL 1900C AIRLINER ILLUSTRATED PARTS CATALOG

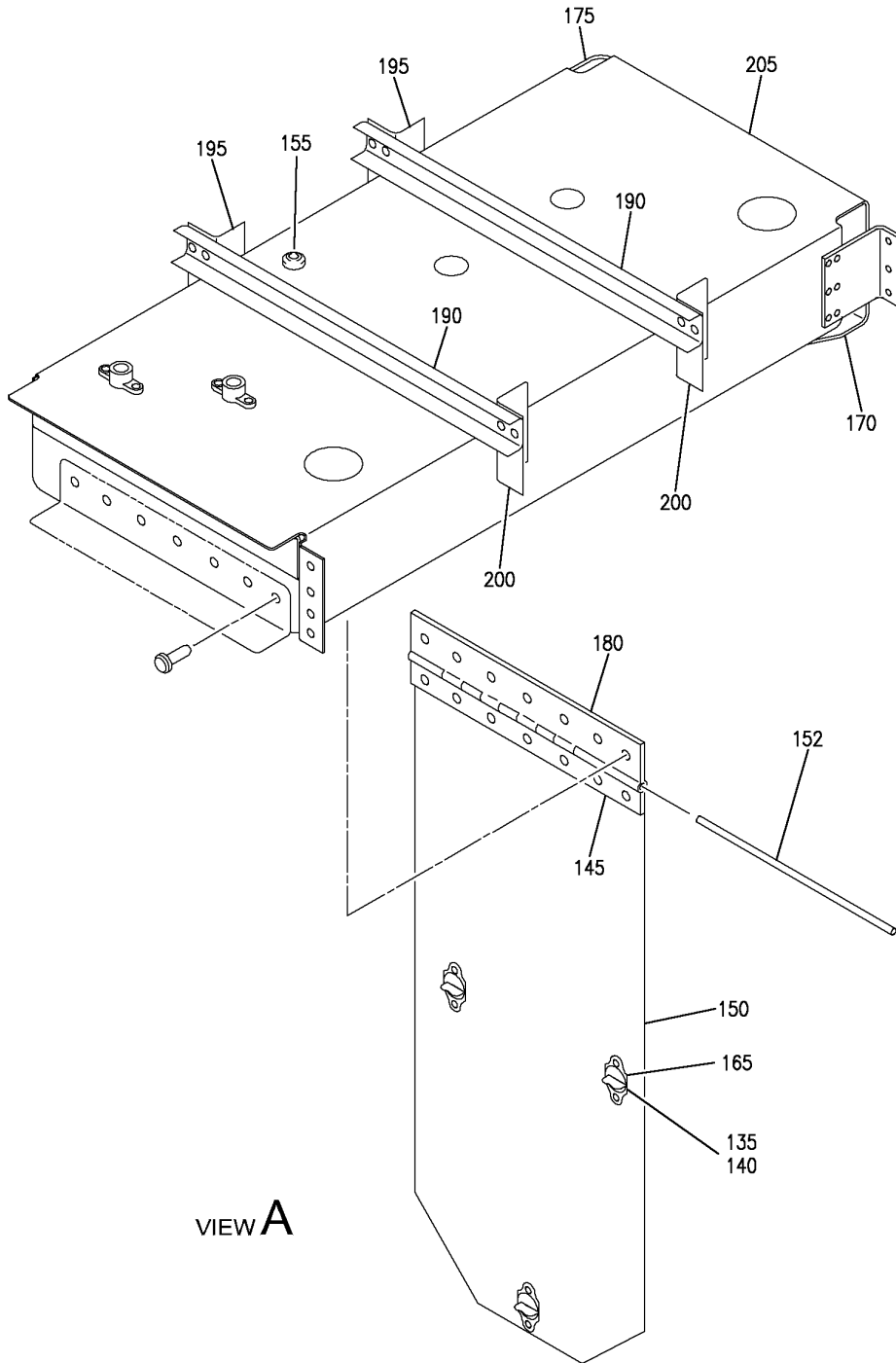


K 5240003 SH 1 REV 042

FUSELAGE ACCESS SERVICE DOORS
SHEET 1 OF 3

52-40-00-03
PAGE 0
AUG 01/19

Beechcraft Corporation
MODEL 1900C AIRLINER ILLUSTRATED PARTS CATALOG



VIEW A

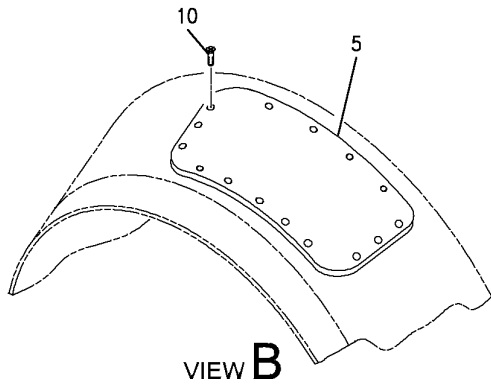
K 52400003 SH1 2 REV 042

FUSELAGE ACCESS SERVICE DOORS
SHEET 2 OF 3

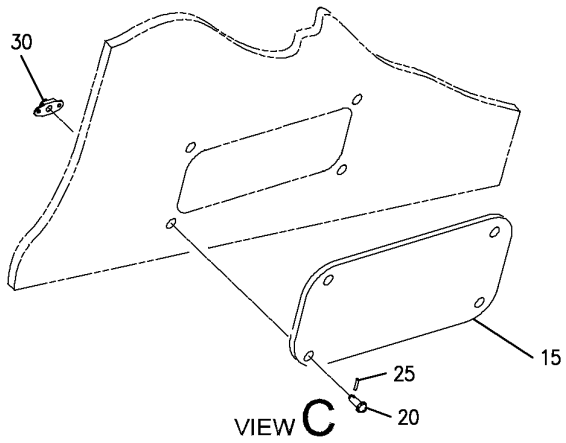
52-40-00-03
PAGE 0A
AUG 01/19

Beechcraft Corporation

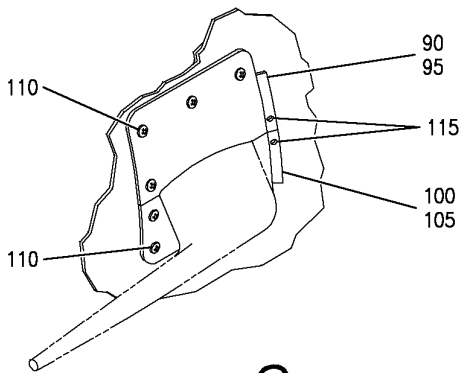
MODEL 1900C AIRLINER ILLUSTRATED PARTS CATALOG



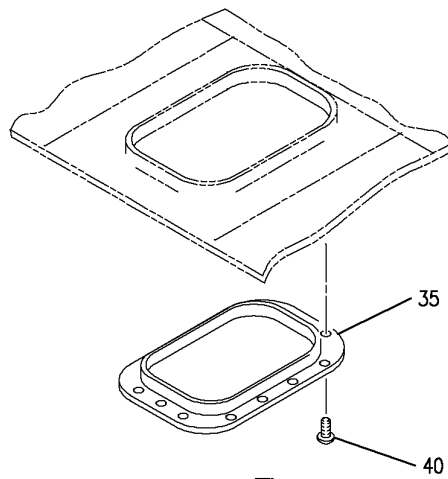
VIEW B



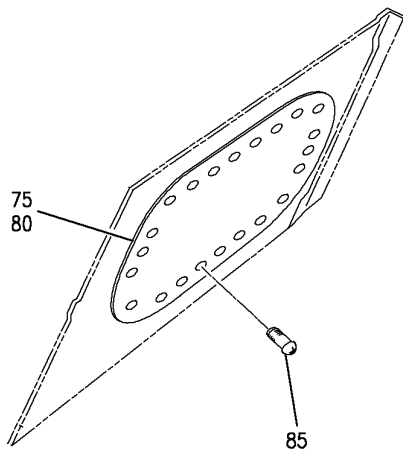
VIEW C



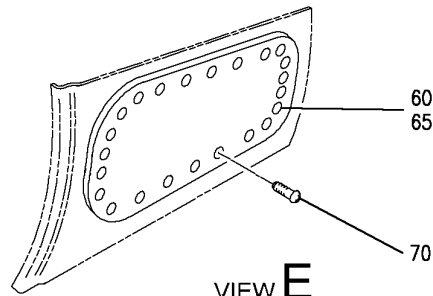
VIEW G



VIEW D



VIEW F



VIEW E

K 5240003 SH1 3 REV 042

FUSELAGE ACCESS SERVICE DOORS
SHEET 3 OF 3

52-40-00-03
PAGE 0B
AUG 01/19

Beechcraft Corporation

MODEL 1900C AIRLINER ILLUSTRATED PARTS CATALOG

FIG ITEM	PART NUMBER	NOMENCLATURE 1 2 3 4 5 6 7	USABLE ON CODE	UNITS PER ASSY
03		FUSELAGE ACCESS SERVICE DOORS		
5	112-410042-3	DOOR-NOSE LANDING GEAR RETRACT CYLINDER ACCESS	FE	RF
		ATTACHING PARTS		
10	MS24694S5	SCREW	FE	15
		----- * -----		
15	114-410000-99	COVER-AIR CONDITIONING SERVICE ACCESS	FE	1
		ATTACHING PARTS		
20	130176-2SF09	STUD	FE	4
25	130177-2	PIN	FE	4
30	130175-2P098	RECEPTACLE	FE	4
		----- * -----		
35	50-420011-315	DOOR ASSY-CONTROL CABLES ACCESS	FE	1
		ATTACHING PARTS		
40	MS35207-261	SCREW	FE	14
		FOR SPARES ORDER: NASM35207-261		
40	NASM35207-261	SCREW	FE	14
		SPARES REPLACEMENT FOR: MS35207-261		
		----- * -----		
60	114-440027-7	COVER-LH FLIGHT CONTROL CABLES ACCESS	FE	1
65	114-440027-8	COVER-RH FLIGHT CONTROL CABLES ACCESS	FE	1
		ATTACHING PARTS		
70	MS27039-1-06	SCREW	FE	23
		----- * -----		
75	114-440025-7	COVER-LH FLIGHT CONTROL CABLES ACCESS	FE	1
80	114-440025-8	COVER-RH FLIGHT CONTROL CABLES ACCESS	FE	1
		ATTACHING PARTS		
85	MS27039-1-06	SCREW	FE	22
		----- * -----		
90	114-320065-1	DOOR ASSY-LH UPPER HALF SEE CHAPTER 34-10-00-03	FE	1
95	114-320065-2	DOOR ASSY-RH UPPER HALF SEE CHAPTER 34-10-00-03	FE	1
100	114-320065-3	DOOR ASSY-LH LOWER HALF SEE CHAPTER 34-10-00-03	FE	1
105	114-320065-4	DOOR ASSY-RH LOWER HALF SEE CHAPTER 34-10-00-03	FE	1
		ATTACHING PARTS		
110	MS24693S272	SCREW	FE	8
115	MS24693-S2	SCREW	FE	1
		FOR SPARES ORDER: NASM24693-S2		
115	NASM24693-S2	SCREW	FE	1
		SPARES REPLACEMENT FOR: MS24693-S2		
		----- * -----		
MISSING ITEM NO. NOT APPLICABLE				

- ITEM NOT ILLUSTRATED

52-40-00-03

PAGE 1
AUG 01/19

Beechcraft Corporation

MODEL 1900C AIRLINER ILLUSTRATED PARTS CATALOG

FIG ITEM	PART NUMBER	NOMENCLATURE 1 2 3 4 5 6 7	USABLE ON CODE	UNITS PER ASSY
03				
-120	114-430111-1	DOOR INSTL-AIR CONDITIONING SERVICE PORTS ACCESS FOR NHA/ADDITIONAL DET SEE: 53-10-00-22	FE	RF
-125	114-430111-3	. DOOR ASSY-AIR CONDITIONING SERVICE ACCESS	FE	1
135	130177-2	. . PIN	FE	3
140	130176-2SR09	. . STUD	FE	3
145	114-430111-17	. . HINGE-HALF	FE	1
150	114-430111-13	. . DOOR ATTACHING PARTS	FE	1
152	MS20253-2-438	. PIN-HINGE -----*	FE	1
155	MS35489-1	. GROMMET	FE	1
-160	22NA1K3-02	. NUTPLATE	FE	2
165	130175-2P098	. RECEPTACLE	FE	3
170	114-430111-11	. ANGLE-CLOSURE	FE	2
175	114-430111-23	. ANGLE	FE	2
180	114-430111-15	. HINGE-HALF	FE	1
-185	114-430111-5	. BOX ASSY	FE	1
190	114-430111-9	. . STIFFENER	FE	2
195	114-430111-21	. . ANGLE	FE	2
200	114-430111-19	. . ANGLE	FE	2
205	114-430111-7	. . BOX	FE	1
		UC001-UC999	FE	
		MISSING ITEM NO. NOT APPLICABLE		

- ITEM NOT ILLUSTRATED

52-40-00-03

PAGE 2
AUG 01/19

Beechcraft Corporation

MODEL 1900C AIRLINER ILLUSTRATED PARTS CATALOG

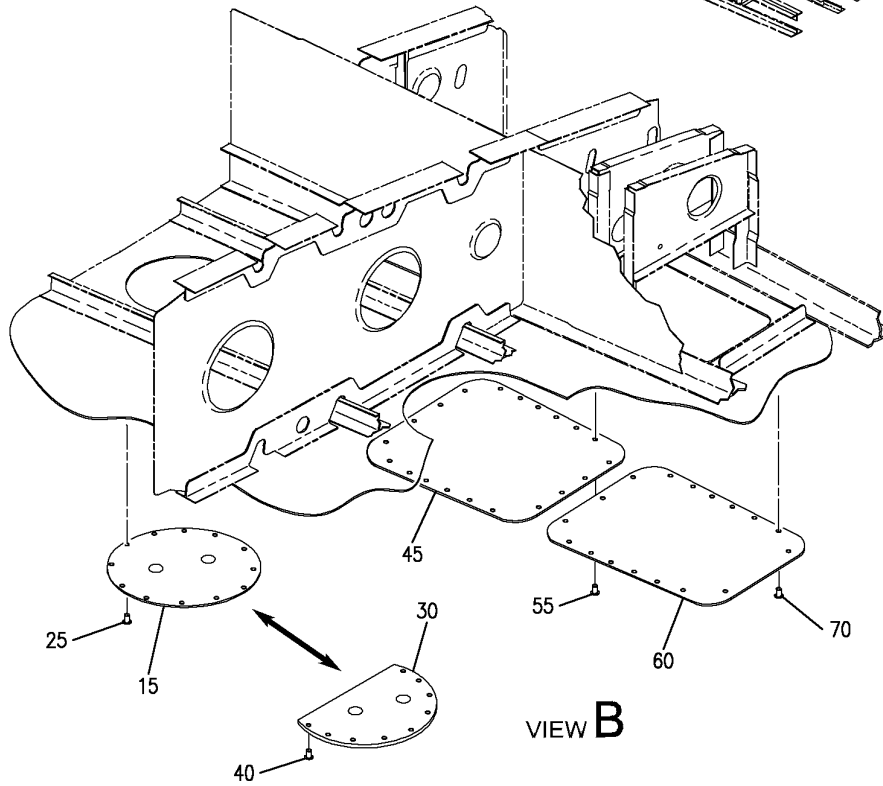
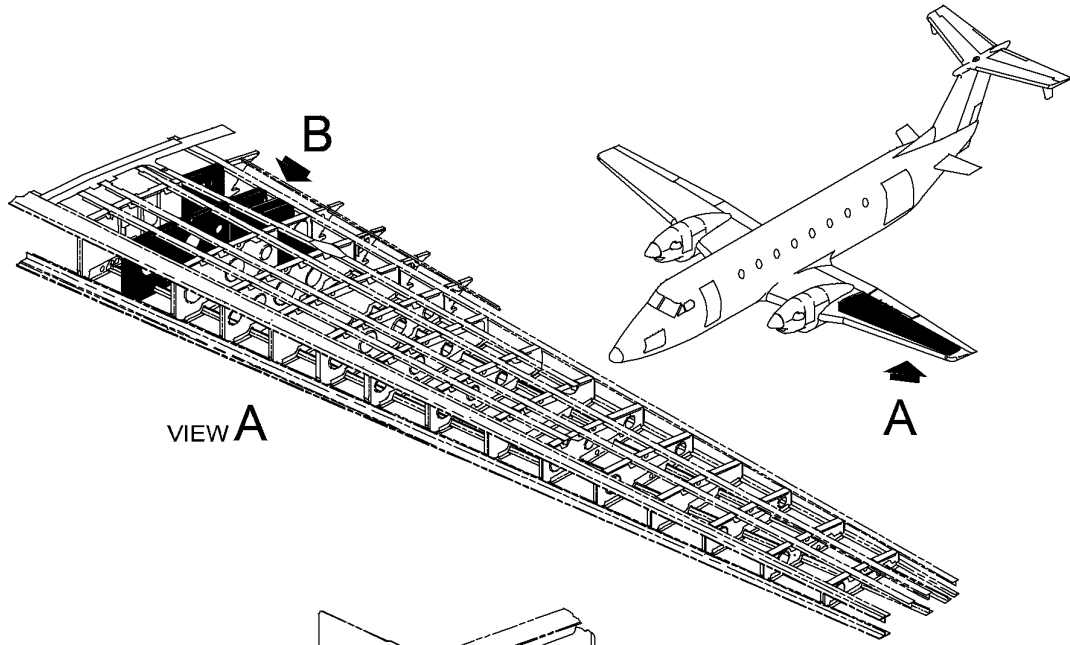
52-40-00-06

ACCESS DOORS-WING

52-40-00-06

Beechcraft Corporation

MODEL 1900C AIRLINER ILLUSTRATED PARTS CATALOG



K 52400006 REV 042

ACCESS DOORS-WING

Beechcraft Corporation

MODEL 1900C AIRLINER ILLUSTRATED PARTS CATALOG

FIG ITEM	PART NUMBER	NOMENCLATURE 1 2 3 4 5 6 7	USABLE ON CODE	UNITS PER ASSY
06				
-5	118-110014-1	ACCESS DOORS-WING SKIN ASSY-LH LOWER OUTBOARD WING FOR NHA/OTHER SYSTEM DET SEE: 57-10-00-07	A	RF
-5	118-110014-39	SKIN ASSY-LH LOWER OUTBOARD WING FOR NHA/OTHER SYSTEM DET SEE: 57-10-00-07	B	RF
-10	118-110014-2	SKIN ASSY-RH LOWER OUTBOARD WING FOR NHA/OTHER SYSTEM DET SEE: 57-10-00-07	A	RF
-10	118-110014-40	SKIN ASSY-RH LOWER OUTBOARD WING FOR NHA/OTHER SYSTEM DET SEE: 57-10-00-07	B	RF
15	118-110014-33	. DOOR-LH	A	1
-20	118-110014-34	. DOOR-RH	A	1
25	MS24694-S47	ATTACHING PARTS . SCREW FOR SPARES ORDER: NASM24694-S47	A	12
25	NASM24694-S47	. SCREW SPARES REPLACEMENT FOR: MS24694-S47 -----*	A	12
30	118-110014-53	. DOOR-LH	B	1
-35	118-110014-54	. DOOR-RH	B	1
40	MS24694-S47	ATTACHING PARTS . SCREW FOR SPARES ORDER: NASM24694-S47	B	9
40	NASM24694-S47	. SCREW SPARES REPLACEMENT FOR: MS24694-S47 -----*	B	9
45	118-110014-25	. DOOR-LH	FE	1
-50	118-110014-26	. DOOR-RH	FE	1
55	MS24694-S47	ATTACHING PARTS . SCREW FOR SPARES ORDER: NASM24694-S47	FE	19
55	NASM24694-S47	. SCREW SPARES REPLACEMENT FOR: MS24694-S47 -----*	FE	19
60	118-110014-31	. DOOR-LH	FE	1
-65	118-110014-32	. DOOR-RH	FE	1

MISSING ITEM NO. NOT APPLICABLE

- ITEM NOT ILLUSTRATED

52-40-00-06

PAGE 1
AUG 01/19

Beechcraft Corporation

MODEL 1900C AIRLINER ILLUSTRATED PARTS CATALOG

FIG ITEM	PART NUMBER	NOMENCLATURE 1 2 3 4 5 6 7	USABLE ON CODE	UNITS PER ASSY
06				
70	MS24694-S47	ATTACHING PARTS . SCREW	FE	17
		FOR SPARES ORDER: NASM24694-S47		
70	NASM24694-S47	. SCREW	FE	17
		SPARES REPLACEMENT FOR: MS24694-S47 -----*		
		UC001-UC087 UC088-UC999 UC001-UC999	A B FE	
		MISSING ITEM NO. NOT APPLICABLE		

- ITEM NOT ILLUSTRATED

52-40-00-06

PAGE 2
AUG 01/19

Beechcraft Corporation

MODEL 1900C AIRLINER ILLUSTRATED PARTS CATALOG

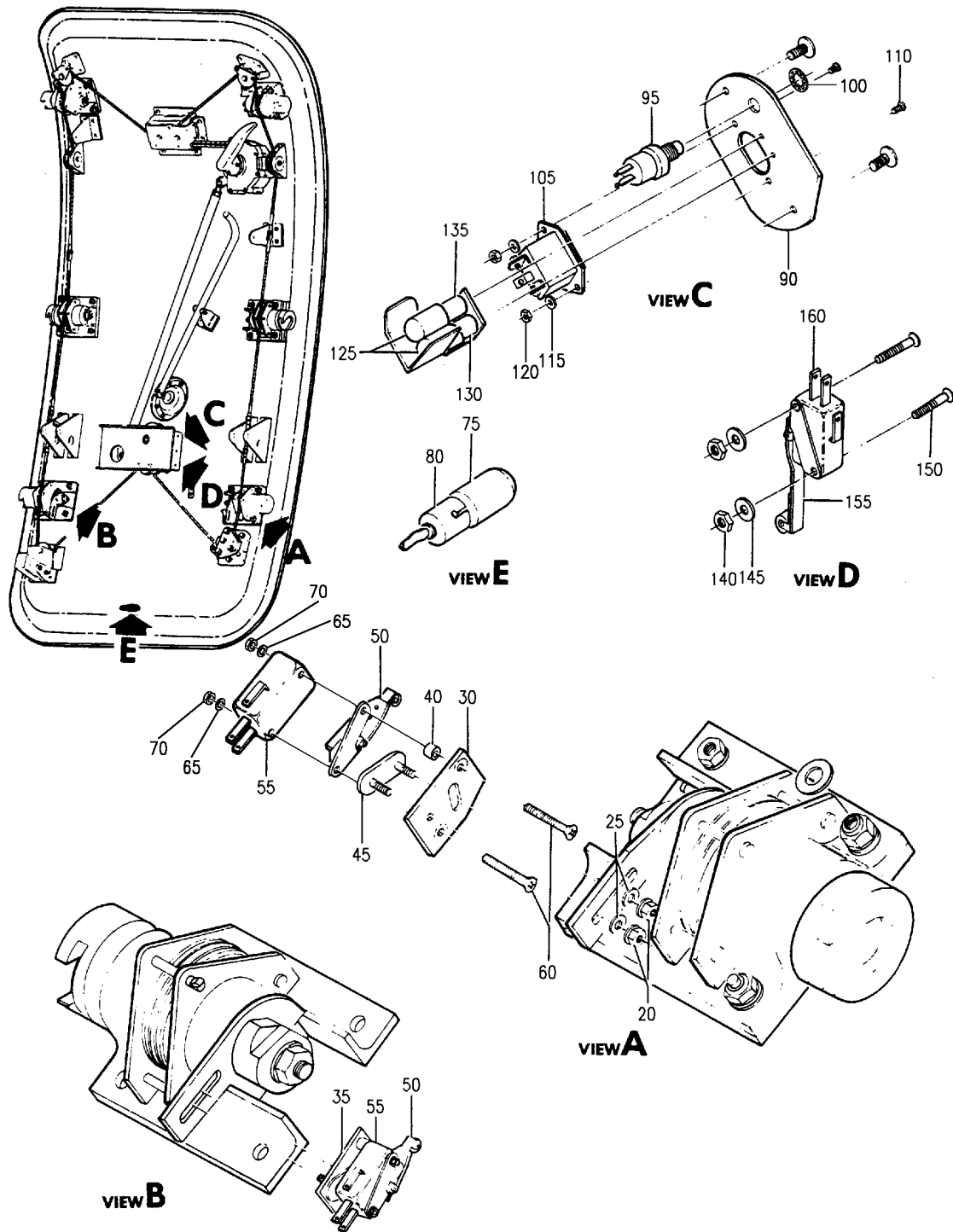
52-70-00-05

AIRSTAIR DOOR ELECT EQUIP

52-70-00-05

Beechcraft Corporation

MODEL 1900C AIRLINER ILLUSTRATED PARTS CATALOG



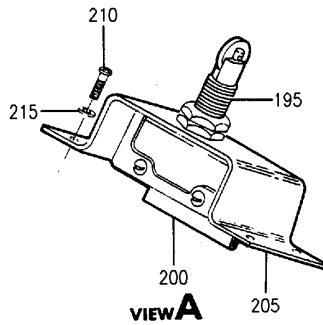
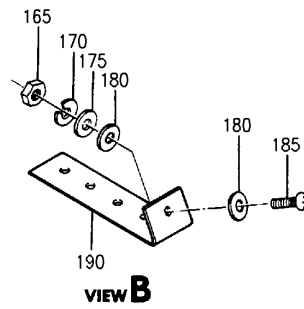
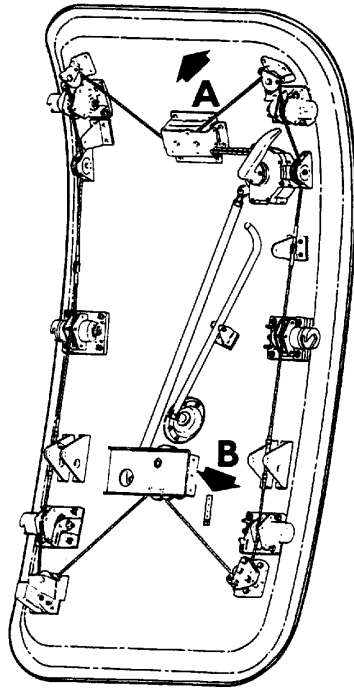
K 52700005 SH1 1 REV 042

AIRSTAIR DOOR ELECT EQUIP
SHEET 1 OF 2

52-70-00-05
PAGE 0
AUG 01/19

Beechcraft Corporation

MODEL 1900C AIRLINER ILLUSTRATED PARTS CATALOG



K 5270005 SHIT 2 REV 000

AIRSTAIR DOOR ELECT EQUIP
SHEET 2 OF 2

52-70-00-05
PAGE 0A
AUG 01/19

Beechcraft Corporation

MODEL 1900C AIRLINER ILLUSTRATED PARTS CATALOG

PAGE INTENTIONALLY LEFT BLANK

Beechcraft Corporation

MODEL 1900C AIRLINER ILLUSTRATED PARTS CATALOG

FIG ITEM	PART NUMBER	NOMENCLATURE 1 2 3 4 5 6 7	USABLE ON CODE	UNITS PER ASSY
05		AIRSTAIR DOOR ELECT EQUIP		
-5	114-364096-1	EQUIPMENT INSTL-ELECTRICAL	FE	RF
		AIRSTAIR DOOR		
-10	101-364466-1	. SWITCH ASSY-FORWARD	FE	1
-15	101-364466-2	. SWITCH ASSY-AFT	FE	1
		ATTACHING PARTS		
20	MS21042L06	. NUT	FE	2
25	NAS1149FN616P	. WASHER	FE	2
		-----*		
30	101-364467-1	. . BRACKET-FORWARD	FE	1
35	101-364467-2	. . BRACKET-AFT	FE	1
40	NAS43DD08	. . SPACER	FE	2
45	101-364467-5	. . PLATE ASSY-STUD	FE	1
50	JV-20	. . ACTUATOR-SWITCH	FE	1
55	V3-101D8	. . SWITCH	FE	1
		ATTACHING PARTS		
60	MS24693-S9	. . SCREW	FE	2
		FOR SPARES ORDER:		
		NASM24693-S9		
60	NASM24693-S9	. . SCREW	FE	2
		SPARES REPLACEMENT FOR:		
		MS24693-S9		
65	NAS1149FN416P	. . WASHER	FE	2
70	MS21042L04	. . NUT	FE	2
		-----*		
75	1864	. LAMP-TOP STEP LIGHT	FE	1
80	02-20XP122	. LAMPHOLDER	FE	1
-85	114-364096-5	. SWITCH AND HARNESS ASSY	FE	1
		LIGHT		
90	114-364096-7	. . HARNESS ASSY	FE	1
95	30-1	. . SWITCH	FE	1
		ATTACHING PARTS		
100	MS35333-40	. . WASHER	FE	1
		NUT FURNISHED WITH SWITCH		
		-----*		
105	AN3209-3	. . SWITCH-ENTRY LIGHT	FE	1
		ATTACHING PARTS		
110	MS35206-227	. . SCREW	FE	2
		FOR SPARES ORDER:		
		NASM35206-227		
110	NASM35206-227	. . SCREW	FE	2
		SPARES REPLACEMENT FOR:		
		MS35206-227		
115	NAS1149FN616P	. . WASHER	FE	2
120	MS21042L06	. . NUT	FE	2
		-----*		
125	1864	. . LAMP	FE	2
130	3-55	. . LAMPHOLDER	FE	1
135	3-65	. . LAMPHOLDER	FE	1
140	MS21042L04	. NUT	FE	2
145	NAS1149FN416P	. WASHER	FE	2
150	MS35206-219	. SCREW	FE	2
		FOR SPARES ORDER:		
		NASM35206-219		

MISSING ITEM NO. NOT APPLICABLE

- ITEM NOT ILLUSTRATED

52-70-00-05

PAGE 1
AUG 01/19

Beechcraft Corporation

MODEL 1900C AIRLINER ILLUSTRATED PARTS CATALOG

FIG ITEM	PART NUMBER	NOMENCLATURE 1 2 3 4 5 6 7	USABLE ON CODE	UNITS PER ASSY
05				
150	NASM35206-219	. SCREW SPARES REPLACEMENT FOR: MS35206-219	FE	2
155	JV267	. ACTUATOR-SWITCH	FE	1
160	V3-101D8	. SWITCH	FE	1
165	130909N29	. NUT	FE	1
170	MS35338-43	. WASHER	FE	1
175	NAS1149F0332P	. WASHER	FE	1
180	NAS1149D0332J	. WASHER	FE	2
185	MS35207-262	. SCREW FOR SPARES ORDER: NASM35207-262	FE	1
185	NASM35207-262	. SCREW SPARES REPLACEMENT FOR: MS35207-262	FE	1
190	114-364047-5	. BRACKET	FE	1
195	MD3211Q1	. ACTUATOR-DOOR AJAR SWITCH	FE	1
200	MS25008-1	. SWITCH-DOOR AJAR	FE	1
205	114-364037-3	. BRACKET ATTACHING PARTS	FE	1
210	MS35206-230	. SCREW FOR SPARES ORDER: NASM35206-230	FE	4
210	NASM35206-230	. SCREW SPARES REPLACEMENT FOR: MS35206-230	FE	4
215	NAS1149FN616P	. WASHER -----*-----	FE	4
-220	114-364096-3	. HARNESS ASSY-AIRSTAIR DOOR WIRING	FE	1
-225	MS3367-5-9	. STRAP-TIE HARNESS ASSY	FE	11
-230	TM2S6	. MOUNT-TIE STRAP	FE	11
-235	114-364096-9	HARNESS ASSY-STEP LIGHTS, HAND RAIL	FE	1
		UC001-UC999	FE	

MISSING ITEM NO. NOT APPLICABLE

- ITEM NOT ILLUSTRATED

52-70-00-05

PAGE 2
AUG 01/19

Beechcraft Corporation

MODEL 1900C AIRLINER ILLUSTRATED PARTS CATALOG

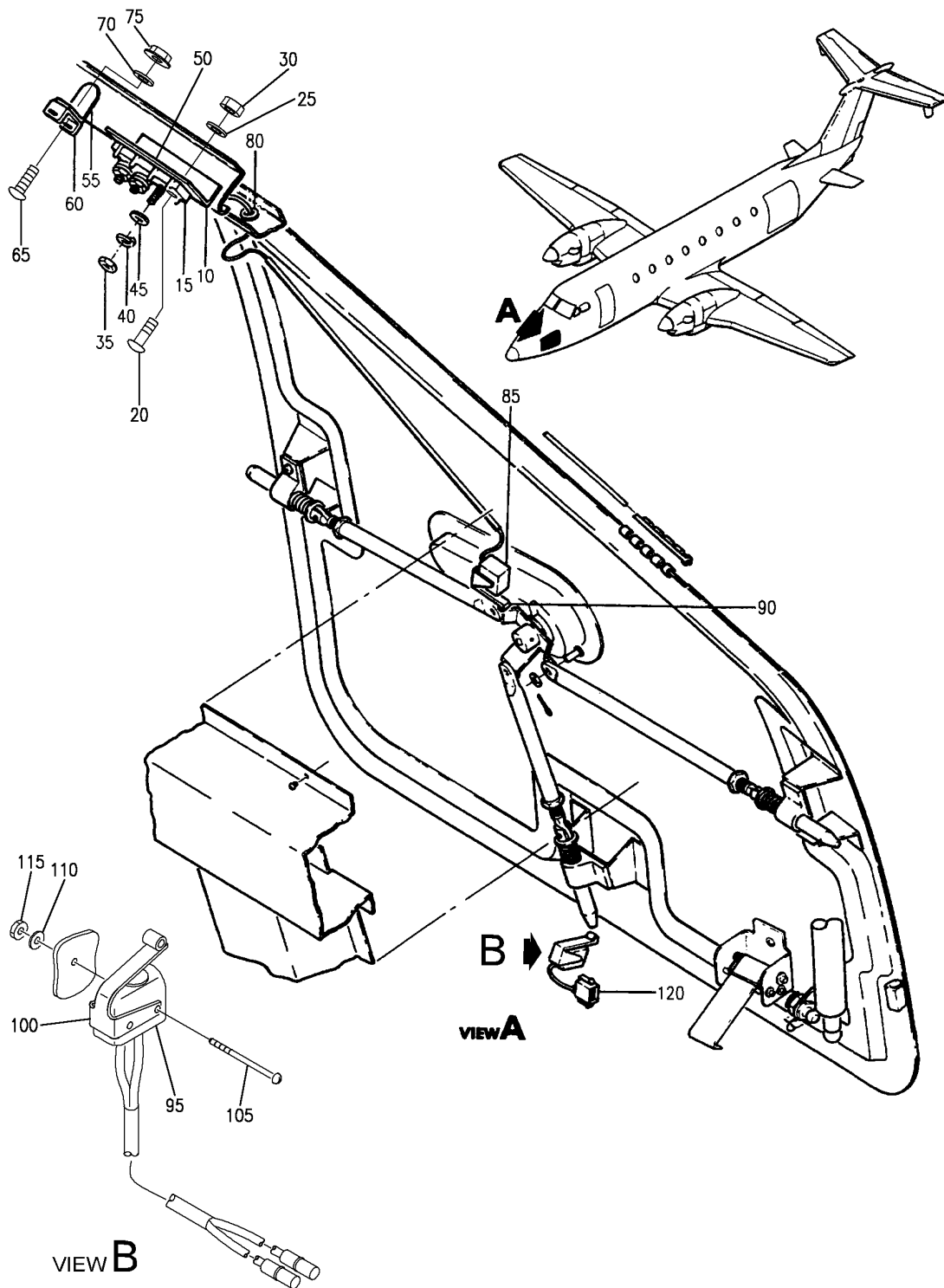
52-70-00-06

NOSE DOOR ELECTRICAL EQUIPMENT

52-70-00-06

Beechcraft Corporation

MODEL 1900C AIRLINER ILLUSTRATED PARTS CATALOG



K 52700006 REV 042

NOSE DOOR ELECTRICAL EQUIPMENT

Beechcraft Corporation

MODEL 1900C AIRLINER ILLUSTRATED PARTS CATALOG

FIG ITEM	PART NUMBER	NOMENCLATURE 1 2 3 4 5 6 7	USABLE ON CODE	UNITS PER ASSY
06		NOSE DOOR ELECTRICAL EQUIPMENT		
-5	118-364044-1	EQUIPMENT INSTL-ELECTRICAL, NOSE BAGGAGE DOOR	FE	RF
10	114-364025-3	. ANGLE	FE	1
15	MS27212-1-3	. TERMINAL BOARD	FE	1
		ATTACHING PARTS		
20	MS35206-215	. SCREW	FE	2
		FOR SPARES ORDER: NASM35206-215		
20	NASM35206-215	. SCREW	FE	2
		SPARES REPLACEMENT FOR: MS35206-215		
25	NAS1149DN416H	. WASHER	FE	2
30	MS21044D04	. NUT	FE	2
		----- *		
35	MS21043-06	. NUT	FE	3
		FOR SPARES ORDER: NASM21043-06		
35	NASM21043-06	. NUT	FE	3
		SPARES REPLACEMENT FOR: MS21043-06		
40	MS35338-41	. WASHER	FE	3
45	NAS1149FN616P	. WASHER	FE	3
50	114675-A1-3	. STRIP-TERMINAL IDENT	FE	1
55	AN743-13	. BRACKET	FE	1
60	TM35-10	. MOUNT	FE	1
		ATTACHING PARTS		
65	MS35206-261	. SCREW	FE	1
		FOR SPARES ORDER: NASM35206-261		
65	NASM35206-261	. SCREW	FE	1
		SPARES REPLACEMENT FOR: MS35206-261		
70	NAS1149D0316J	. WASHER	FE	1
75	130909N29	. NUT	FE	1
		----- *		
80	MS35489-4	. GROMMET	FE	1
85	1SE21-6	. SWITCH	FE	1
90	JE17	. ACTUATOR	FE	1
95	1SE1	. SWITCH	FE	1
100	JE6	. ACTUATOR	FE	1
		ATTACHING PARTS		
105	MS35206-208	. SCREW	FE	2
		FOR SPARES ORDER: NASM35206-208		
105	NASM35206-208	. SCREW	FE	2
		SPARES REPLACEMENT FOR: MS35206-208		
110	MS15795-802	. WASHER	FE	2
115	MS21042-02	. NUT	FE	2
		FOR SPARES ORDER: NASM21042-02		
115	NASM21042-02	. SCREW	FE	2
		SPARES REPLACEMENT FOR: MS21042-02		
		----- *		

MISSING ITEM NO. NOT APPLICABLE

- ITEM NOT ILLUSTRATED

52-70-00-06

PAGE 1
AUG 01/19

Beechcraft Corporation

MODEL 1900C AIRLINER ILLUSTRATED PARTS CATALOG

FIG ITEM	PART NUMBER	NOMENCLATURE 1 2 3 4 5 6 7	USABLE ON CODE	UNITS PER ASSY
06 120 -125	1-480701-0 350690-1	. HOUSING . PIN-CONTACT UC001-UC999	FE FE FE	1 3
MISSING ITEM NO. NOT APPLICABLE				

- ITEM NOT ILLUSTRATED

52-70-00-06

PAGE 2
AUG 01/19

Beechcraft Corporation

MODEL 1900C AIRLINER ILLUSTRATED PARTS CATALOG

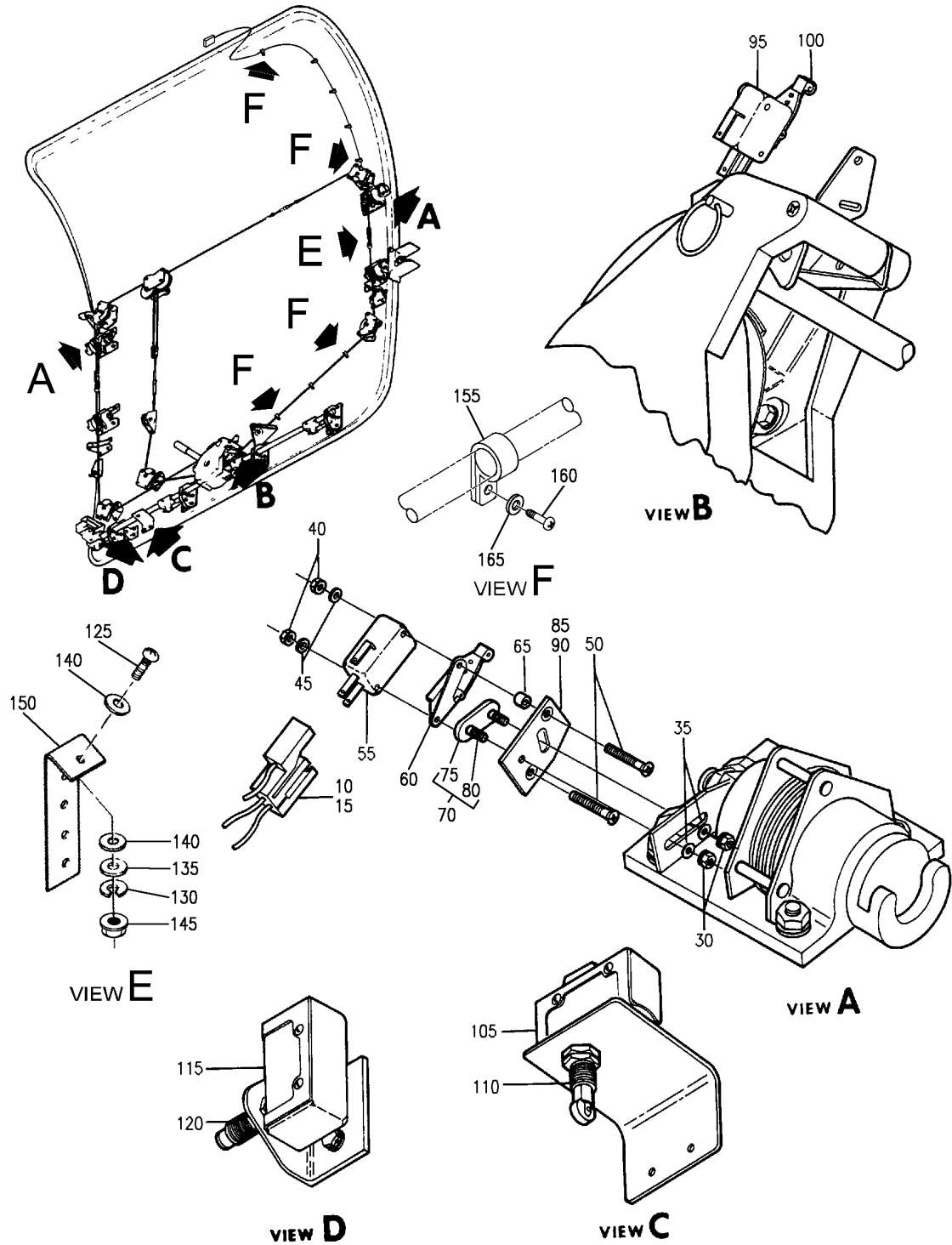
52-70-00-07

CARGO DOOR ELECTRICAL EQUIPMENT

52-70-00-07

Beechcraft Corporation

MODEL 1900C AIRLINER ILLUSTRATED PARTS CATALOG



K 52700007 REV 042

CARGO DOOR ELECTRICAL EQUIPMENT

Beechcraft Corporation

MODEL 1900C AIRLINER ILLUSTRATED PARTS CATALOG

FIG ITEM	PART NUMBER	NOMENCLATURE 1 2 3 4 5 6 7	USABLE ON CODE	UNITS PER ASSY
07		CARGO DOOR ELECTRICAL EQUIPMENT		
-5	114-364047-1	EQUIPMENT INSTL-ELECTRICAL, CARGO DOOR	FE	RF
10	360010-1	. HOUSING-TERMINAL	FE	3
15	61815-1	. RECEPTACLE	FE	9
-20	101-364466-1	. SWITCH ASSY-AFT LATCH	FE	1
-25	101-364466-2	. SWITCH ASSY-FORWARD LATCH	FE	1
		ATTACHING PARTS		
30	MS21042L06	. NUT	FE	2
35	NAS1149FN632P	. WASHER	FE	2
		-----*		
40	MS21042L04	. . NUT	FE	2
45	NAS1149FN416P	. . WASHER	FE	2
50	MS24693-S9	. . SCREW	FE	2
		FOR SPARES ORDER: NASM24693-S9		
50	NASM24693-S9	. . SCREW	FE	2
		SPARES REPLACEMENT FOR: MS24693-S9		
55	V3-101D8	. . SWITCH	FE	1
60	JV-20	. . ACTUATOR-SWITCH	FE	1
65	NAS43DD0-12FC	. . SPACER	FE	2
70	101-364467-5	. . PLATE ASSY-STUD	FE	1
75	101-364467-3	. . . PLATE-STUD	FE	1
80	46S-ST14	. . . STUD	FE	2
85	101-364467-1	. . BRACKET-AFT LATCH SWITCH	FE	1
90	101-364467-2	. . BRACKET-FORWARD LATCH SWITCH	FE	1
95	V3-101D8	. SWITCH	FE	1
100	JV-20	. ACTUATOR	FE	1
105	MS25008-1	. SWITCH	FE	1
110	MD3211Q1	. ACTUATOR	FE	1
115	MS25026-1	. SWITCH	FE	1
120	MCD2711	. ACTUATOR	FE	1
125	MS35207-262	. SCREW-GROUNDING	FE	1
		FOR SPARES ORDER: NASM35207-262		
125	NASM35207-262	. SCREW-GROUNDING	FE	1
		SPARES REPLACEMENT FOR: MS35207-262		
130	MS35338-43	. WASHER	FE	1
135	NAS1149F0332P	. WASHER	FE	1
140	NAS1149D0332J	. WASHER	FE	2
145	130909N29	. NUT	FE	1
150	114-364047-5	. BRACKET-GROUNDING	FE	1
155	HP-6N	. CLAMP-CONDUIT MOUNTING ATTACHING PARTS	FE	8
160	MS35206-245	. SCREW	FE	8
		FOR SPARES ORDER: NASM35206-245		
160	NASM35206-245	. SCREW	FE	8
		SPARES REPLACEMENT FOR: MS35206-245		
165	NAS1149FN816P	. WASHER	FE	8
		-----*		
-170	114-364047-7	. CONDUIT	FE	1

MISSING ITEM NO. NOT APPLICABLE

- ITEM NOT ILLUSTRATED

52-70-00-07

PAGE 1
AUG 01/19

Beechcraft Corporation

MODEL 1900C AIRLINER ILLUSTRATED PARTS CATALOG

FIG ITEM	PART NUMBER	NOMENCLATURE 1 2 3 4 5 6 7	USABLE ON CODE	UNITS PER ASSY
07				
-175	114-364047-3	. CONDUIT	FE	1
-180	TM2S6	. MOUNT-ELECTRICAL HARNESS TIE	FE	11
-185	MS3367-5-9	. STRAP-ELECTRICAL HARNESS TIE	FE	11
		UC001-UC999	FE	
		MISSING ITEM NO. NOT APPLICABLE		

- ITEM NOT ILLUSTRATED

52-70-00-07

PAGE 2
AUG 01/19