

# Ignition Application Data

**CONTINENTAL IGNITION SYSTEMS**

# SERVICE SUPPORT MANUAL



**Publication X44001 Revision 4**

©2015 CONTINENTAL MOTORS, INC.

**OCT 2015**



**Supersedure Notice**

This manual is a revision of the service instructions contained in X44001 Revision 3, published in May 1994. Previous versions of X44001 are superseded by this publication and should not be used.

**Effective Changes for this Manual**

0 ..... 15 October 2015			

**List of Effective Pages**

Document Title: Ignition Systems Application Data Service Support Manual

Publication Number: X44001

Initial Publication Date: 15 October 2015

Page	Change	Page	Change	Page	Change	Page	Change
Cover.....	0						
A.....	0						
i to ii.....	0						
1 to 62.....	0						

Published and printed in the U.S.A. by Continental Motors, Inc.

Available exclusively from the publisher: P.O. Box 90, Mobile, AL 36601

Copyright© 1994, 2011, 2015 Continental Motors, Inc. All rights reserved. This material may not be reprinted, republished, broadcast, or otherwise altered without the publisher's written permission. This manual is provided without express, statutory, or implied warranties. The publisher will not be held liable for any damages caused by or alleged to be caused by use, misuse, abuse, or misinterpretation of the contents. Content is subject to change without notice. Other products and companies mentioned herein may be trademarks of the respective owners.



---

## TABLE OF CONTENTS

1.	Introduction .....	1-1
2.	How to Use This Book .....	1-1
2.1.	Engine Applications .....	1-1
2.2.	Ignition Systems .....	1-1
2.3.	Magnetos .....	1-2
2.4.	Ignition Harnesses .....	1-3
2.5.	Starting Vibrators .....	1-4
2.6.	Ignition and Starting Switches .....	1-5
2.7.	SC Series Magnetos .....	1-5
3.	Superseded Product Cross-Reference .....	1-6
4.	Ignition Application Tables by Engine Make & Model .....	1-8
4.1.	Application Table Notes .....	1-8

## LIST OF TABLES

Table 1.	S-20/S-200 Series Magneto Supersedure Cross Reference - Old P/N to New .....	1-6
Table 2.	S-20/S-200 Series Magneto Supersedure Cross Reference - New P/N to Old .....	1-7
Table 3.	Ignition Applications for Continental Motors Engine Models ....	1-11
Table 4.	Ignition Applications for Textron Lycoming Engine Models .....	1-24
Table 6.	Ignition Applications for Grob Engine Models .....	1-61
Table 5.	Ignition Applications for Franklin Engine Models .....	1-61



*Intentionally Left Blank*



---

## **1. Introduction**

Application data is consolidated in this document for ease of cross referencing engines to Continental Motors, Inc. (CMI) Ignition Systems, Magnetos and Ignition Harnesses. Due to the variety of applications for many engines, some changes or re-routing of leads may be necessary. All magnetos, harnesses, and ignition system kits listed in this document are eligible for installation on the listed engines per FAA Type Certificate, Production Certificate, or per eligibility listings in applicable FAA-PMA supplements. See <http://rgl.faa.gov> for more information.

## **2. How to Use This Book**

### **2.1. Engine Applications**

This Application Data is organized so that all options of Magnetos and Harnesses for a given engine appear on one page. The listing is sorted by engine manufacturer, numerically by engine horsepower/displacement number, and then alphabetically by engine prefix and suffix. In cases where all options for a class of engine are identical, engine designator suffices are listed on the same row separated by commas. Otherwise, each horizontal row represents one option for the engine specified.

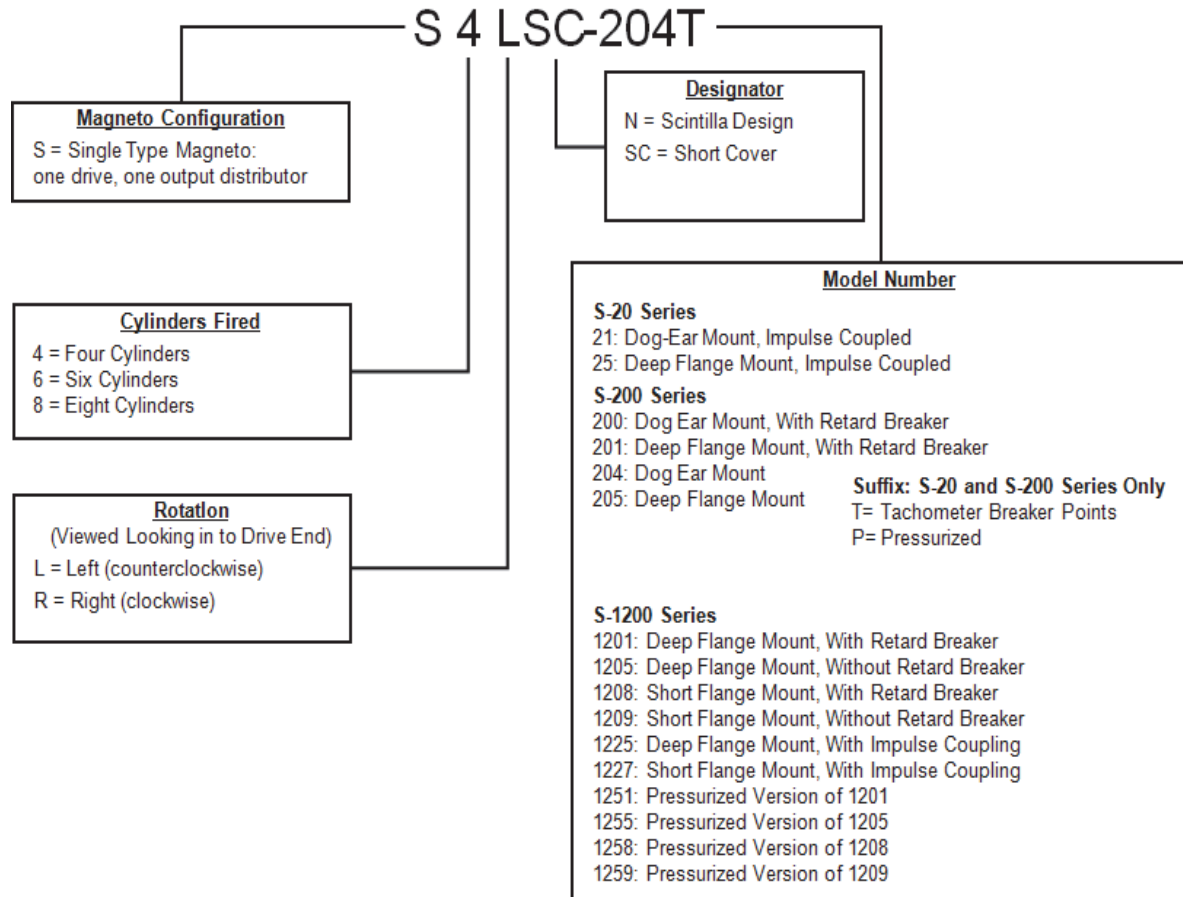
### **2.2. Ignition Systems**

Ignition System Kits, consisting of two magnetos and a harness, are specified by part number in the first column following the engine designation. Each kit includes magnetos listed in the same row and the corresponding Gold Seal Harness, enough to supply a complete engine.



## 2.3. Magnetos

1. The magneto type number translates into the magneto configuration, as illustrated in the following chart.



2. Magneto or Ignition System Kit Part Number: When ordering, specify magneto by part number. Also specify:  
Red Label Magnetos - Factory New (10-xxxxxx-x) or  
Blue Label Magnetos-Factory Rebuilt (BL-xxxxxx-x) By Continental Motors.  
Both new and factory rebuilt magnetos carry the same warranty.
3. Except as noted, the magnetos listed are F.A.A. approved for each engine. Other types of magnetos may be used, upon compliance with all pertinent FAA, or local equivalent, regulations.
4. For installation, maintenance and parts information refer to Continental Motors Ignition System Master Service Manual, Part Number X40000.



## 2.4. Ignition Harnesses

1. Ignition Harnesses and Leads incorporate the following quality features:
  - Tightly woven copper braid ensures minimum radio interference radiation. Improved silicone scuff resistant coating. Retains flexibility at -65°F and will withstand +400°F.
  - Completely repairable, all components supplied as spares.
  - CMI offers the most complete line of lightweight radio shielded harnesses and leads for all applications
2. For many engines, either spark plug size (5/8"-24 or 3/4"-20 - nut thread size) may be used. Where harness options are available, both harness part numbers are listed.
3. Part Number 10-421XXX-X, 10-423XXX-X, 10-821XXX-X and 10-823XXX-X harnesses are fully assembled at magneto and spark plug ends, and are supplied with clamps, ties and attaching hardware as bag parts. Each harness part number listed includes an entire harness for one engine.
4. CMI Ignition Systems offers harnesses for use with Champion (Slick) 4000, 4100, 4200, 4300, 6000, 6100, 6200 and 6300 Series Magnetos. "Gold Seal SK" harnesses are available for all applications where Type 4300 and 6300 Series Magnetos are referenced in the Application Chart. All Gold Seal SK harnesses use resilient silicone grommets at the Magneto Cap for maximum altitude performance. All 6 cylinder Gold Seal SK harnesses are supplied with sealing o-ring installed and may be used with either pressurized or un-pressurized magnetos.
5. Spare Leads: Gold Seal spare leads are available for repair of Gold Seal and Dura-Blue Harnesses. Leads are dressed at the spark plug end, and hardware for attachment to Dura-Blue, Gold Seal and Gold Seal SK Magneto outlet plates is provided in kit form.

### Spare Leads

<b>5/8"-24</b> for elbow clamps	<b>5/8"-24</b> with wrench flats	<b>3/4"-20</b> for elbow clamps	<b>3/4"-20</b> with wrench flats
10-400402-48 (48 inch)	10-400681-48 (48 inch)	10-400401-48 (48 inch)	10-400418-48 (48 inch)
10-400402-72 (72 inch)	10-400681-72 (72 inch)	10-400401-78 (78 inch)	10-400418-78 (78 inch)

### 6. Harness Outlet Plates, Covers and Caps

<b>Magneto Series</b>	<b>Harness Part Number</b>
S4-20, S4-200	10-400114
S6-20, S6-200	10-400116
S4-1200	10-400194
S6-1200	10-400196
S6-1250 (Pressurized)	10-400196P
S8-1200 (Pressurized)	10-400598
S8-1250 (Pressurized)	10-400598P
4200, 4300 (Champion/Slick)	10-400134
6200, 6300 (Champion/Slick)	10-400136



## 7. Universal Harness Kits

- Each kit contains two leads for each cylinder
- Leads are dressed at the spark plug end
- Hardware supplied to connect to Dura-Blue, Gold Seal and Gold Seal SK Magneto Outlet plates.

<b>Cylinder Quantity</b>	<b>Spark Plug</b>	<b>Universal Kit Part Number</b>
4	3/4"-20	10-400414
4	5/8"-24	10-400424
6	3/4"-20	10-400416
6	5/8"-24	10-400426

## 8. Bend Clamp Kits

Gold Seal Adjustable Bend Clamp Kits are designed to replace Gold Seal harness tubular elbows on installations where positive lead location near the spark plug terminal is required. Bend clamp kits may be used on all 5/8"-24 terminals, many 3/4"-20 terminals, as well as Dura-Blue 5/8"-24 terminals. Angles of 70°, 90°, or 110° may be selected.

<b>Bend Clamp Kit P/N</b>	<b>Description</b>
10-400112-8	Eight assemblies for 4 CYL harnesses
10-400112-12	Twelve assemblies for 6 CYL harnesses

## 2.5. Starting Vibrators

<b>Vibrator Part Number</b>	<b>Description</b>	<b>Used with Ignition System</b>
10-176487-121	12VDC	S-200
10-357487-241	24VDC	S-200
10-176487-122	12VDC	S-1200
10-357487-242	24VDC	S-1200
10-382775-12	12VDC	D-3200
10-382808-24	24VDC	D-3200
10-400608-121	12VDC w/Relay	S-200
10-400608-241	24VDC w/Relay	S-200
10-400608-122	12VDC w/Relay	S-1200
10-400608-242	24VDC w/Relay	S-1200
10-400608-123	12VDC w/Relay	D-3200
10-400608-243	24VDC w/Relay	D-3200





## 2.6. Ignition and Starting Switches

Switch Part Number	Operator	Functions
10-357200-1	Key	OFF-R-L--BOTH-Start (Twist)
10-357210-1	Key	OFF-R-L--BOTH-Start (Push)
10-357230-1	Lever	OFF-R-L--BOTH-Start (Twist)
10-357240-1	Lever	OFF-R-L--BOTH-Start (Push)
10-357290-1	Key	OFF-R-L--BOTH
10-400185-1	Lever	OFF-R-L--BOTH

## 2.7. SC Series Magnetos

1. The SC (short cover) Series Magnetos are supplied for factory new and factory rebuilt magnetos in place of the S-20 and S-200 magnetos previously supplied. SC Series magnetos have the following features:
  - Feed thru capacitor on all specifications of S-20 and S-200 Series Magnetos.
  - Capacitor interchangeable with S-1200 Series.
  - Simplified stud-type switch and retard connections - no special kits necessary.
  - Low profile short cover (SC) allows maximum installation flexibility.
  - Consolidated parts usage.
2. Short Cover (SC) magnetos are fully interchangeable with S-20 and S-200 magnetos previously supplied. Pairing an SC magneto with one of the old type magnetos on an engine installation is permissible. All SC magnetos listed are FAA-PMA approved. Also note that engines with a single impulse coupled magneto (example: Type S4LSC-21, Part No. 10-500514-1) are typically used in conjunction with an S-200 series “straight drive” magneto (example: type S4LSC-204, part No. 10-600644-1).
3. Legacy configurations of S-20 and S-200 series magnetos may remain in service for many years, cross references are provided in Table 1, sorted by old part number to new and Table 2, sorted by new part number to old, for your convenience.



### 3. Superseded Product Cross-Reference

Table 1. S-20/S-200 Series Magneto Supersedure Cross Reference - Old P/N to New

Old P/N to New Cross Reference							
Previous		Replacement		Previous		Replacement	
Part No.	Type No.	Part No.	Type No.	Part No.	Type No.	Part No.	Type No.
10-51360-25	S4LN-21	10-500514-1	S4LSC-21	10-79020-118	S6LN-25P	10-500556-103	S6LSC-25P
10-51360-26	S4LN-21	10-500514-1	S4LSC-21	10-79020-119	S6RN-25P	10-500556-101	S6RSC-25P
10-51360-27	S4RN-20	10-600644-3	S4RSC-204	10-163005-2	S4LN-200	10-600614-1	S4LSC-200
10-51360-28	S4RN-21	10-500514-3	S4RSC-21	10-163005-3	S4LN-200	10-600614-3	S4LSC-200
10-51360-29	S4LN-20	10-600644-1	S4LSC-204	10-163005-11	S4LN-200	10-600614-2	S4LSC-200
10-51360-37	S4LN-21	10-500514-1	S4LSC-21	10-163010-1	S6RN-200	10-600616-4	S6RSC-200
10-51360-40	S4RN-20	10-600644-5	S4RSC-204	10-163010-2	S6LN-200	10-600616-5	S6LSC-200
10-51360-41	S4RN-21	10-500514-5	S4RSC-21	10-163010-10	S6LN-200	10-600616-3	S6LSC-200
10-51360-45	S4LN-21	10-500514-1	S4LSC-21	10-163010-11	S6LN-200	10-600616-6	S6LSC-200
10-51360-46	S4RN-21	10-500514-4	S4RSC-21	10-163010-15	S6RN-200	10-600616-7	S6RSC-200
10-51360-47	S4LN-21	10-500514-201	S4LSC-21T	10-163015-3	S4RN-201	10-600604-1	S4RSC-201
10-51360-54	S4LN-21	10-500514-2	S4LSC-21	10-163020-3	S6RN-201	10-600606-1	S6RSC-201
10-51360-55	S4LN-21	10-500514-2	S4LSC-21	10-163020-4	S6LN-201	10-600606-3	S6LSC-201
10-51360-58	S4LN-21	10-500514-2	S4LSC-21	10-163045-1	S4LN-204	10-600644-4	S4LSC-204
10-51365-9	S6LN-21	10-500516-10	S6LSC-21	10-163045-3	S4LN-204	10-600644-1	S4LSC-204
10-51365-32	S6LN-21	10-500516-3	S6LSC-21	10-163045-6	S4LN-204	10-600644-201	S4LSC-204T
10-51365-33	S6LN-20	10-600646-2	S6LSC-204	10-163050-1	S6LN-204	10-600646-2	S6LSC-204
10-51365-34	S6RN-21	10-500516-5	S6RSC-21	10-163050-2	S6LN-204	10-600646-3	S6LSC-204
10-51365-35	S6RN-21	10-500516-6	S6RSC-21	10-163050-7	S6RN-204	10-600646-4	S6RSC-204
10-51365-39	S6LN-20	10-500516-4	S6LSC-21	10-163050-9	S6LN-204	10-600646-1	S6LSC-204
10-51365-40	S6RN-21	10-500516-7	S6RSC-21	10-163050-12	S6LN-204	10-600646-201	S6LSC-204T
10-51365-43	S6LN-21	10-500516-3	S6LSC-21	10-163055-1	S4RN-205	10-600654-1	S6RSC-205
10-51365-46	S6LN-20	10-600646-1	S6LSC-204	10-163060-1	S6RN-205	10-600656-1	S6RSC-205
10-51365-47	S6LN-21	10-500516-2	S6LSC-21	10-163060-2	S6LN-205	10-600656-3	S6LSC-205
10-51365-48	S6RN-21	10-500516-9	S6RSC-21				
10-51365-54	S6RN-21	10-500516-7	S6RSC-21				
10-51365-57	S6LN-21	10-500516-2	S6LSC-21				
10-52350-19	S6RN-23	10-500516-9	S6RSC-21				
10-52350-20	S6LN-23	10-500516-3	S6LSC-21				
10-52350-22	S6LN-22	10-600646-2	S6LSC-204				
10-52350-23	S6RN-23	10-500516-5	S6RSC-21				
10-79020-6	S6LN-25	10-500556-3	S6LSC-25				
10-79020-10	S6RN-25	10-500556-1	S6RSC-25				
10-79020-11	S6LN-25	10-500556-203	S6LSC-25T				
10-79020-16	S6LN-25	10-500556-3	S6LSC-25				
10-79020-17	S6LN-25	10-500556-203	S6LSC-25T				
10-79020-18	S6LN-25	10-500556-3	S6LSC-25				
10-79020-19	S6RN-25	10-500556-1	S6RSC-25				



**Table 2. S-20/S-200 Series Magneto Supersedure Cross Reference - New P/N to Old**

Cross Reference							
New		Replaces		New		Replaces	
Part No.	Type No.	Part No.	Type No.	Part No.	Type No.	Part No.	Type No.
10-500514-1	S4LSC-21	10-51360-25	S4LN-21	10-600614-3	S4LSC-200	10-163005-3	S4LN-200
		10-51360-26	S4LN-21	10-600616-3	S6LSC-200	10-163010-10	S6LN-200
		10-51360-37	S4LN-21	10-600616-4	S6RSC-200	10-163010-1	S6RN-200
		10-51360-45	S4LN-21	10-600616-5	S6LSC-200	10-163010-2	S6LN-200
10-500514-2	S4LSC-21	10-51360-54	S4LN-21	10-600616-6	S6LSC-200	10-163010-11	S6LN-200
		10-51360-55	S4LN-21	10-600616-7	S6RSC-200	10-163010-15	S6RN-200
		10-51360-58	S4LN-21	10-600644-1	S4LSC-204	10-51360-29	S4LN-20
10-500514-3	S4RSC-21	10-51360-28	S4RN-21			10-163045-3	S4LN-204
10-500514-4	S4RSC-21	10-51360-46	S4RN-21	10-600644-3	S4RSC-204	10-51360-27	S4RN-20
10-500514-5	S4RSC-21	10-51360-41	S4RN-21	10-600644-4	S4LSC-204	10-163045-1	S4LN-204
10-500514-201	S4LSC-21T	10-51360-47	S4LN-21	10-600644-5	S4RSC-204	10-51360-40	S4RN-20
10-500516-2	S6LSC-21	10-51360-47	S6LN-21	10-600644-201	S4LSC-204T	10-163045-6	S4LN-204
		10-51365-57	S6LN-21	10-600646-1	S6LSC-204	10-51365-46	S6LN-20
10-500516-3	S6LSC-21	10-51365-32	S6LN-21			10-163050-9	S6LN-204
		10-51365-43	S6LN-21	10-600646-2	S6LSC-204	10-51365-33	S6LN-20
		10-52350-20	S6LN-23			10-52350-22	S6LN-22
10-500516-4	S6LSC-21	10-51365-39	S6LN-21			10-163050-1	S6LN-204
10-500516-5	S6RSC-21	10-51365-34	S6RN-21	10-600646-3	S6LSC-204	10-163050-2	S6LN-204
		10-52350-23	S6RN-23	10-600646-4	S6RSC-204	10-163050-7	S6RN-204
10-500516-6	S6RSC-21	10-51365-35	S6RN-21	10-600646-201	S6LSC-204T	10-163050-12	S6LN-204
10-500516-7	S6RSC-21	10-51365-40	S6RN-21	10-600654-1	S4RSC-205	10-163055-1	S4RN-205
		10-51365-54	S6RN-21	10-600656-1	S6RSC-205	10-163060-1	S6RN-205
10-500516-9	S6RSC-21	10-51365-48	S6RN-21	10-600656-3	S6RLC-205	10-163060-2	S6LN-205
		10-52350-19	S6RN-23				
10-500516-10	S6LSC-21	10-51365-9	S6LN-21				
10-500556-1	S6RSC-25	10-79020-10	S6RN-25				
		10-79020-19	S6RN-25				
10-500556-3	S6LSC-25	10-79020-6	S6LN-25				
		10-79020-16	S6LN-25				
		10-79020-18	S6LN-25				
10-500556-101	S6RSC-25P	10-79020-119	S6RN-25P				
10-500556-103	S6LSC-25P	10-79020-118	S6LN-25P				
10-500556-203	S6LSC-25T	10-79020-11	S6LN-25				
		10-79020-17	S6LN-25				
10-600604-1	S4RSC-201	10-163015-3	S4RN-201				
10-600606-1	S6RSC-201	10-163020-3	S6RN-201				
10-600606-3	S6LSC-201	10-163020-4	S6LN-201				
10-600614-1	S4LSC-200	10-163005-2	S4LN-200				
10-600614-2	S4LSC-200	10-163005-11	S4LN-200				



---

## 4. Ignition Application Tables by Engine Make & Model

Ignition application tables follow the notes section.

### 4.1. Application Table Notes

These notes are used throughout Table 3 through Table 6:

1. Model series given for reference purposes only. Consult engine manufacturer's parts list for correct magneto part number. Harnesses for 4300 Series Magnetos may also be used with 4000, 4100 and 4200 Series Magnetos. Harnesses for 6300 Series Magnetos may also be used with 6000, 6100 and 6200 Series Magnetos.
2. Magneto includes tachometer breaker. If magneto tachometer source is not used, other magneto options may be considered.
3. Retrofits Champion (Slick) ignition. Magnetos, harnesses and ignition system kits listed are eligible for installation on indicated engines per eligibility listings in applicable FAA-PMA supplements. See <http://rgl.faa.gov> for more information.
4. Unshielded spark plugs and ignition harness used for this application.
5. Comply with latest revision of Lycoming Service Bulletin 411.
6. Ensure right magneto shaft does not interfere with crankcase. If interference between shaft and crankcase is likely, install S4RSC-204 (BL-600644-3) magneto in right magneto position.
7. Use magneto part numbers indicated with optional 20° ignition timing per latest FAA TCDS 1E10.
8. Retrofits S-600 Series Low Tension Ignition. Magnetos and harnesses listed are eligible for installation on indicated engines per eligibility listings in applicable FAA-PMA supplements. See <http://rgl.faa.gov> for more information.
9. Harness part numbers to be announced. Harnesses may be constructed using Universal Harness Kits and outlet plates.
10. Retrofits S-700 Series Ignition. Magnetos, harnesses and ignition system kits listed are eligible for installation on indicated engines per eligibility listings in applicable FAA-PMA supplements. Also requires retrofit of starting vibrator. See Introduction for options. See latest revision of Lycoming Service Instruction 1252 for additional information.
11. Retrofits SF Series Ignition or non-impulse coupled S-20 Ignition. Magnetos and harnesses listed are eligible for installation on indicated engines per eligibility listings in applicable FAA-PMA supplements. See <http://rgl.faa.gov> for more information



12. Pressurized S-1200 Series - Use 2 each P/N 10-391391 Mag-to-Harness gaskets per engine. Pressurization gaskets are supplied with magneto.
13. A. Retrofits S4LN-1211 and S4LN-1210 ignition. Refer to latest revision of Lycoming Service Instruction 1346A for additional information.  
  
B. Harness P/N 10-822482-2 supplied with clamps and ties dressed onto harness.  
  
C. Harness P/N 10-821481-2 supplied with clamps and ties loose in a kit.
14. Pressurized S-20 Series - Use two each P/N 10-357520 Mag-to-Harness gaskets per engine. Pressurization gaskets are supplied with magneto.
15. Use CMI tach sensor P/N 653141 with Continental Motors S-20 Magnets.
16. STC for conversion to pressurized magnetos for these installations held by RAM Aircraft Conversions, P.O. Box 5219, Waco, TX 76708.
17. Use other options for Piper Cherokee, PA-28 200R ARROW II.
18. For use on engines with each magneto drive made up of Continental Motors P/N 531178 retainer and 2 ea. 531179 Bushings per Continental Motors "E" Series Engine Illustrated Parts Catalog, Part Number X30017.
19. For use on engines with each magneto drive made up by Continental Motors P/N 520121 Disc and 352042 Gear.
20. For use on Beechcraft model 24 "Sierra 200".
21. Two impulse coupled magnetos eligible for installation per applicable type certificate data sheet.
22. Includes all F, J, H, B, and P suffix variants.
23. All specifications except IO-240-B7B.
24. Specification IO-240-B7B ONLY.
25. All specifications except IO-360-ES16B, ES21B, ES22B, ES25B.
26. Specification IO-360-ES16B, ES21B, ES22B, ES25B ONLY.
27. IO-550-N10B, N11B, N12B, N16B, N20B, N21B, N22B, N27B, N30B, N32B, N42B, N46B, N48B, N52B, N53B, N57B, N61B, N68B ONLY.
28. IO-550-N1B, N6B, N7B, N8B, N14B, N17B, N23B, N24B, N31B, N35B, N39B, N41B, N43B, N45B, N47B, N49B, N54B, N55B, N56B, N58B, N59B, N63B, N64B, N65B ONLY.
29. IO-550-N2B, N13B, N15B, N18B, N19B, N25B, N28B, N34B, N36B, N37B, N38B, N40B, N66B ONLY
30. IO-550-N50B, N51B, N60B, N62B, N67B ONLY.
31. IO-550-N26B ONLY.
32. IOF-550-N3B, N4B, N12B ONLY.
33. IOF-550-N18B ONLY.
34. IOF-550-N17B ONLY.



- 
35. TSIO-550-C14B, C16B ONLY.
  36. TSIO-550-C11B, C12B, C13B, C17B, C18B, C19B, C20B, C21B ONLY.
  37. TSIO-550-C5B, C7B, C8B, C9B, C10B ONLY.
  38. TSIO-550-E15B, E16B, E21B, E22B ONLY.
  39. TSIO-550-E1B, E4B, E9B, E11B, E12B ONLY.
  40. Shielded spark plugs required. Obtain FAA approval.
  41. TSIO-550-C6B ONLY.
  42. IO-550-G1B, G2B, G4B ONLY.
  43. Shower of Sparks option per latest revision of SIL648 and Lycoming SI 1495.
  44. For Aero Service, Grob, Aero Engines and Socata Airframes.
  45. For Cessna 177 Cardinal and Mooney M20J through model year 1983.
  46. For Mooney M20J. 201, MSE model year 1984 and later.
  47. For use on Washac Industries, aircraft.
  48. For use on Cessna 177 Cardinal, SPAD, Schweizer, and Con Air airframes.
  49. Left harness half also available separately, order 10-821471-2L.
  50. Left harness half also available separately, order 10-821401-2L.



**Table 3. Ignition Applications for Continental Motors Engine Models**

Engine Model	Notes	Ignition System Kit Part No.	Left Magneto		Right Magneto		Spark Plug	Harness Part No.
			Type No.	Part No.	Type No.	Part No.		
A-40	4, 11	-	S4LSC-204	BL-600644-1	SINGLE MAGNETO		-	-
A-40-2, 3, 4	4, 11	-	S4LSC-204	BL-600644-1	SINGLE MAGNETO		-	-
A-40-5	4, 11	-	S4LSC-204	BL-600644-1	S4LSC-204	BL-600644-1	-	-
A-50-1, 7	4, 11	-	S4LSC-204	BL-600644-1	SINGLE MAGNETO		-	-
A-50-4	4, 11	-	S4RSC-204	BL-600644-3	SINGLE MAGNETO		-	-
A-50-5, 6	4, 11	-	S4RSC-204	BL-600644-3	S4RSC-204	BL-600644-3	-	-
A-50-8, 9	22	BL-400458	S4RSC-21	BL-500514-3	S4RSC-204	BL-600644-3	5/8-24	10-821471-3
A-65-3, 6, 8, 9, 14	22	BL-400458	S4RSC-21	BL-500514-3	S4RSC-204	BL-600644-3	5/8-24	10-821471-3
A-65-3, 6, 8, 9, 14	6, 22	BL-400459	S4RSC-21	BL-500514-3	S4RSC-21	BL-500514-3	5/8-24	10-821471-3
A-65-12	22	BL-400452	S4LSC-21	BL-500514-1	S4LSC-21	BL-500514-1	5/8-24	10-821471-1
A-75-3, 6, 8, 9	22	BL-400458	S4RSC-21	BL-500514-3	S4RSC-204	BL-600644-3	5/8-24	10-821471-3
A-75-3, 6, 8, 9	6, 22	BL-400459	S4RSC-21	BL-500514-3	S4RSC-21	BL-500514-3	5/8-24	10-821471-3
A-80-6J, 8, 9	11	BL-400458	S4RSC-21	BL-500514-3	S4RSC-204	BL-600644-3	5/8-24	10-821471-3
A-100-1, 2	11	BL-400455	S6LSC-21	BL-500516-4	S6LSC-21	BL-500516-4	5/8-24	10-821672-9
C-75-8	22	BL-400458	S4RSC-21	BL-500514-3	S4RSC-204	BL-600644-3	5/8-24	10-821471-3
C-75-8	6, 22	BL-400459	S4RSC-21	BL-500514-3	S4RSC-21	BL-500514-3	5/8-24	10-821471-3
C-75-12	22	BL-400452	S4LSC-21	BL-500514-1	S4LSC-21	BL-500514-1	5/8-24	10-421471-1
C-75-15	22	BL-400452	S4LSC-21	BL-500514-1	S4LSC-21	BL-500514-1	5/8-24	10-421471-1
C-85-8	22	BL-400458	S4RSC-21	BL-500514-3	S4RSC-204	BL-600644-3	5/8-24	10-821471-3
C-85-8	6, 22	BL-400459	S4RSC-21	BL-500514-3	S4RSC-21	BL-500514-3	5/8-24	10-821471-3
C-85-12	22	BL-400452	S4LSC-21	BL-500514-1	S4LSC-21	BL-500514-1	5/8-24	10-421471-1
C-85-14	22	BL-400452	S4LSC-21	BL-500514-1	S4LSC-21	BL-500514-1	5/8-24	10-421471-1
C-85-15	22	BL-400452	S4LSC-21	BL-500514-1	S4LSC-21	BL-500514-1	5/8-24	10-421471-1
C90-8	22	BL-400458	S4RSC-21	BL-500514-3	S4RSC-204	BL-600614-3	5/8-24	10-821471-3
C90-8	6, 22	BL-400459	S4RSC-21	BL-500514-3	S4RSC-21	BL-500514-3	5/8-24	10-821471-3



**Table 3. Ignition Applications for Continental Motors Engine Models**

Engine Model	Notes	Ignition System Kit Part No.	Left Magneto		Right Magneto		Spark Plug	Harness Part No.
			Type No.	Part No.	Type No.	Part No.		
C90-12	22	BL-400452	S4LSC-21	BL-500514-1	S4LSC-21	BL-500514-1	5/8-24	10-421471-1
C90-12	22	-	S4LSC-200	BL-600614-3	S4LSC-204	BL-600644-4	5/8-24	10-821471-1
C90-14	22	BL-400452	S4LSC-21	BL-500514-1	S4LSC-21	BL-500514-1	5/8-24	10-421471-1
C90-14	22	-	S4LSC-200	BL-600614-3	S4LSC-204	BL-600644-4	5/8-24	10-821471-1
C90-16	22	BL-400452	S4LSC-21	BL-500514-1	S4LSC-21	BL-500514-1	5/8-24	10-421471-1
C90-16	22	-	S4LSC-200	BL-600614-3	S4LSC-204	BL-600644-4	5/8-24	10-421471-1
C115-1, -2	-	BL-400455	S6LSC-21	BL-500516-4	S6LSC-21	BL-500516-4	5/8-24	10-821672-9
C125-1, -2	-	BL-400455	S6LSC-21	BL-500516-4	S6LSC-21	BL-500516-4	5/8-24	10-821672-9
C145-2, 2H	-	BL-400455	S6LSC-21	BL-500516-4	S6LSC-21	BL-500516-4	5/8-24	10-821672-9
E-165-2, 3, 4	18	R-658578	S6LSC-21	BL-500516-3	S6LSC-21	BL-500516-3	5/8-24	10-821672-13
E-165-2, 3, 4	19	R-658579	S6LSC-21	BL-500516-10	S6LSC-21	BL-500516-10	5/8-24	10-821672-13
E-185-1, 2, 3, 5, 8, 9, 10, 11	18	R-658578	S6LSC-21	BL-500516-3	S6LSC-21	BL-500516-3	5/8-24	10-821672-13
E-185-1, 2, 3, 5, 8, 9, 10, 11	19	R-658579	S6LSC-21	BL-500516-10	S6LSC-21	BL-500516-10	5/8-24	10-821672-13
O-200-A, B, C	-	BL-400452	S4LSC-21	BL-500514-1	S4LSC-21	BL-500514-1	5/8-24	10-421471-1
O-200-A, B, C	-	-	S4LSC-200	BL-600614-3	S4LSC-204	BL-600644-4	5/8-24	10-421471-1
O-200-A, B, C	9	-	S4LN-1227	BL-349365-3	S4LN-1227	BL-349365-3	5/8-24	-
O-200-A, B, C	1	-	4300	-	4300	-	5/8-24	10-821401-1
O-200-D, X	-	-	S4LSC-21	BL-500514-1	S4LSC-21	BL-500514-1	5/8-24	10-821471-17
O-200-D, X	1	-	4300	-	4300	-	5/8-24	10-421401-17
E-225-2,4,8,9	18	R-658578	S6LSC-21	BL-500516-3	S6LSC-21	BL-500516-3	5/8-24	10-821672-13
E-225-2,4,8,9	19	R-658579	S6LSC-21	BL-500516-10	S6LSC-21	BL-500516-10	5/8-24	10-821672-13
IO-240-A, B	23	R-658574	S4LSC-21	BL-500514-1	S4LSC-21	BL-500514-1	3/4-20	10-421474-7
IO-240-A, B	-	-	4300	-	4300	-	3/4-20	10-421404-7
IO-240-B	24	-	S4LSC-21	BL-500514-1	S4LSC-21	BL-500514-1	5/8-24	10-821474-19
IO-240-B	1, 24	-	4300	-	4300	-	5/8-24	10-821404-19
IOF-240-B	-	-	-	-	-	-	3/4-20	10-421454-15





**Table 3. Ignition Applications for Continental Motors Engine Models**

Engine Model	Notes	Ignition System Kit Part No.	Left Magneto		Right Magneto		Spark Plug	Harness Part No.
			Type No.	Part No.	Type No.	Part No.		
O-240-A	-	BL-400452	S4LSC-21	BL-500514-1	S4LSC-21	BL-500514-1	5/8-24	10-421471-1
GO-300-A, B, C D, E, F	-	R-658580	S6RSC-21	BL-500516-6	S6RSC-21	BL-500516-6	5/8-24	10-821672-15
O-300-A, B, C D, E	-	BL-400455	S6LSC-21	BL-500516-4	S6LSC-21	BL-500516-4	5/8-24	10-821672-9
O-300-A, B, C D, E	-	-	S6LSC-200	BL-600616-6	S6LSC-204	BL-600646-3	5/8-24	10-821672-9
IO-346-A	-	R-658581	S4RSC-201	BL-600654-1	S4RSC-201	BL-600654-1	3/4-20	10-421474-5
IO-360-A	-	BL-400475	S6LSC-25	BL-500556-3	S6LSC-25	BL-500556-3	3/4-20	10-421674-3
IO-360-AB	-	BL-400475	S6LSC-25	BL-500556-3	S6LSC-25	BL-500556-3	3/4-20	10-421674-3
IO-360-C	-	BL-400475	S6LSC-25	BL-500556-3	S6LSC-25	BL-500556-3	3/4-20	10-421674-3
IO-360-C	2	R-658575	S6LSC-25	BL-500556-3	S6LSC-25T	BL-500556-203	3/4-20	10-421674-3
IO-360-CB	-	BL-400475	S6LSC-25	BL-500556-3	S6LSC-25	BL-500556-3	3/4-20	10-421674-3
IO-360-CB	2	R-658575	S6LSC-25	BL-500556-3	S6LSC-25T	BL-500556-203	3/4-20	10-421674-3
IO-360-D	-	BL-400475	S6LSC-25	BL-500556-3	S6LSC-25	BL-500556-3	3/4-20	10-421674-3
IO-360-D	2	R-658575	S6LSC-25	BL-500556-3	S6LSC-25T	BL-500556-203	3/4-20	10-421674-3
IO-360-DB	-	BL-400475	S6LSC-25	BL-500556-3	S6LSC-25	BL-500556-3	3/4-20	10-421674-3
IO-360-DB	2	R-658575	S6LSC-25	BL-500556-3	S6LSC-25T	BL-500556-203	3/4-20	10-421674-3
IO-360-ES	25	BL-400475	S6LSC-25	BL-500556-3	S6LSC-25	BL-500556-3	3/4-20	10-421674-3
IO-360-ES	26	-	S6LSC-25	BL-500556-3	S6LSC-25	BL-500556-3	3/4-20	10-423674-45
IO-360-ES	1, 25	-	6300	-	6300	-	3/4-20	10-821604-3
IO-360-G	2	R-658575	S6LSC-25	BL-500556-3	S6LSC-25T	BL-500556-203	3/4-20	10-421674-3
IO-360-GB	2	R-658575	S6LSC-25	BL-500556-3	S6LSC-25T	BL-500556-203	3/4-20	10-421674-3
IO-360-H	-	BL-400475	S6LSC-25	BL-500556-3	S6LSC-25	BL-500556-3	3/4-20	10-421674-3
IO-360-HB	-	BL-400475	S6LSC-25	BL-500556-3	S6LSC-25	BL-500556-3	3/4-20	10-421674-3
IO-360-J	-	BL-400475	S6LSC-25	BL-500556-3	S6LSC-25	BL-500556-3	3/4-20	10-421674-3
IO-360-JB	-	BL-400475	S6LSC-25	BL-500556-3	S6LSC-25	BL-500556-3	3/4-20	10-421674-3



**Table 3. Ignition Applications for Continental Motors Engine Models**

Engine Model	Notes	Ignition System Kit Part No.	Left Magneto		Right Magneto		Spark Plug	Harness Part No.
			Type No.	Part No.	Type No.	Part No.		
IO-360-K	-	BL-400475	S6LSC-25	BL-500556-3	S6LSC-25	BL-500556-3	3/4-20	10-421674-3
IO-360-KB	-	BL-400475	S6LSC-25	BL-500556-3	S6LSC-25	BL-500556-3	3/4-20	10-421674-3
IO-360-KB	1		6300	-	6300	-	3/4-20	10-821604-3
LTSIO-360-E	-	-	S6RSC-25	BL-500556-1	S6RSC-25	BL-500556-1	3/4-20	10-421674-3
LTSIO-360-E	14	BL-400463	S6RSC-25P	BL-500556-101	S6RSC-25P	BL-500556-101	3/4-20	10-421674-3
LTSIO-360-EB	-	-	S6RSC-25	BL-500556-1	S6RSC-25	BL-500556-1	3/4-20	10-421674-3
LTSIO-360-EB	14	BL-400463	S6RSC-25P	BL-500556-101	S6RSC-25P	BL-500556-101	3/4-20	10-421674-3
LTSIO-360-EB	1	-	6300	-	6300	-	3/4-20	10-421604-3
LTSIO-360-KB	-	-	S6RSC-25	BL-500556-1	S6RSC-25	BL-500556-1	3/4-20	10-421674-3
LTSIO-360-KB	14	BL-400463	S6RSC-25P	BL-500556-101	S6RSC-25P	BL-500556-101	3/4-20	10-421674-3
LTSIO-360-KB	1	-	6300	-	6300	-	3/4-20	10-821604-3
LTSIO-360-RB	1	-	6300	-	6300	-	3/4-20	10-421604-23
TSIO-360-A	-	BL-400475	S6LSC-25	BL-500556-3	S6LSC-25	BL-500556-3	3/4-20	10-421674-3
TSIO-360-A	2	R-658575	S6LSC-25	BL-500556-3	S6LSC-25T	BL-500566-203	3/4-20	10-421674-3
TSIO-360-AB	-	BL-400475	S6LSC-25	BL-500556-3	S6LSC-25	BL-500556-3	3/4-20	10-421674-3
TSIO-360-AB	2	R-658575	S6LSC-25	BL-500556-3	S6LSC-25T	BL-500566-203	3/4-20	10-421674-3
TSIO-360-B	-	BL-400475	S6LSC-25	BL-500556-3	S6LSC-25	BL-500556-3	3/4-20	10-421674-3
TSIO-360-C	2	R-658575	S6LSC-25	BL-500556-3	S6LSC-25T	BL-500556-203	3/4-20	10-421674-3
TSIO-360-CB	2	R-658575	S6LSC-25	BL-500556-3	S6LSC-25T	BL-500556-203	3/4-20	10-421674-3
TSIO-360-D	2	R-658575	S6LSC-25	BL-500556-3	S6LSC-25T	BL-500556-203	3/4-20	10-421674-3
TSIO-360-DB	2	R-658575	S6LSC-25	BL-500556-3	S6LSC-25T	BL-500556-203	3/4-20	10-421674-3
TSIO-360-E	-	BL-400475	S6LSC-25	BL-500556-3	S6LSC-25	BL-500556-3	3/4-20	10-421674-3
TSIO-360-E	14	BL-400462	S6LSC-25P	BL-500556-103	S6LSC-25P	BL-500556-103	3/4-20	10-421674-3
TSIO-360-EB	-	BL-400475	S6LSC-25	BL-500556-3	S6LSC-25	BL-500556-3	3/4-20	10-421674-3
TSIO-360-EB	14	BL-400462	S6LSC-25P	BL-500556-103	S6LSC-25P	BL-500556-103	3/4-20	10-421674-3
TSIO-360-EB	1	-	6300	-	6300	-	3/4-20	10-821604-3



**Table 3. Ignition Applications for Continental Motors Engine Models**

Engine Model	Notes	Ignition System Kit Part No.	Left Magneto		Right Magneto		Spark Plug	Harness Part No.
			Type No.	Part No.	Type No.	Part No.		
TSIO-360-F	-	BL-400475	S6LSC-25	BL-500556-3	S6LSC-25	BL-500556-3	3/4-20	10-421674-3
TSIO-360-F	14	BL-400462	S6LSC-25P	BL-500556-103	S6LSC-25P	BL-500556-103	3/4-20	10-421674-3
TSIO-360-FB	-	BL-400475	S6LSC-25	BL-500556-3	S6LSC-25	BL-500556-3	3/4-20	10-421674-3
TSIO-360-FB	14	BL-400462	S6LSC-25P	BL-500556-103	S6LSC-25P	BL-500556-103	3/4-20	10-421674-3
TSIO-360-GB	-	BL-400475	S6LSC-25	BL-500556-3	S6LSC-25	BL-500556-3	3/4-20	10-821674-3
TSIO-360-GB	14	BL-400462	S6LSC-25P	BL-500556-103	S6LSC-25P	BL-500556-103	3/4-20	10-821674-3
TSIO-360-GB	1	-	6300	-	6300	-	3/4-20	10-821604-3
TSIO-360-H	2	R-658575	S6LSC-25	BL-500556-3	S6LSC-25T	BL-500556-203	3/4-20	10-421674-3
TSIO-360-HB	2	R-658575	S6LSC-25	BL-500556-3	S6LSC-25T	BL-500556-203	3/4-20	10-421674-3
TSIO-360-JB	2	R-658575	S6LSC-25	BL-500556-3	S6LSC-25T	BL-500556-203	3/4-20	10-421674-3
TSIO-360-KB	-	BL-400475	S6LSC-25	BL-500556-3	S6LSC-25	BL-500556-3	3/4-20	10-421674-3
TSIO-360-KB	14	BL-400462	S6LSC-25P	BL-500556-103	S6LSC-25P	BL-500556-103	3/4-20	10-421674-3
TSIO-360-KB	1	-	6300	-	6300	-	3/4-20	10-821604-3
TSIO-360-LB	14	BL-400462	S6LSC-25P	BL-500556-103	S6LSC-25P	BL-500556-103	3/4-20	10-421674-3
TSIO-360-LB	1	-	6300	-	6300	-	3/4-20	10-821604-3
TSIO-360-MB	14, 15	BL-400462	S6LSC-25P	BL-500556-103	S6LSC-25P	BL-500556-103	3/4-20	10-421674-3
TSIO-360-MB	1	-	6300	-	6300	-	3/4-20	10-821604-3
TSIO-360-RB	1	-	6300	-	6300	-	3/4-20	10-421604-23
TSIO-360-SB	14, 15	BL-400462	S6LSC-25P	BL-500556-103	S6LSC-25P	BL-500556-103	3/4-20	10-421674-3
TSIO-360-SB	1	-	6300	-	6300	-	3/4-20	10-821604-3
GIO-470-A	-	-	S6LSC-201	BL-600606-3	S6LSC-205	BL-600656-3	3/4-20	10-423674-1
IO-470-C		R-658563	S6LSC-201	BL-600606-1	S6LSC-204	BL-600656-1	3/4-20	10-823671-1
IO-470-C		BL-400443	S6LSC-201	BL-600606-1	S6LSC-204	BL-600656-1	3/4-20	10-423674-1
IO-470-C	-	-	S6RSC-25	BL-500556-1	S6RSC-25	BL-500556-1	3/4-20	10-823671-1
IO-470-C	-	BL-400451	S6RSC-25	BL-500556-1	S6RSC-25	BL-500556-1	3/4-20	10-423674-1
IO-470-C	-	-	6300	-	6300	-	3/4-20	10-423604-1
IO-470-D	-	BL-400451	S6RSC-25	BL-500556-1	S6RSC-25	BL-500556-1	3/4-20	10-423674-1
IO-470-D	-	BL-400443	S6RSC-201	BL-600606-1	S6RSC-205	BL-600656-1	3/4-20	10-423674-1
IO-470-D	-	R-658557	S6RN-1225	BL-349350-4	S6RN-1225	BL-349350-5	3/4-20	10-423684-1



**Table 3. Ignition Applications for Continental Motors Engine Models**

Engine Model	Notes	Ignition System Kit Part No.	Left Magneto		Right Magneto		Spark Plug	Harness Part No.
			Type No.	Part No.	Type No.	Part No.		
IO-470-E	-	BL-400451	S6RSC-25	BL-500556-1	S6RSC-25	BL-500556-1	3/4-20	10-423674-1
IO-470-E	-	BL-400443	S6RSC-201	BL-600606-1	S6RSC-205	BL-600656-1	3/4-20	10-423674-1
IO-470-F	-	BL-400451	S6RSC-25	BL-500556-1	S6RSC-25	BL-500556-1	3/4-20	10-423674-1
IO-470-F	-	BL-400443	S6RSC-201	BL-600606-1	S6RSC-205	BL-600656-1	3/4-20	10-423674-1
IO-470-F	-	R-658557	S6RN-1225	BL-349350-4	S6RN-1225	BL-349350-5	3/4-20	10-423684-1
IO-470-F	1	-	6300	-	6300	-	3/4-20	10-423604-1
IO-470-G	-	BL-400451	S6RSC-25	BL-500556-1	S6RSC-25	BL-500556-1	3/4-20	10-423674-1
IO-470-H	-	BL-400451	S6RSC-25	BL-500556-1	S6RSC-25	BL-500556-1	3/4-20	10-423674-1
IO-470-J	-	R-658557	S6RN-1225	BL-349350-4	S6RN-1225	BL-349350-5	3/4-20	10-423684-1
IO-470-J	1	-	6300	-	6300	-	3/4-20	10-423604-1
IO-470-K	-	BL-400443	S6RN-201	BL-600606-1	S6RN-205	BL-600656-1	3/4-20	10-423674-1
IO-470-K	-	R-658557	S6RN-1225	BL-349350-4	S6RN-1225	BL-349350-5	3/4-20	10-423684-1
IO-470-K	1	-	6300	-	6300	-	3/4-20	10-423604-1
IO-470-L	-	BL-400443	S6RSC-201	BL-600606-1	S6RSC-205	BL-600656-1	3/4-20	10-423674-1
IO-470-L	-	R-658557	S6RN-1225	BL-349350-4	S6RN-1225	BL-349350-5	3/4-20	10-423684-1
IO-470-L	-	BL-400478	S6RN-1201	BL-349220-5	S6RN-1205	BL-349260-6	3/4-20	10-423684-1
IO-470-L	1	-	6300	-	6300	-	3/4-20	10-423604-1
IO-470-M	-	BL-400451	S6RSC-25	BL-500556-1	S6RSC-25	BL-500556-1	3/4-20	10-423674-1
IO-470-M	-	BL-400443	S6RSC-201	BL-600606-1	S6RSC-205	BL-600656-1	3/4-20	10-423674-1
IO-470-N	-	BL-400443	S6RSC-201	BL-600606-1	S6RSC-205	BL-600656-1	3/4-20	10-423674-1
IO-470-N	-	R-658557	S6RN-1225	BL-349350-4	S6RN-1225	BL-349350-5	3/4-20	10-423684-1
IO-470-N	1	-	6300	-	6300	-	3/4-20	10-423604-1
IO-470-P	-	BL-400451	S6RSC-25	BL-500556-1	S6RSC-25	BL-500556-1	3/4-20	10-423674-1
IO-470-R	-	BL-400451	S6RSC-25	BL-500556-1	S6RSC-25	BL-500556-1	3/4-20	10-423674-1
IO-470-S	-	BL-400443	S6RSC-201	BL-600606-1	S6RSC-205	BL-600656-1	3/4-20	10-423674-1
IO-470-S	-	R-658557	S6RN-1225	BL-349350-4	S6RN-1225	BL-349350-5	3/4-20	10-423684-1
IO-470-S	1	-	6300	-	6300	-	3/4-20	10-423604-1
IO-470-U	-	BL-400443	S6RSC-201	BL-600606-1	S6RSC-205	BL-600656-1	3/4-20	10-423674-1



**Table 3. Ignition Applications for Continental Motors Engine Models**

Engine Model	Notes	Ignition System Kit Part No.	Left Magneto		Right Magneto		Spark Plug	Harness Part No.
			Type No.	Part No.	Type No.	Part No.		
IO-470-V	-	BL-400443	S6RSC-201	BL-600606-1	S6RSC-205	BL-600656-1	3/4-20	10-423674-1
IO-470-V	1	-	6300	-	6300	-	3/4-20	10-423604-1
IO-470-VO	-	BL-400443	S6RSC-201	BL-600606-1	S6RSC-205	BL-600656-1	3/4-20	10-423674-1
IO-470-VO	1	-	6300	-	6300	-	3/4-20	10-423604-1
O-470-A	-	BL-400451	S6RSC-25	BL-500556-1	S6RSC-25	BL-500556-1	3/4-20	10-423674-1
O-470-B	-	BL-400451	S6RSC-25	BL-500556-1	S6RSC-25	BL-500556-1	3/4-20	10-423674-1
O-470-E	-	BL-400451	S6RSC-25	BL-500556-1	S6RSC-25	BL-500556-1	3/4-20	10-423674-1
O-470-G	-	BL-400466	S6RSC-25	BL-500556-1	S6RSC-25	BL-500556-1	5/8-24	10-823671-1
O-470-GCI	-	BL-400466	S6RSC-25	BL-500556-1	S6RSC-25	BL-500556-1	5/8-24	10-823671-1
O-470-J	-	BL-400466	S6RSC-25	BL-500556-1	S6RSC-25	BL-500556-1	5/8-24	10-823671-1
O-470-K	-	BL-400466	S6RSC-25	BL-500556-1	S6RSC-25	BL-500556-1	5/8-24	10-823671-1
O-470-L	-	BL-400466	S6RSC-25	BL-500556-1	S6RSC-25	BL-500556-1	5/8-24	10-823671-1
O-470-L	-	R-658563	S6RSC-201	BL-600606-1	S6RSC-205	BL-600656-1	5/8-24	10-823671-1
O-470-L	-	R-658557	S6RN-1225	BL-349350-4	S6RN-1225	BL-349350-5	3/4-20	10-423684-1
O-470-M	-	BL-400451	S6RSC-25	BL-500556-1	S6RSC-25	BL-500556-1	3/4-20	10-423674-1
O-470-P	-	BL-400451	S6RSC-25	BL-500556-1	S6RSC-25	BL-500556-1	3/4-20	10-423674-1
O-470-R	-	BL-400451	S6RSC-25	BL-500556-1	S6RSC-25	BL-500556-1	3/4-20	10-423674-1
O-470-R	-	BL-400443	S6RSC-201	BL-600606-1	S6RSC-205	BL-600656-1	3/4-20	10-423674-1
O-470-R	-	R-658557	S6RN-1225	BL-349350-4	S6RN-1225	BL-349350-5	3/4-20	10-423684-1
O-470-R	1	-	6300	-	6300	-	3/4-20	10-423604-1
O-470-S	-	R-658557	S6RN-1225	BL-349350-4	S6RN-1225	BL-349350-5	3/4-20	10-423684-1
O-470-S	1	-	6300	-	6300	-	3/4-20	10-423604-1
O-470-U	-	BL-400451	S6RSC-25	BL-500556-1	S6RSC-25	BL-500556-1	3/4-20	10-423674-1
O-470-U	-	R-658557	S6RN-1225	BL-349350-4	S6RN-1225	BL-349350-5	3/4-20	10-423684-1
O-470-U	1	-	6300	-	6300	-	3/4-20	10-423604-1
O-470-2	-	BL-400466	S6RSC-25	BL-500556-1	S6RSC-25	BL-500556-1	5/8-24	10-823671-1
O-470-2	-	BL-400451	S6RSC-25	BL-500556-1	S6RSC-25	BL-500556-1	3/4-20	10-423674-1



**Table 3. Ignition Applications for Continental Motors Engine Models**

Engine Model	Notes	Ignition System Kit Part No.	Left Magneto		Right Magneto		Spark Plug	Harness Part No.
			Type No.	Part No.	Type No.	Part No.		
O-470-4	-	R-658582	S6LSC-21	BL-500516-3	S6LSC-21	BL-500516-3	5/8-24	10-821672-17
O-470-11, 11B	-	R-658582	S6LSC-21	BL-500516-3	S6LSC-21	BL-500516-3	5/8-24	10-821672-17
O-470-13, 13A	-	R-658582	S6LSC-21	BL-500516-3	S6LSC-21	BL-500516-3	5/8-24	10-821672-17
O-470-15	-	R-658582	S6LSC-21	BL-500516-3	S6LSC-21	BL-500516-3	5/8-24	10-821672-17
TSIO-470-B	-	BL-400451	S6RSC-25	BL-500556-1	S6RSC-25	BL-500556-1	3/4-20	10-423674-1
TSIO-470-B	-	BL-400443	S6RSC-201	BL-600606-1	S6RSC-205	BL-600656-1	3/4-20	10-423674-1
TSIO-470-C	-	BL-400451	S6RSC-25	BL-500556-1	S6RSC-25	BL-500556-1	3/4-20	10-423674-1
TSIO-470-C	-	BL-400443	S6RSC-201	BL-600606-1	S6RSC-205	BL-600656-1	3/4-20	10-423674-1
TSIO-470-D	-	BL-400451	S6RSC-25	BL-500556-1	S6RSC-25	BL-500556-1	3/4-20	10-423674-1
TSIO-470-D	-	BL-400443	S6RSC-201	BL-600606-1	S6RSC-205	BL-600656-1	3/4-20	10-423674-1
GTSIO-520-C	-	R-658583	S6LSC-201	BL-600606-1	S6LSC-205	BL-600656-3	3/4-20	10-823674-5
GTSIO-520-D	-	BL-400476	S6LN-1201	BL-349220-4	S6LN-1205	BL-349260-7	3/4-20	10-423684-5
GTSIO-520-D	12, 16	BL-349640-2	S6LN-1251	BL-349420-2	S6LN-1255	BL-349460-2	3/4-20	10-821694-5
GTSIO-520-F	-	BL-400476	S6LN-1201	BL-349220-4	S6LN-1205	BL-349260-7	3/4-20	10-423684-5
GTSIO-520-H	-	BL-400476	S6LN-1201	BL-349220-4	S6LN-1205	BL-349260-7	3/4-20	10-423684-5
GTSIO-520-H	12, 16	BL-349640-2	S6LN-1251	BL-349420-2	S6LN-1255	BL-349460-2	3/4-20	10-821694-5
GTSIO-520-K	-	BL-400476	S6LN-1201	BL-349220-4	S6LN-1205	BL-349260-7	3/4-20	10-423684-5
GTSIO-520-L	-	BL-400476	S6LN-1201	BL-349220-4	S6LN-1205	BL-349260-7	3/4-20	10-423684-5
GTSIO-520-L	12, 16	BL-349640-2	S6LN-1251	BL-349420-2	S6LN-1255	BL-349460-2	3/4-20	10-821694-5
GTSIO-520-M	-	BL-400476	S6LN-1201	BL-349220-4	S6LN-1205	BL-349260-7	3/4-20	10-423684-5
GTSIO-520-N	-	BL-400476	S6LN-1201	BL-349220-4	S6LN-1205	BL-349260-7	3/4-20	10-423684-5
GTSIO-520-N	12, 16	BL-349640-2	S6LN-1251	BL-349420-2	S6LN-1255	BL-349460-2	3/4-20	10-821694-5
IO-520-A	-	BL-400451	S6RSC-25	BL-500556-1	S6RSC-25	BL-500556-1	3/4-20	10-423674-1
IO-520-A	-	R-658557	S6RN-1225	BL-349350-4	S6RN-1225	BL-349350-5	3/4-20	10-423684-1
IO-520-A	1	-	6300	-	6300	-	3/4-20	10-423604-1
IO-520-B	-	BL-400478	S6RN-1201	BL-349220-5	S6RN-1205	BL-349260-6	3/4-20	10-423684-1



**Table 3. Ignition Applications for Continental Motors Engine Models**

Engine Model	Notes	Ignition System Kit Part No.	Left Magneto		Right Magneto		Spark Plug	Harness Part No.
			Type No.	Part No.	Type No.	Part No.		
IO-520-BA	-	BL-400451	S6RSC-25	BL-500556-1	S6RSC-25	BL-500556-1	3/4-20	10-423674-1
IO-520-BA	-	BL-400443	S6RSC-201	BL-600606-1	S6RSC-205	BL-600656-1	3/4-20	10-423674-1
IO-520-BA	-	R-658557	S6RN-1225	BL-349350-4	S6RN-1225	BL-349350-5	3/4-20	10-423684-1
IO-520-BA	-	BL-400478	S6RN-1201	BL-349220-5	S6RN-1205	BL-349260-6	3/4-20	10-423684-1
IO-520-BA	1	-	6300	-	6300	-	3/4-20	10-423604-1
IO-520-BB	-	BL-400451	S6RSC-25	BL-500556-1	S6RSC-25	BL-500556-1	3/4-20	10-423674-1
IO-520-BB	-	BL-400443	S6RSC-201	BL-600606-1	S6RSC-205	BL-600656-1	3/4-20	10-423674-1
IO-520-BB	-	R-658557	S6RN-1225	BL-349350-4	S6RN-1225	BL-349350-5	3/4-20	10-423684-1
IO-520-BB	-	BL-400478	S6RN-1201	BL-349220-5	S6RN-1205	BL-349260-6	3/4-20	10-423684-1
IO-520-BB	1	-	6300	-	6300	-	3/4-20	10-423604-1
IO-520-C	-	R-658557	S6RN-1225	BL-349350-4	S6RN-1225	BL-349350-5	3/4-20	10-423684-1
IO-520-C	-	BL-400478	S6RN-1201	BL-349220-5	S6RN-1205	BL-349260-6	3/4-20	10-423684-1
IO-520-C	1	-	6300	-	6300	-	3/4-20	10-423604-1
IO-520-CB	-	R-658557	S6RN-1225	BL-349350-4	S6RN-1225	BL-349350-5	3/4-20	10-423684-1
IO-520-CB	-	BL-400478	S6RN-1201	BL-349220-5	S6RN-1205	BL-349260-6	3/4-20	10-423684-1
IO-520-CB	1	-	6300	-	6300	-	3/4-20	10-423604-1
IO-520-D	-	BL-400451	S6RSC-25	BL-500556-1	S6RSC-25	BL-500556-1	3/4-20	10-423674-1
IO-520-D	-	R-658557	S6RN-1225	BL-349350-4	S6RN-1225	BL-349350-5	3/4-20	10-423684-1
IO-520-D	1	-	6300	-	6300	-	3/4-20	10-423604-1
IO-520-E	-	BL-400443	S6RSC-201	BL-600606-1	S6RSC-205	BL-600656-1	3/4-20	10-423674-1
IO-520-E	-	R-658557	S6RN-1225	BL-349350-4	S6RN-1225	BL-349350-5	3/4-20	10-423684-1
IO-520-F	-	BL-400451	S6RSC-25	BL-500556-1	S6RSC-25	BL-500556-1	3/4-20	10-423674-1
IO-520-F	-	R-658557	S6RN-1225	BL-349350-4	S6RN-1225	BL-349350-5	3/4-20	10-423684-1
IO-520-F	1	-	6300	-	6300	-	3/4-20	10-423604-1
IO-520-J	-	R-658557	S6RN-1225	BL-349350-4	S6RN-1225	BL-349350-5	3/4-20	10-423684-1
IO-520-J	1	-	6300	-	6300	-	3/4-20	10-423604-1
IO-520-K	-	BL-400451	S6RSC-25	BL-500556-1	S6RSC-25	BL-500556-1	3/4-20	10-423674-1
IO-520-K	2	-	S6RN-1201	BL-349220-5	S6RN-1205	BL-349260-3	3/4-20	10-423684-1
IO-520-L	-	BL-400451	S6RSC-25	BL-500556-1	S6RSC-25	BL-500556-1	3/4-20	10-423674-1
IO-520-L	-	R-658557	S6RN-1225	BL-349350-4	S6RN-1225	BL-349350-5	3/4-20	10-423684-1
IO-520-L	1	-	6300	-	6300	-	3/4-20	10-423604-1



**Table 3. Ignition Applications for Continental Motors Engine Models**

Engine Model	Notes	Ignition System Kit Part No.	Left Magneto		Right Magneto		Spark Plug	Harness Part No.
			Type No.	Part No.	Type No.	Part No.		
IO-520-M	-	BL-400443	S6RSC-201	BL-600606-1	S6RSC-205	BL-600656-1	3/4-20	10-423674-1
IO-520-M	1	-	6300	-	6300	-	3/4-20	10-423604-1
IO-520-MB	-	R-658557	S6RN-1225	BL-349350-4	S6RN-1225	BL-349350-5	3/4-20	10-423684-1
IO-520-MB	-	BL-400443	S6RSC-201	BL-600606-1	S6RSC-205	BL-600656-1	3/4-20	10-423674-1
LTSIO-520-AE	-	R-658569	S6LN-1225	BL-349350-6	S6LN-1225	BL-349350-7	3/4-20	10-423684-1
LTSIO-520-AE	1	-	6300	-	6300	-	3/4-20	10-423604-1
TSIO-520-AE	-	R-658557	S6RN-1225	BL-349350-4	S6RN-1225	BL-349350-5	3/4-20	10-423684-1
TSIO-520-AE	1	-	6300	-	6300	-	3/4-20	10-423604-1
TSIO-520-AF	-	R-658557	S6RN-1225	BL-349350-4	S6RN-1225	BL-349350-5	3/4-20	10-423684-1
TSIO-520-AF	1	-	6300	-	6300	-	3/4-20	10-423604-1
TSIO-520-B	-	BL-400443	S6RSC-201	BL-600606-1	S6RSC-205	BL-600656-1	3/4-20	10-423674-1
TSIO-520-B	-	BL-400478	S6RN-1201	BL-349220-5	S6RN-1205	BL-349260-6	3/4-20	10-423684-1
TSIO-520-BB	-	BL-400443	S6RSC-201	BL-600606-1	S6RSC-205	BL-600656-1	3/4-20	10-423674-1
TSIO-520-BB	-	BL-400478	S6RN-1201	BL-349220-5	S6RN-1205	BL-349260-6	3/4-20	10-423684-1
TSIO-520-BE	14, 15	R-658577	S6RSC-25P	BL-500556-101	S6RSC-25P	BL-500556-101	3/4-20	10-823674-7
TSIO-520-BE	1	-	6300	-	6300	-	3/4-20	10-821604-7
TSIO-520-C	-	R-658557	S6RN-1225	BL-349350-4	S6RN-1225	BL-349350-5	3/4-20	10-423684-1
TSIO-520-C	-	BL-400443	S6RSC-201	BL-600606-1	S6RSC-205	BL-600656-1	3/4-20	10-423674-1
TSIO-520-C	1	-	6300	-	6300	-	3/4-20	10-423604-1
TSIO-520-CE	-	R-658568	S6RN-1225	BL-349350-4	S6LN-1225	BL-349350-5	3/4-20	10-823684-7
TSIO-520-CE	1	-	6300	-	6300	-	3/4-20	10-821604-7
TSIO-520-D	-	BL-400478	S6RN-1201	BL-349220-5	S6RN-1205	BL-349260-6	3/4-20	10-423684-1
TSIO-520-D	-	R-658557	S6RN-1225	BL-349350-4	S6RN-1225	BL-349350-5	3/4-20	10-423684-1
TSIO-520-D	1	-	6300	-	6300	-	3/4-20	10-423604-1
TSIO-520-DB	-	BL-400478	S6RN-1201	BL-349220-5	S6RN-1205	BL-349260-6	3/4-20	10-423684-1
TSIO-520-DB	-	R-658557	S6RN-1225	BL-349350-4	S6RN-1225	BL-349350-5	3/4-20	10-423684-1
TSIO-520-DB	1	-	6300	-	6300	-	3/4-20	10-423604-1
TSIO-520-E	-	BL-400443	S6RSC-201	BL-600606-1	S6RSC-205	BL-600656-1	3/4-20	10-423674-1
TSIO-520-EB	-	BL-400443	S6RSC-201	BL-600606-1	S6RSC-205	BL-600656-1	3/4-20	10-423674-1





**Table 3. Ignition Applications for Continental Motors Engine Models**

Engine Model	Notes	Ignition System Kit Part No.	Left Magneto		Right Magneto		Spark Plug	Harness Part No.
			Type No.	Part No.	Type No.	Part No.		
TSIO-520-G	-	R-658557	S6RN-1225	BL-349350-4	S6RN-1225	BL-349350-5	3/4-20	10-423684-1
TSIO-520-G	1	-	6300	-	6300	-	3/4-20	10-423604-1
TSIO-520-H	-	R-658557	S6RN-1225	BL-349350-4	S6RN-1225	BL-349350-5	3/4-20	10-423684-1
TSIO-520-H	1	-	6300	-	6300	-	3/4-20	10-423604-1
TSIO-520-J	-	BL-400478	S6RN-1201	BL-349220-5	S6RN-1205	BL-349260-6	3/4-20	10-423684-1
TSIO-520-JB	-	BL-400478	S6RN-1201	BL-349220-5	S6RN-1205	BL-349260-6	3/4-20	10-423684-1
TSIO-520-JB	-	R-658557	S6RN-1225	BL-349350-4	S6RN-1225	BL-349350-5	3/4-20	10-423684-1
TSIO-520-K	-	BL-400478	S6RN-1201	BL-349220-5	S6RN-1205	BL-349260-6	3/4-20	10-423684-1
TSIO-520-KB	-	BL-400478	S6RN-1201	BL-349220-5	S6RN-1205	BL-349260-6	3/4-20	10-423684-1
TSIO-520-L	-	BL-400478	S6RN-1201	BL-349220-5	S6RN-1205	BL-349260-6	3/4-20	10-423684-1
TSIO-520-LB	-	BL-400478	S6RN-1201	BL-349220-5	S6RN-1205	BL-349260-6	3/4-20	10-423684-1
TSIO-520-M	-	R-658557	S6RN-1225	BL-349350-4	S6RN-1225	BL-349350-5	3/4-20	10-423684-1
TSIO-520-M	1	-	6300	-	6300	-	3/4-20	10-423604-1
TSIO-520-N	-	BL-400478	S6RN-1201	BL-349220-5	S6RN-1205	BL-349260-6	3/4-20	10-423684-1
TSIO-520-N	12, 16	BL-349640-1	S6RN-1251	BL-349420-1	S6RN-1255	BL-349460-1	3/4-20	10-823694-1
TSIO-520-NB	-	BL-400478	S6RN-1201	BL-349220-5	S6RN-1205	BL-349260-6	3/4-20	10-423684-1
TSIO-520-NB	12, 16	BL-349640-1	S6RN-1251	BL-349420-1	S6RN-1255	BL-349460-1	3/4-20	10-823694-1
TSIO-520-NB	-	R-658557	S6RN-1225	BL-349350-4	S6RN-1225	BL-349350-5	3/4-20	10-423684-1
TSIO-520-P	-	R-658557	S6RN-1225	BL-349350-4	S6RN-1225	BL-349350-5	3/4-20	10-423684-1
TSIO-520-P	1	-	6300	-	6300	-	3/4-20	10-423604-1
TSIO-520-R	-	BL-400478	S6RN-1201	BL-349220-5	S6RN-1205	BL-349260-6	3/4-20	10-423684-1
TSIO-520-R	-	R-658557	S6RN-1225	BL-349350-4	S6RN-1225	BL-349350-5	3/4-20	10-423684-1
TSIO-520-R	1	-	6300	-	6300	-	3/4-20	10-423604-1
TSIO-520-T	-	R-658557	S6RN-1225	BL-349350-4	S6RN-1225	BL-349350-5	3/4-20	10-423684-1
TSIO-520-T	1	-	6300	-	6300	-	3/4-20	10-423604-1
TSIO-520-UB	-	BL-400478	S6RN-1201	BL-349220-5	S6RN-1205	BL-349260-6	3/4-20	10-423684-1
TSIO-520-UB	-	R-658557	S6RN-1225	BL-349350-4	S6RN-1225	BL-349350-5	3/4-20	10-423684-1
TSIO-520-UB	1	-	6300	-	6300	-	3/4-20	10-423604-1



**Table 3. Ignition Applications for Continental Motors Engine Models**

Engine Model	Notes	Ignition System Kit Part No.	Left Magneto		Right Magneto		Spark Plug	Harness Part No.
			Type No.	Part No.	Type No.	Part No.		
TSIO-520-VB	-	BL-400443	S6RSC-201	BL-600606-1	S6RSC-205	BL-600656-1	3/4-20	10-423674-1
TSIO-520-WB	-	BL-400478	S6RN-1201	BL-349220-5	S6RN-1205	BL-349260-6	3/4-20	10-423684-1
IO-550-A	-	BL-400443	S6RSC-201	BL-600606-1	S6RSC-205	BL-600656-1	3/4-20	10-423674-1
IO-550-A	-	R-658557	S6RN-1225	BL-349350-4	S6RN-1225	BL-349350-5	3/4-20	10-423684-1
IO-550-B	-	BL-400451	S6RSC-25	BL-500556-1	S6RSC-25	BL-500556-1	3/4-20	10-823674-1
IO-550-B	-	BL-400478	S6RN-1201	BL-349220-5	S6RN-1205	BL-349260-6	3/4-20	10-423684-1
IO-550-B	-	R-658557	S6RN-1225	BL-349350-4	S6RN-1225	BL-349350-5	3/4-20	10-423684-1
IO-550-B	1	-	6300	-	6300	-	3/4-20	10-423604-1
IO-550-C	-	BL-400451	S6RSC-25	BL-500556-1	S6RSC-25	BL-500556-1	3/4-20	10-823674-1
IO-550-C	-	R-658557	S6RN-1225	BL-349350-4	S6RN-1225	BL-349350-5	3/4-20	10-423684-1
IO-550-C	1	-	6300	-	6300	-	3/4-20	10-423604-1
IO-550-D	-	R-658557	S6RN-1225	BL-349350-4	S6RN-1225	BL-349350-5	3/4-20	10-423684-1
IO-550-D	-	BL-400478	S6RN-1201	BL-349220-5	S6RN-1205	BL-349260-6	3/4-20	10-423684-1
IO-550-D	1	-	6300	-	6300	-	3/4-20	10-423604-1
IO-550-E	-	R-658557	S6RN-1225	BL-349350-4	S6RN-1225	BL-349350-5	3/4-20	10-423684-1
IO-550-E	-	BL-400478	S6RN-1201	BL-349220-5	S6RN-1205	BL-349260-6	3/4-20	10-423684-1
IO-550-F	-	BL-400451	S6RSC-25	BL-500556-1	S6RSC-25	BL-500556-1	3/4-20	10-823674-1
IO-550-F	-	R-658557	S6RN-1225	BL-349350-4	S6RN-1225	BL-349350-5	3/4-20	10-423684-1
IO-550-F	1	-	6300	-	6300	-	3/4-20	10-423604-1
IO-550-G	-	R-658570	S6RSC-25	BL-500556-1	S6RSC-25	BL-500556-1	3/4-20	10-423674-19
IO-550-G	42	R-658576	S6RSC-25	BL-500556-1	S6RSC-25	BL-500556-1	3/4-20	10-823674-7
IO-550-L	-	R-658557	S6RN-1225	BL-349350-4	S6RN-1225	BL-349350-5	3/4-20	10-423684-1
IO-550-L	1	-	6300	-	6300	-	3/4-20	10-823604-1
IO-550-N	27	R-658570	S6RSC-25	BL-500556-1	S6RSC-25	BL-500556-1	3/4-20	10-423674-19
IO-550-N	28	R-658571	S6RSC-25	BL-500556-1	S6RSC-25	BL-500556-1	3/4-20	10-423674-25
IO-550-N	29	R-658572	S6RSC-25	BL-500556-1	S6RSC-25	BL-500556-1	3/4-20	10-423674-31
IO-550-N	30	-	S6RSC-25	BL-500556-1	S6RSC-25	BL-500556-1	3/4-20	10-423674-33
IO-550-P	-	R-658571	S6RSC-25	BL-500556-1	S6RSC-25	BL-500556-1	3/4-20	10-423674-25
IO-550-R	-	R-658571	S6RSC-25	BL-500556-1	S6RSC-25	BL-500556-1	3/4-20	10-423674-25



**Table 3. Ignition Applications for Continental Motors Engine Models**

Engine Model	Notes	Ignition System Kit Part No.	Left Magneto		Right Magneto		Spark Plug	Harness Part No.
			Type No.	Part No.	Type No.	Part No.		
IOF-550-N	32	-	-	-	-	-	3/4-20	10-421654-31
IOF-550-N	33	-	-	-	-	-	3/4-20	10-421654-33
IOF-550-N	34	-	-	-	-	-	3/4-20	10-421654-43
TSIO-550-A	14	R-658577	S6RSC-25P	BL-500556-101	S6RSC-25P	BL-500556-101	3/4-20	10-823674-7
TSIO-550-B	14	R-658577	S6RSC-25P	BL-500556-101	S6RSC-25P	BL-500556-101	3/4-20	10-823674-7
TSIO-550-C	14, 35	-	S6RSC-25P	BL-500556-101	S6RSC-25P	BL-500556-101	3/4-20	10-823674-7
TSIO-550-C	14, 36	R-658564	S6RSC-25P	BL-500556-101	S6RSC-25P	BL-500556-101	3/4-20	10-423674-21
TSIO-550-C	14, 41	R-658573	S6RSC-25P	BL-500556-101	S6RSC-25P	BL-500556-101	3/4-20	10-423674-25
TSIO-550-C	1, 14, 37	-	6300	-	6300	-	3/4-20	10-823604-21
TSIO-550-E	14, 38	R-658577	S6RSC-25P	BL-500556-101	S6RSC-25P	BL-500556-101	3/4-20	10-823674-7
TSIO-550-E	14, 39	R-658564	S6RSC-25P	BL-500556-101	S6RSC-25P	BL-500556-101	3/4-20	10-423674-21
TSIO-550-E	1, 39	-	6300	-	6300	-	3/4-20	10-423604-21
TSIO-550-G	14	-	S6RSC-25P	BL-500556-101	S6RSC-25P	BL-500556-101	3/4-20	10-423674-47
TSIO-550-K	14	-	S6RSC-25P	BL-500556-101	S6RSC-25P	BL-500556-101	3/4-20	10-423674-21
TSIO-550-N	14	-	S6RSC-25P	BL-500556-101	S6RSC-25P	BL-500556-101	3/4-20	10-423674-21
TSIOL-550-A	12, 16	BL-349640-1	S6RN-1251	BL-349420-1	S6RN-1255	BL-349460-1	3/4-20	10-823694-1
TSIOL-550-C	-	R-658557	S6RN-1225	BL-349350-4	S6RN-1225	BL-349350-5	3/4-20	10-423684-1
TSIOL-550-C	-	-	6300	-	6300	-	3/4-20	10-423604-1



**Table 4. Ignition Applications for Textron Lycoming Engine Models**

Engine Model	Notes	Ignition System Kit Part No.	Left Magneto		Right Magneto		Spark Plug	Harness Part No.
			Type No.	Part No.	Type No.	Part No.		
O-235-C1	-	BL-400440	S4LSC-21	BL-500514-1	S4LSC-204	BL-600644-1	5/8-24	10-821471-16
O-235-C1	21	BL-400434	S4LSC-21	BL-500514-1	S4LSC-21	BL-500514-1	5/8-24	10-821471-16
O-235-C1	1	-	4300	-	4300	-	5/8-24	10-821401-16
O-235-C1A	-	BL-400450	S4LSC-21	BL-500514-1	S4LSC-204	BL-600644-1	5/8-24	10-821471-2
O-235-C1A	21	-	S4LSC-21	BL-500514-1	S4LSC-21	BL-500514-1	5/8-24	10-821471-2
O-235-C1B	-	BL-400427	S4LSC-200	BL-600614-1	S4LSC-204	BL-600644-1	5/8-24	10-821471-16
O-235-C1B	1	-	4300	-	4300	-	5/8-24	10-821401-16
O-235-C1C	3	BL-400450	S4LSC-21	BL-500514-1	S4LSC-204	BL-600644-1	5/8-24	10-821471-2
O-235-C1C	21	-	S4LSC-21	BL-500514-1	S4LSC-21	BL-500514-1	5/8-24	10-821471-2
O-235-C1C	1	-	4300	-	4300	-	5/8-24	10-821401-2
O-235-C2A	-	BL-400440	S4LSC-21	BL-500514-1	S4LSC-204	BL-600644-1	5/8-24	10-821471-16
O-235-C2A	21	BL-400434	S4LSC-21	BL-500514-1	S4LSC-21	BL-500514-1	5/8-24	10-821471-16
O-235-C2A	1	-	4300	-	4300	-	5/8-24	10-821401-16
O-235-C2B	-	BL-400483	S4LN-1227	BL-349365-3	S4LN-1209	BL-349305-1	5/8-24	10-821481-2
O-235-C2B	21	-	S4LN-1227	BL-349365-3	S4LN-1227	BL-349365-3	5/8-24	10-821481-2
O-235-C2C	3	BL-400450	S4LSC-21	BL-500514-1	S4LSC-204	BL-600644-1	5/8-24	10-821471-2
O-235-C2C	3, 21	-	S4LSC-21	BL-500514-1	S4LSC-21	BL-500514-1	5/8-24	10-821471-2
O-235-C2C	1	-	4300	-	4300	-	5/8-24	10-821401-2
O-235-E1	-	BL-400450	S4LSC-21	BL-500514-1	S4LSC-204	BL-600644-1	5/8-24	10-821471-2
O-235-E1	21	-	S4LSC-21	BL-500514-1	S4LSC-21	BL-500514-1	5/8-24	10-821471-2
O-235-E1B	-	BL-400465	S4LSC-200	BL-600614-1	S4LSC-204	BL-600644-1	5/8-24	10-821471-2
O-235-E2A	-	BL-400440	S4LSC-21	BL-500514-1	S4LSC-204	BL-600644-1	5/8-24	10-821471-16
O-235-E2A	21	BL-400434	S4LSC-21	BL-500514-1	S4LSC-21	BL-500514-1	5/8-24	10-821471-16
O-235-E2A	-	-	4300	-	4300	-	5/8-24	10-821401-16
O-235-E2B	-	BL-400483	S4LN-1227	BL-349365-3	S4LN-1209	BL-349305-1	5/8-24	10-821481-2
O-235-E2B	21	-	S4LN-1227	BL-349365-3	S4LN-1227	BL-349365-3	5/8-24	10-821481-2
O-235-F1	-	BL-400450	S4LSC-21	BL-500514-1	S4LSC-204	BL-600644-1	5/8-24	10-821471-2
O-235-F1	21, 49	-	S4LSC-21	BL-500514-1	S4LSC-21	BL-500514-1	5/8-24	10-821471-2
O-235-F1B	-	BL-400427	S4LSC-200	BL-600614-1	S4LSC-204	BL-600644-1	5/8-24	10-821471-16
O-235-F2A	-	BL-400440	S4LSC-21	BL-500514-1	S4LSC-204	BL-600644-1	5/8-24	10-821471-16
O-235-F2A	21	BL-400434	S4LSC-21	BL-500514-1	S4LSC-21	BL-500514-1	5/8-24	10-821471-16
O-235-F2A	-	-	4300	-	4300	-	5/8-24	10-821401-16



**Table 4. Ignition Applications for Textron Lycoming Engine Models**

Engine Model	Notes	Ignition System Kit Part No.	Left Magneto		Right Magneto		Spark Plug	Harness Part No.
			Type No.	Part No.	Type No.	Part No.		
O-235-F2B	-	BL-400483	S4LN-1227	BL-349365-3	S4LN-1209	BL-349305-1	5/8-24	10-821481-2
O-235-F2B	21	-	S4LN-1227	BL-349365-3	S4LN-1227	BL-349365-3	5/8-24	10-821481-2
O-235-F2B	1, 49	-	4300	-	4300	-	5/8-24	10-821401-2
O-235-G1	-	BL-400440	S4LSC-21	BL-500514-1	S4LSC-204	BL-600644-1	5/8-24	10-821471-16
O-235-G1	21	BL-400434	S4LSC-21	BL-500514-1	S4LSC-21	BL-500514-1	5/8-24	10-821471-16
O-235-G1	-	-	4300	-	4300	-	5/8-24	10-821401-16
O-235-G1B	49	BL-400465	S4LSC-200	BL-600614-1	S4LSC-204	BL-600644-1	5/8-24	10-821471-2
O-235-G2A	-	BL-400440	S4LSC-21	BL-500514-1	S4LSC-204	BL-600644-1	5/8-24	10-821471-16
O-235-G2A	21	BL-400434	S4LSC-21	BL-500514-1	S4LSC-21	BL-500514-1	5/8-24	10-821471-16
O-235-G2A	-	-	4300	-	4300	-	5/8-24	10-821401-16
O-235-G2B	-	BL-400483	S4LN-1227	BL-349365-3	S4LN-1209	BL-349305-1	5/8-24	10-821481-2
O-235-G2B	21	-	S4LN-1227	BL-349365-3	S4LN-1227	BL-349365-3	5/8-24	10-821481-2
O-235-H2C	3, 49	BL-400450	S4LSC-21	BL-500514-1	S4LSC-204	BL-600644-1	5/8-24	10-821471-2
O-235-H2C	3, 21, 49	-	S4LSC-21	BL-500514-1	S4LSC-21	BL-500514-1	5/8-24	10-821471-2
O-235-H2C	1, 50	-	4300	-	4300	-	5/8-24	10-821401-2
O-235-J2A	-	BL-400440	S4LSC-21	BL-500514-1	S4LSC-204	BL-600644-1	5/8-24	10-821471-16
O-235-J2A	21	BL-400434	S4LSC-21	BL-500514-1	S4LSC-21	BL-500514-1	5/8-24	10-821471-16
O-235-J2A	1	-	4300	-	4300	-	5/8-24	10-821401-16
O-235-J2B	-	BL-400483	S4LN-1227	BL-349365-3	S4LN-1209	BL-349305-1	5/8-24	10-821481-2
O-235-J2B	21	-	S4LN-1227	BL-349365-3	S4LN-1227	BL-349365-3	5/8-24	10-821481-2
O-235-K2A	-	-	S4LSC-21	BL-500514-2	S4LSC-204	BL-600644-1	5/8-24	10-821471-16
O-235-K2A	-	-	S4LSC-21	BL-500514-2	S4LSC-21	BL-500514-2	5/8-24	10-821471-16
O-235-K2B	-	BL-400483	S4LN-1227	BL-349365-9	S4LN-1209	BL-349305-1	5/8-24	10-821481-2
O-235-K2B	21	-	S4LN-1227	BL-349365-9	S4LN-1227	BL-349365-9	5/8-24	10-821481-2
O-235-K2B	1, 50	-	4300	-	4300	-	5/8-24	10-821401-2
O-235-K2C	3, 49	BL-400453	S4LSC-21	BL-500514-2	S4LSC-204	BL-600644-1	5/8-24	10-821471-2
O-235-K2C	3, 21, 49	-	S4LSC-21	BL-500514-2	S4LSC-21	BL-500514-2	5/8-24	10-821471-2
O-235-K2C	1, 50	-	4300	-	4300	-	5/8-24	10-821401-2
O-235-L2A	-	-	S4LSC-21	BL-500514-2	S4LSC-204	BL-600644-1	5/8-24	10-821471-16
O-235-L2A	3	BL-400461	S4LSC-21	BL-500514-2	S4LSC-204T	BL-600644-201	5/8-24	10-821471-16
O-235-L2A	21	-	S4LSC-21	BL-500514-2	S4LSC-21	BL-500514-2	5/8-24	10-821471-16
O-235-L2A	1	-	4300	-	4300	-	5/8-24	10-821401-16



**Table 4. Ignition Applications for Textron Lycoming Engine Models**

Engine Model	Notes	Ignition System Kit Part No.	Left Magneto		Right Magneto		Spark Plug	Harness Part No.
			Type No.	Part No.	Type No.	Part No.		
O-235-L2C	3, 49	BL-400453	S4LSC-21	BL-500514-2	S4LSC-204	BL-600644-1	5/8-24	10-821471-2
O-235-L2C	3, 21, 49	-	S4LSC-21	BL-500514-2	S4LSC-21	BL-500514-2	5/8-24	10-821471-2
O-235-L2C	1, 50	-	4300	-	4300	-	5/8-24	10-821401-2
O-235-M1	-	-	S4LSC-21	BL-500514-2	S4LSC-204	BL-600644-1	5/8-24	10-821471-16
O-235-M1	21	-	S4LSC-21	BL-500514-2	S4LSC-21	BL-500514-2	5/8-24	10-821471-16
O-235-M2C	3, 49	BL-400450	S4LSC-21	BL-500514-1	S4LSC-204	BL-600644-1	5/8-24	10-821471-2
O-235-M2C	3, 21, 49	-	S4LSC-21	BL-500514-1	S4LSC-21	BL-500514-1	5/8-24	10-821471-2
O-235-M2C	1, 50	-	4300	-	4300	-	5/8-24	10-821401-2
O-235-M3C	3, 49	BL-400450	S4LSC-21	BL-500514-1	S4LSC-204	BL-600644-1	5/8-24	10-821471-2
O-235-M3C	3, 21, 49	-	S4LSC-21	BL-500514-1	S4LSC-21	BL-500514-1	5/8-24	10-821471-2
O-235-M3C	1, 50	-	4300	-	4300	-	5/8-24	10-821401-2
O-235-N2A	-	-	S4LSC-21	BL-500514-2	S4LSC-204	BL-600644-1	5/8-24	10-821471-16
O-235-N2A	21	-	S4LSC-21	BL-500514-2	S4LSC-21	BL-500514-2	5/8-24	10-821471-16
O-235-N2A	1	-	4300	-	4300	-	5/8-24	10-821401-16
O-235-N2C	3, 49	-	S4LSC-21	BL-500514-2	S4LSC-204	BL-600644-1	5/8-24	10-821471-2
O-235-N2C	3, 21, 49	-	S4LSC-21	BL-500514-2	S4LSC-21	BL-500514-2	5/8-24	10-821471-2
O-235-N2C	1, 50	-	4300	-	4300	-	5/8-24	10-821401-2
O-235-P1	-	-	S4LSC-21	BL-500514-2	S4LSC-204	BL-600644-1	5/8-24	10-821471-16
O-235-P1	21	-	S4LSC-21	BL-500514-2	S4LSC-21	BL-500514-2	5/8-24	10-821471-16
O-235-P2A	3	BL-400461	S4LSC-21	BL-500514-2	S4LSC-204T	BL-600644-201	5/8-24	10-821471-16
O-235-P2C	3, 49	BL-400450	S4LSC-21	BL-500514-1	S4LSC-204	BL-600644-1	5/8-24	10-821471-2
O-235-P2C	3, 21, 49	-	S4LSC-21	BL-500514-1	S4LSC-21	BL-500514-1	5/8-24	10-821471-2
O-235-P2C	1, 50	-	4300	-	4300	-	5/8-24	10-821401-2
O-235-P3C	1, 49	BL-400450	S4LSC-21	BL-500514-1	S4LSC-204	BL-600644-1	5/8-24	10-821471-2
O-235-P3C	1, 21, 49	-	S4LSC-21	BL-500514-1	S4LSC-21	BL-500514-1	5/8-24	10-821471-2
O-235-P3C	1, 50	-	4300	-	4300	-	5/8-24	10-821401-2
O-290-D(-11)	-	BL-400440	S4LSC-21	BL-500514-1	S4LSC-204	BL-600644-1	5/8-24	10-821471-16
O-290-D2	49	BL-400450	S4LSC-21	BL-500514-1	S4LSC-204	BL-600644-1	5/8-24	10-821471-2
O-290-D2A	49	BL-400450	S4LSC-21	BL-500514-1	S4LSC-204	BL-600644-1	5/8-24	10-821471-2
O-290-D2B	49	BL-400450	S4LSC-21	BL-500514-1	S4LSC-204	BL-600644-1	5/8-24	10-821471-2
O-290-D2C	49	BL-400465	S4LSC-200	BL-600614-1	S4LSC-204	BL-600644-1	5/8-24	10-821471-2



**Table 4. Ignition Applications for Textron Lycoming Engine Models**

Engine Model	Notes	Ignition System Kit Part No.	Left Magneto		Right Magneto		Spark Plug	Harness Part No.
			Type No.	Part No.	Type No.	Part No.		
AEIO-320-D1B	-	BL-400483	S4LN-1227	BL-349365-3	S4LN-1209	BL-349305-1	5/8-24	10-821481-2
AEIO-320-D1B	1, 50	-	4300	-	4300	-	5/8-24	10-821401-2
AEIO-320-D2B	-	BL-400483	S4LN-1227	BL-349365-3	S4LN-1209	BL-349305-1	5/8-24	10-821481-2
AEIO-320-D2B	1, 50	-	4300	-	4300	-	5/8-24	10-821401-2
AEIO-320-E1A	-	BL-400440	S4LSC-21	BL-500514-1	S4LSC-204	BL-600644-1	5/8-24	10-821471-16
AEIO-320-E1B	3	BL-400450	S4LSC-21	BL-500514-1	S4LSC-204	BL-600644-1	5/8-24	10-821471-2
AEIO-320-E1B	1, 50	-	4300	-	4300	-	5/8-24	10-821401-2
AEIO-320-E2A	-	BL-400440	S4LSC-21	BL-500514-1	S4LSC-204	BL-600644-1	5/8-24	10-821471-16
AEIO-320-E2B	3	BL-400450	S4LSC-21	BL-500514-1	S4LSC-204	BL-600644-1	5/8-24	10-821471-2
AEIO-320-E2B	1, 50	-	4300	-	4300	-	5/8-24	10-821401-2
AIO-320-A1A	-	BL-400485	S4LN-1208	BL-349285-1	S4LN-1209	BL-349305-1	5/8-24	10-821481-2
AIO-320-A1B	-	BL-400483	S4LN-1227	BL-349365-3	S4LN-1209	BL-349305-1	5/8-24	10-821481-2
AIO-320-A2A	-	BL-400485	S4LN-1208	BL-349285-1	S4LN-1209	BL-349305-1	5/8-24	10-821481-2
AIO-320-A2B	-	BL-400483	S4LN-1227	BL-349365-3	S4LN-1209	BL-349305-1	5/8-24	10-821481-2
AIO-320-B1B	-	BL-400483	S4LN-1227	BL-349365-3	S4LN-1209	BL-349305-1	5/8-24	10-821481-2
AIO-320-C1B	-	BL-400483	S4LN-1227	BL-349365-3	S4LN-1209	BL-349305-1	5/8-24	10-821481-2
IO-320-A1A	49	BL-400465	S4LSC-200	BL-600614-1	S4LSC-204	BL-600644-1	5/8-24	10-821471-2
IO-320-A2A	49	BL-400465	S4LSC-200	BL-600614-1	S4LSC-204	BL-600644-1	5/8-24	10-821471-2
IO-320-B1A	-	BL-400430	S4LSC-21	BL-500514-1	S4LSC-204	BL-600644-1	5/8-24	10-821472-22
IO-320-B1A	21	-	S4LSC-21	BL-500514-1	S4LSC-21	BL-500514-1	5/8-24	10-821472-22
IO-320-B1B	49	BL-400450	S4LSC-21	BL-500514-1	S4LSC-204	BL-600644-1	5/8-24	10-821471-2
IO-320-B1B	1, 21, 50	-	S4LSC-21	BL-500514-1	S4LSC-21	BL-500514-1	5/8-24	10-821471-2
IO-320-B1C	-	BL-400440	S4LSC-21	BL-500514-1	S4LSC-204	BL-600644-1	5/8-24	10-821471-16
IO-320-B1C	21	BL-400434	S4LSC-21	BL-500514-1	S4LSC-21	BL-500514-1	5/8-24	10-821471-16
IO-320-B1C	2	-	S4LSC-21	BL-500514-1	S4LSC-204T	BL-600644-201	5/8-24	10-821471-16
IO-320-B1C	-	-	4300	-	4300	-	5/8-24	10-821401-16
IO-320-B1D	-	BL-400485	S4LN-1208	BL-349285-1	S4LN-1209	BL-349305-1	5/8-24	10-821481-2
IO-320-B1E	1, 3	BL-400483	S4LN-1227	BL-349365-3	S4LN-1209	BL-349305-1	5/8-24	10-821481-2
IO-320-B1E	1, 50	-	4300	-	4300	-	5/8-24	10-821401-2



**Table 4. Ignition Applications for Textron Lycoming Engine Models**

Engine Model	Notes	Ignition System Kit Part No.	Left Magneto		Right Magneto		Spark Plug	Harness Part No.
			Type No.	Part No.	Type No.	Part No.		
IO-320-B2A	-	BL-400440	S4LSC-21	BL-500514-1	S4LSC-204	BL-600644-1	5/8-24	10-821471-16
IO-320-B2A	21	BL-400434	S4LSC-21	BL-500514-1	S4LSC-21	BL-500514-1	5/8-24	10-821471-16
IO-320-C1A	-	BL-400430	S4LSC-21	BL-500514-1	S4LSC-21	BL-500514-1	5/8-24	10-821472-22
IO-320-C1A	2	-	S4LSC-21	BL-500514-1	S4LSC-21T	BL-500514-201	5/8-24	10-821472-22
IO-320-C1B	49	-	S4LSC-21	BL-500514-1	S4LSC-21	BL-500514-1	5/8-24	10-821471-2
IO-320-D1A	-	BL-400483	S4LN-1227	BL-349365-3	S4LN-1209	BL-349305-1	5/8-24	10-821481-2
IO-320-D1A	1, 50	-	4300	-	4300	-	5/8-24	10-821401-2
IO-320-D1B	-	BL-400483	S4LN-1227	BL-349365-3	S4LN-1209	BL-349305-1	5/8-24	10-821481-2
IO-320-D1B	1, 50	-	4300	-	4300	-	5/8-24	10-821401-2
IO-320-D1C	3	BL-400483	S4LN-1227	BL-349365-3	S4LN-1209	BL-349305-1	5/8-24	10-821481-2
IO-320-D1C	1, 50	-	4300	-	4300	-	5/8-24	10-821401-2
IO-320-E1A	-	BL-400440	S4LSC-21	BL-500514-1	S4LSC-204	BL-600644-1	5/8-24	10-821471-16
IO-320-E1A	1	-	4300	-	4300	-	5/8-24	10-821401-16
IO-320-E1B	3, 49	BL-400450	S4LSC-21	BL-500514-1	S4LSC-204	BL-600644-1	5/8-24	10-821471-2
IO-320-E1B	1, 50	-	4300	-	4300	-	5/8-24	10-821401-2
IO-320-E2A	-	BL-400440	S4LSC-21	BL-500514-1	S4LSC-204	BL-600644-1	5/8-24	10-821471-16
IO-320-E2A	1	-	4300	-	4300	-	5/8-24	10-821401-16
IO-320-E2B	3, 49	BL-400450	S4LSC-21	BL-500514-1	S4LSC-204	BL-600644-1	5/8-24	10-821471-2
IO-320-E2B	1, 50	-	4300	-	4300	-	5/8-24	10-821401-2
IO-320-F1A	-	BL-400430	S4LSC-21	BL-500514-1	S4LSC-21	BL-500514-1	5/8-24	10-821472-22
LIO-320-B1A	-	BL-400438	S4RSC-21	BL-500514-4	S4RSC-21	BL-500514-4	5/8-24	10-821472-22
LIO-320-C1A	-	BL-400438	S4RSC-21	BL-500514-4	S4RSC-21	BL-500514-4	5/8-24	10-821472-22
O-320-A1A	49	BL-400450	S4LSC-21	BL-500514-1	S4LSC-204	BL-600644-1	5/8-24	10-821471-2
O-320-A1A	21, 50	-	S4LSC-21	BL-500514-1	S4LSC-21	BL-500514-1	5/8-24	10-821471-2
O-320-A1B	-	BL-400440	S4LSC-21	BL-500514-1	S4LSC-204	BL-600644-1	5/8-24	10-821471-16
O-320-A1B	21	BL-400434	S4LSC-21	BL-500514-1	S4LSC-21	BL-500514-1	5/8-24	10-821471-16
O-320-A2A	-	BL-400440	S4LSC-21	BL-500514-1	S4LSC-204	BL-600644-1	5/8-24	10-821471-16
O-320-A2A	21	BL-400434	S4LSC-21	BL-500514-1	S4LSC-21	BL-500514-1	5/8-24	10-821471-16
O-320-A2A	1	-	4300	-	4300	-	5/8-24	10-821401-16





**Table 4. Ignition Applications for Textron Lycoming Engine Models**

Engine Model	Notes	Ignition System Kit Part No.	Left Magneto		Right Magneto		Spark Plug	Harness Part No.
			Type No.	Part No.	Type No.	Part No.		
O-320-A2B	-	BL-400440	S4LSC-21	BL-500514-1	S4LSC-204	BL-600644-1	5/8-24	10-821471-16
O-320-A2B	21	BL-400434	S4LSC-21	BL-500514-1	S4LSC-21	BL-500514-1	5/8-24	10-821471-16
O-320-A2B	2	-	S4LSC-21	BL-500514-1	S4LSC-204T	BL-600644-201	5/8-24	10-821471-16
O-320-A2B	1	-	4300	-	4300	-	5/8-24	10-821401-16
O-320-A2C	-	BL-400427	S4LSC-200	BL-600614-1	S4LSC-204	BL-600644-1	5/8-24	10-821471-16
O-320-A2C	1	-	4300	-	4300	-	5/8-24	10-821401-16
O-320-A2D	3, 49	BL-400450	S4LSC-21	BL-500514-1	S4LSC-204	BL-600644-1	5/8-24	10-821471-2
O-320-A2D	3, 21, 49	-	S4LSC-21	BL-500514-1	S4LSC-21	BL-500514-1	5/8-24	10-821471-2
O-320-A2D	1, 50	-	4300	-	4300	-	5/8-24	10-821401-2
O-320-A3A	-	BL-400440	S4LSC-21	BL-500514-1	S4LSC-204	BL-600644-1	5/8-24	10-821471-16
O-320-A3A	21	BL-400434	S4LSC-21	BL-500514-1	S4LSC-21	BL-500514-1	5/8-24	10-821471-16
O-320-A3A	1	-	4300	-	4300	-	5/8-24	10-821401-16
O-320-A3B	-	BL-400440	S4LSC-21	BL-500514-1	S4LSC-204	BL-600644-1	5/8-24	10-821471-16
O-320-A3B	21	BL-400434	S4LSC-21	BL-500514-1	S4LSC-21	BL-500514-1	5/8-24	10-821471-16
O-320-A3B	1	-	4300	-	4300	-	5/8-24	10-821401-16
O-320-A3C	-	BL-400427	S4LSC-200	BL-600614-1	S4LSC-204	BL-600644-1	5/8-24	10-821471-16
O-320-B1A	49	BL-400450	S4LSC-21	BL-500514-1	S4LSC-204	BL-600644-1	5/8-24	10-821471-2
O-320-B1A	21, 49	-	S4LSC-21	BL-500514-1	S4LSC-21	BL-500514-1	5/8-24	10-821471-2
O-320-B1A	1, 50	-	4300	-	4300	-	5/8-24	10-821401-2
O-320-B1B	-	BL-400450	S4LSC-21	BL-500514-1	S4LSC-204	BL-600644-1	5/8-24	10-821471-2
O-320-B1B	21	-	S4LSC-21	BL-500514-1	S4LSC-21	BL-500514-1	5/8-24	10-821471-2
O-320-B2A	-	BL-400450	S4LSC-21	BL-500514-1	S4LSC-204	BL-600644-1	5/8-24	10-821471-2
O-320-B2A	21	-	S4LSC-21	BL-500514-1	S4LSC-21	BL-500514-1	5/8-24	10-821471-2
O-320-B2A	1	-	4300	-	4300	-	5/8-24	10-821401-2
O-320-B2B	-	BL-400440	S4LSC-21	BL-500514-1	S4LSC-204	BL-600644-1	5/8-24	10-821471-16
O-320-B2B	21	BL-400434	S4LSC-21	BL-500514-1	S4LSC-21	BL-500514-1	5/8-24	10-821471-16
O-320-B2B	1	-	4300	-	4300	-	5/8-24	10-821401-16
O-320-B2C	2	BL-400477	S4LSC-200	BL-600614-1	S4LSC-204T	BL-600644-201	5/8-24	10-821471-16
O-320-B2C	-	BL-400427	S4LSC-200	BL-600614-1	S4LSC-204	BL-600644-1	5/8-24	10-821471-16
O-320-B2C	1	-	4300	-	4300	-	5/8-24	10-821401-16
O-320-B3A	49	BL-400450	S4LSC-21	BL-500514-1	S4LSC-204	BL-600644-1	5/8-24	10-821471-2
O-320-B3A	21, 49	-	S4LSC-21	BL-500514-1	S4LSC-21	BL-500514-1	5/8-24	10-821471-2



**Table 4. Ignition Applications for Textron Lycoming Engine Models**

Engine Model	Notes	Ignition System Kit Part No.	Left Magneto		Right Magneto		Spark Plug	Harness Part No.
			Type No.	Part No.	Type No.	Part No.		
O-320-B3B	-	BL-400440	S4LSC-21	BL-500514-1	S4LSC-204	BL-600644-1	5/8-24	10-821471-16
O-320-B3B	21	BL-400434	S4LSC-21	BL-500514-1	S4LSC-21	BL-500514-1	5/8-24	10-821471-16
O-320-B3B	1	-	4300	-	4300	-	5/8-24	10-821401-16
O-320-B3C	-	BL-400427	S4LSC-200	BL-600614-1	S4LSC-204	BL-600644-1	5/8-24	10-821471-16
O-320-C1A	49	BL-400450	S4LSC-21	BL-500514-1	S4LSC-204	BL-600644-1	5/8-24	10-821471-2
O-320-C1A	21, 49	-	S4LSC-21	BL-500514-1	S4LSC-21	BL-500514-1	5/8-24	10-821471-2
O-320-C1B	49	BL-400450	S4LSC-21	BL-500514-1	S4LSC-204	BL-600644-1	5/8-24	10-821471-2
O-320-C1B	21, 49	-	S4LSC-21	BL-500514-1	S4LSC-21	BL-500514-1	5/8-24	10-821471-2
O-320-C2A	49	BL-400450	S4LSC-21	BL-500514-1	S4LSC-204	BL-600644-1	5/8-24	10-821471-2
O-320-C2A	21, 49	-	S4LSC-21	BL-500514-1	S4LSC-21	BL-500514-1	5/8-24	10-821471-2
O-320-C2B	49	BL-400450	S4LSC-21	BL-500514-1	S4LSC-204	BL-600644-1	5/8-24	10-821471-2
O-320-C2B	21, 49	-	S4LSC-21	BL-500514-1	S4LSC-21	BL-500514-1	5/8-24	10-821471-2
O-320-C2C	49	BL-400465	S4LSC-200	BL-600614-1	S4LSC-204	BL-600644-1	5/8-24	10-821471-2
O-320-C3A	49	BL-400450	S4LSC-21	BL-500514-1	S4LSC-204	BL-600644-1	5/8-24	10-821471-2
O-320-C3A	21, 49	-	S4LSC-21	BL-500514-1	S4LSC-21	BL-500514-1	5/8-24	10-821471-2
O-320-C3B	49	BL-400450	S4LSC-21	BL-500514-1	S4LSC-204	BL-600644-1	5/8-24	10-821471-2
O-320-C3B	21, 49	-	S4LSC-21	BL-500514-1	S4LSC-21	BL-500514-1	5/8-24	10-821471-2
O-320-C3C	49	BL-400465	S4LSC-200	BL-600614-1	S4LSC-204	BL-600644-1	5/8-24	10-821471-2
O-320-D1A	-	BL-400440	S4LSC-21	BL-500514-1	S4LSC-204	BL-600644-1	5/8-24	10-821471-16
O-320-D1A	21	BL-400434	S4LSC-21	BL-500514-1	S4LSC-21	BL-500514-1	5/8-24	10-821471-16
O-320-D1A	2	-	S4LSC-21	BL-500514-1	S4LSC-204T	BL-600644-201	5/8-24	10-821471-16
O-320-D1A	1	-	4300	-	4300	-	5/8-24	10-821401-16
O-320-D1B	49	BL-400465	S4LSC-200	BL-600614-1	S4LSC-204	BL-600644-1	5/8-24	10-821471-2
O-320-D1C	-	BL-400483	S4LN-1227	BL-349365-3	S4LN-1209	BL-349305-1	5/8-24	10-821481-2
O-320-D1C	21	-	S4LN-1227	BL-349365-3	S4LN-1227	BL-349365-3	5/8-24	10-821481-2
O-320-D1D	3, 49	BL-400450	S4LSC-21	BL-500514-1	S4LSC-204	BL-600644-1	5/8-24	10-821471-2
O-320-D1D	3, 21, 49	-	S4LSC-21	BL-500514-1	S4LSC-21	BL-500514-1	5/8-24	10-821471-2
O-320-D1D	1, 50	-	4300	-	4300	-	5/8-24	10-821401-2
O-320-D1F	-	BL-400483	S4LN-1227	BL-349365-3	S4LN-1209	BL-349305-1	5/8-24	10-821481-2
O-320-D1F	21	-	S4LN-1227	BL-349365-3	S4LN-1227	BL-349365-3	5/8-24	10-821481-2
O-320-D1F	1, 50	-	4300	-	4300	-	5/8-24	10-821401-2



**Table 4. Ignition Applications for Textron Lycoming Engine Models**

Engine Model	Notes	Ignition System Kit Part No.	Left Magneto		Right Magneto		Spark Plug	Harness Part No.
			Type No.	Part No.	Type No.	Part No.		
O-320-D2A	49	BL-400450	S4LSC-21	BL-500514-1	S4LSC-204	BL-600644-1	5/8-24	10-821471-2
O-320-D2A	21, 49	-	S4LSC-21	BL-500514-1	S4LSC-21	BL-500514-1	5/8-24	10-821471-2
O-320-D2A	1, 50	-	4300	-	4300	-	5/8-24	10-821401-2
O-320-D2B	-	BL-400427	S4LSC-200	BL-600614-1	S4LSC-204	BL-600644-1	5/8-24	10-821471-16
O-320-D2B	1	-	4300	-	4300	-	5/8-24	10-821401-16
O-320-D2C	-	BL-400483	S4LN-1227	BL-349365-3	S4LN-1209	BL-349305-1	5/8-24	10-821481-2
O-320-D2C	21	-	S4LN-1227	BL-349365-3	S4LN-1227	BL-349365-3	5/8-24	10-821481-2
O-320-D2F	-	BL-400483	S4LN-1227	BL-349365-3	S4LN-1209	BL-349305-1	5/8-24	10-821481-2
O-320-D2F	21	-	S4LN-1227	BL-349365-3	S4LN-1227	BL-349365-3	5/8-24	10-821481-2
O-320-D2G	3, 49	BL-400450	S4LSC-21	BL-500514-1	S4LSC-204	BL-600644-1	5/8-24	10-821471-2
O-320-D2G	3, 21, 49	-	S4LSC-21	BL-500514-1	S4LSC-21	BL-500514-1	5/8-24	10-821471-2
O-320-D2G	1, 50	-	4300	-	4300	-	5/8-24	10-821401-2
O-320-D2H	3, 49	BL-400450	S4LSC-21	BL-500514-1	S4LSC-204	BL-600644-1	5/8-24	10-821471-2
O-320-D2H	3, 21, 49	-	S4LSC-21	BL-500514-1	S4LSC-21	BL-500514-1	5/8-24	10-821471-2
O-320-D2H	1, 50	-	4300	-	4300	-	5/8-24	10-821401-2
O-320-D2J	3, 49	BL-400450	S4LSC-21	BL-500514-1	S4LSC-204	BL-600644-1	5/8-24	10-821471-2
O-320-D2J	3, 21, 49	-	S4LSC-21	BL-500514-1	S4LSC-21	BL-500514-1	5/8-24	10-821471-2
O-320-D2J	1, 50	-	4300	-	4300	-	5/8-24	10-821401-2
O-320-D3G	3, 49	BL-400450	S4LSC-21	BL-500514-1	S4LSC-204	BL-600644-1	5/8-24	10-821471-2
O-320-D3G	3, 21, 49	-	S4LSC-21	BL-500514-1	S4LSC-21	BL-500514-1	5/8-24	10-821471-2
O-320-D3G	1, 50	-	4300	-	4300	-	5/8-24	10-821401-2
O-320-E1A	-	BL-400440	S4LSC-21	BL-500514-1	S4LSC-204	BL-600644-1	5/8-24	10-821471-16
O-320-E1A	21	BL-400434	S4LSC-21	BL-500514-1	S4LSC-21	BL-500514-1	5/8-24	10-821471-16
O-320-E1B	49	BL-400465	S4LSC-200	BL-600614-1	S4LSC-204	BL-600644-1	5/8-24	10-821471-2
O-320-E1C	-	BL-400483	S4LN-1227	BL-349365-3	S4LN-1209	BL-349305-1	5/8-24	10-821481-2
O-320-E1C	21	-	S4LN-1227	BL-349365-3	S4LN-1227	BL-349365-3	5/8-24	10-821481-2
O-320-E1F	-	BL-400483	S4LN-1227	BL-349365-3	S4LN-1209	BL-349305-1	5/8-24	10-821481-2
O-320-E1F	21	-	S4LN-1227	BL-349365-3	S4LN-1227	BL-349365-3	5/8-24	10-821481-2
O-320-E1F	1, 50	-	4300	-	4300	-	5/8-24	10-821401-2
O-320-E1J	3	BL-400483	S4LN-1227	BL-349365-3	S4LN-1209	BL-349305-1	5/8-24	10-821481-2
O-320-E1J	3, 21	-	S4LN-1227	BL-349365-3	S4LN-1227	BL-349365-3	5/8-24	10-821481-2
O-320-E1J	1, 50	-	4300	-	4300	-	5/8-24	10-821401-2



**Table 4. Ignition Applications for Textron Lycoming Engine Models**

Engine Model	Notes	Ignition System Kit Part No.	Left Magneto		Right Magneto		Spark Plug	Harness Part No.
			Type No.	Part No.	Type No.	Part No.		
O-320-E2A	-	BL-400440	S4LSC-21	BL-500514-1	S4LSC-204	BL-600644-1	5/8-24	10-821471-16
O-320-E2A	21	BL-400434	S4LSC-21	BL-500514-1	S4LSC-21	BL-500514-1	5/8-24	10-821471-16
O-320-E2A	1	-	4300	-	4300	-	5/8-24	10-821401-16
O-320-E2B	-	BL-400427	S4LSC-200	BL-600614-1	S4LSC-204	BL-600644-1	5/8-24	10-821471-16
O-320-E2C	-	BL-400483	S4LN-1227	BL-349365-3	S4LN-1209	BL-349305-1	5/8-24	10-821481-2
O-320-E2C	21	-	S4LN-1227	BL-349365-3	S4LN-1227	BL-349365-3	5/8-24	10-821481-2
O-320-E2C	1, 50	-	4300	-	4300	-	5/8-24	10-821401-2
O-320-E2D	3, 49	BL-400450	S4LSC-21	BL-500514-1	S4LSC-204	BL-600644-1	5/8-24	10-821471-2
O-320-E2D	3, 21, 49	-	S4LSC-21	BL-500514-1	S4LSC-21	BL-500514-1	5/8-24	10-821471-2
O-320-E2D	1, 50	-	4300	-	4300	-	5/8-24	10-821401-2
O-320-E2F	-	BL-400483	S4LN-1227	BL-349365-3	S4LN-1209	BL-349305-1	5/8-24	10-821481-2
O-320-E2F	21	-	S4LN-1227	BL-349365-3	S4LN-1227	BL-349365-3	5/8-24	10-821481-2
O-320-E2F	1,50	-	4300	-	4300	-	5/8-24	10-821401-2
O-320-E2G	3	BL-400450	S4LSC-21	BL-500514-1	S4LSC-204	BL-600644-1	5/8-24	10-821471-2
O-320-E2G	3, 21	-	S4LSC-21	BL-500514-1	S4LSC-21	BL-500514-1	5/8-24	10-821471-2
O-320-E2G	1, 50	-	4300	-	4300	-	5/8-24	10-821401-2
O-320-E2H	-	BL-400440	S4LSC-21	BL-500514-1	S4LSC-204	BL-600644-1	5/8-24	10-821471-16
O-320-E2H	21	BL-400434	S4LSC-21	BL-500514-1	S4LSC-21	BL-500514-1	5/8-24	10-821471-16
O-320-E3D	3	BL-400450	S4LSC-21	BL-500514-1	S4LSC-204	BL-600644-1	5/8-24	10-821471-2
O-320-E3D	3, 21	-	S4LSC-21	BL-500514-1	S4LSC-21	BL-500514-1	5/8-24	10-821471-2
O-320-E3D	1, 50	-	4300	-	4300	-	5/8-24	10-821401-2
O-320-E3H	49	BL-400450	S4LSC-21	BL-500514-1	S4LSC-204	BL-600644-1	5/8-24	10-821471-2
O-320-E3H	21, 49	-	S4LSC-21	BL-500514-1	S4LSC-21	BL-500514-1	5/8-24	10-821471-2
O-320-H1AD	-	-	D-2000/3000	-	DUAL HARNESS		3/4-20	10-821414-4
O-320-H2AD	-	-	D-2000/3000	-	DUAL HARNESS		3/4-20	10-821414-4
O-320-H3AD	-	-	D-2000/3000	-	DUAL HARNESS		3/4-20	10-821414-4
O-340-A1A	-	BL-400450	S4LSC-21	BL-500514-1	S4LSC-204	BL-600644-1	5/8-24	10-821471-2
O-340-A2A	49	BL-400450	S4LSC-21	BL-500514-1	S4LSC-204	BL-600644-1	5/8-24	10-821471-2
O-340-B1A	49	BL-400450	S4LSC-21	BL-500514-1	S4LSC-204	BL-600644-1	5/8-24	10-821471-2
AEIO-360-A1A	-	BL-400427	S4LSC-200	BL-600614-1	S4LSC-204	BL-600644-1	5/8-24	10-821471-16
AEIO-360-A1A	-	-	S4LSC-200	BL-600614-1	S4LSC-204	BL-600644-1	3/4-20	10-821474-16
AEIO-360-A1A	7	-	S4LSC-200	BL-600614-2	S4LSC-204	BL-600644-1	5/8-24	10-821471-16
AEIO-360-A1A	7	-	S4LSC-200	BL-600614-2	S4LSC-204	BL-600644-1	3/4-20	10-821474-16



**Table 4. Ignition Applications for Textron Lycoming Engine Models**

Engine Model	Notes	Ignition System Kit Part No.	Left Magneto		Right Magneto		Spark Plug	Harness Part No.
			Type No.	Part No.	Type No.	Part No.		
AEIO-360-A1B	-	BL-400483	S4LN-1227	BL-349365-3	S4LN-1209	BL-349305-1	5/8-24	10-821481-2
AEIO-360-A1B	-	BL-400484	S4LN-1227	BL-349365-3	S4LN-1209	BL-349305-1	3/4-20	10-821484-2
AEIO-360-A1B	21	-	S4LN-1227	BL-349365-3	S4LN-1227	BL-349365-3	5/8-24	10-821481-2
AEIO-360-A1B	21	-	S4LN-1227	BL-349365-3	S4LN-1227	BL-349365-3	3/4-20	10-821484-2
AEIO-360-A1B	7	-	S4LN-1227	BL-349365-9	S4LN-1209	BL-349305-1	5/8-24	10-821481-2
AEIO-360-A1B	7	-	S4LN-1227	BL-349365-9	S4LN-1209	BL-349305-1	3/4-20	10-821484-2
AEIO-360-A1B	7, 21	-	S4LN-1227	BL-349365-9	S4LN-1227	BL-349365-3	5/8-24	10-821481-2
AEIO-360-A1B	7, 21	-	S4LN-1227	BL-349365-9	S4LN-1227	BL-349365-3	3/4-20	10-821484-2
AEIO-360-A1B	1, 50	-	4300	-	4300	-	5/8-24	10-821401-2
AEIO-360-A1B	1	-	4300	-	4300	-	3/4-20	10-821404-2
AEIO-360-A1B6	-	BL-400483	S4LN-1227	BL-349365-3	S4LN-1209	BL-349305-1	5/8-24	10-821481-2
AEIO-360-A1B6	-	BL-400484	S4LN-1227	BL-349365-3	S4LN-1209	BL-349305-1	3/4-20	10-821484-2
AEIO-360-A1B6	21	-	S4LN-1227	BL-349365-3	S4LN-1227	BL-349365-3	5/8-24	10-821481-2
AEIO-360-A1B6	21	-	S4LN-1227	BL-349365-3	S4LN-1227	BL-349365-3	3/4-20	10-821484-2
AEIO-360-A1B6	7	-	S4LN-1227	BL-349365-9	S4LN-1209	BL-349305-1	5/8-24	10-821481-2
AEIO-360-A1B6	7	-	S4LN-1227	BL-349365-9	S4LN-1209	BL-349305-1	3/4-20	10-821484-2
AEIO-360-A1B6	7, 21	-	S4LN-1227	BL-349365-9	S4LN-1227	BL-349365-9	5/8-24	10-821481-2
AEIO-360-A1B6	7, 21	-	S4LN-1227	BL-349365-9	S4LN-1227	BL-349365-9	3/4-20	10-821484-2
AEIO-360-A1B6	1, 49	-	4300	-	4300	-	5/8-24	10-821401-2
AEIO-360-A1B6	1	-	4300	-	4300	-	3/4-20	10-821404-2
AEIO-360-A1D	7	-	S4LSC-21	BL-500514-2	S4LSC-204	BL-600644-1	5/8-24	10-821471-16
AEIO-360-A1D	7	-	S4LSC-21	BL-500514-2	S4LSC-204	BL-600644-1	3/4-20	10-821474-16
AEIO-360-A1D	7, 21	-	S4LSC-21	BL-500514-2	S4LSC-21	BL-500514-2	5/8-24	10-821471-16
AEIO-360-A1D	7, 21	-	S4LSC-21	BL-500514-2	S4LSC-21	BL-500514-2	3/4-20	10-821474-16
AEIO-360-A1D	1	-	4300	-	4300	-	5/8-24	10-821401-16
AEIO-360-A1E	7	-	S4LSC-21	BL-500514-2	S4LSC-204	BL-600644-1	5/8-24	10-821471-16
AEIO-360-A1E	7	-	S4LSC-21	BL-500514-2	S4LSC-204	BL-600644-1	3/4-20	10-821474-16
AEIO-360-A1E	7, 21	-	S4LSC-21	BL-500514-2	S4LSC-21	BL-500514-2	5/8-24	10-821471-16
AEIO-360-A1E	7, 21	-	S4LSC-21	BL-500514-2	S4LSC-21	BL-500514-2	3/4-20	10-821474-16
AEIO-360-A1E	1	-	4300	-	4300	-	5/8-24	10-821401-16
AEIO-360-A2A	7	-	S4LSC-200	BL-600614-2	S4LSC-204	BL-600644-1	5/8-24	10-821471-2
AEIO-360-A2A	7	-	S4LSC-200	BL-600614-2	S4LSC-204	BL-600644-1	3/4-20	10-821474-2
AEIO-360-A2B	7	-	S4LN-1227	BL-349365-9	S4LN-1209	BL-349305-1	5/8-24	10-821481-2
AEIO-360-A2B	7	-	S4LN-1227	BL-349365-9	S4LN-1209	BL-349305-1	3/4-20	10-821484-2
AEIO-360-A2B	7, 21	-	S4LN-1227	BL-349365-9	S4LN-1227	BL-349365-9	5/8-24	10-821481-2
AEIO-360-A2B	7, 21	-	S4LN-1227	BL-349365-9	S4LN-1227	BL-349365-9	3/4-20	10-821484-2
AEIO-360-B1B	-	BL-400427	S4LSC-200	BL-600614-1	S4LSC-204	BL-600644-1	5/8-24	10-821471-16
AEIO-360-B1B	1	-	4300	-	4300	-	5/8-24	10-821401-16



**Table 4. Ignition Applications for Textron Lycoming Engine Models**

Engine Model	Notes	Ignition System Kit Part No.	Left Magneto		Right Magneto		Spark Plug	Harness Part No.
			Type No.	Part No.	Type No.	Part No.		
AEIO-360-B1F	-	-	S4LN-1227	BL-349365-3	S4LN-1227	BL-349365-3	5/8-24	10-821481-2
AEIO-360-B1F	1, 50	-	4300	-	4300	-	5/8-24	10-821401-2
AEIO-360-B1G6	1, 50	-	4300	-	4300	-	5/8-24	10-821401-2
AEIO-360-B1H	1	-	4300	-	4300	-	5/8-24	10-821401-16
AEIO-360-B2F	1, 50	-	4300	-	4300	-	5/8-24	10-821401-2
AEIO-360-B4A	-	BL-400440	S4LSC-21	BL-500514-1	S4LSC-204	BL-600644-1	5/8-24	10-821471-16
AEIO-360-B4A	21	BL-400434	S4LSC-21	BL-500514-1	S4LSC-21	BL-500514-1	5/8-24	10-821471-16
AEIO-360-B4A	-	-	4300	-	4300	-	5/8-24	10-821401-16
AEIO-360-H1A	3, 49	-	S4LSC-21	BL-500514-1	S4LSC-204	BL-600644-1	5/8-24	10-821471-2
AEIO-360-H1A	3, 21, 49	BL-400436	S4LSC-21	BL-500514-1	S4LSC-21	BL-500514-1	5/8-24	10-821471-2
AEIO-360-H1A	1, 50	-	4300	-	4300	-	5/8-24	10-821401-2
AEIO-360-H1B	1, 50	-	4300	-	4300	-	5/8-24	10-821401-2
AIO-360-A1A	7	-	S4LN-1208	BL-349285-7	S4LN-1209	BL-349305-1	5/8-24	10-821481-2
AIO-360-A1A	1	-	4300	-	4300	-	5/8-24	10-821401-2
AIO-360-A1B	-	BL-400483	S4LN-1227	BL-349365-3	S4LN-1208	BL-349305-1	5/8-24	10-821481-2
AIO-360-A1B	21	-	S4LN-1227	BL-349365-3	S4LN-1227	BL-349365-3	5/8-24	10-821481-2
AIO-360-A1B	7, 43	-	S4LN-1227	BL-349365-9	S4LN-1209	BL-349305-1	5/8-24	10-821481-2
AIO-360-A1B	7, 21	-	S4LN-1227	BL-349365-9	S4LN-1227	BL-349365-9	5/8-24	10-821481-2
AIO-360-A1B	1, 50	-	4300	-	4300	-	5/8-24	10-821401-2
AIO-360-A2A	-	BL-400485	S4LN-1208	BL-349285-1	S4LN-1209	BL-349305-1	5/8-24	10-821481-2
AIO-360-A2B	-	BL-400483	S4LN-1227	BL-349365-3	S4LN-1209	BL-349305-1	5/8-24	10-821481-2
AIO-360-A2B	21	-	S4LN-1227	BL-349365-3	S4LN-1227	BL-349365-3	5/8-24	10-821481-2
AIO-360-B1B	-	BL-400483	S4LN-1227	BL-349365-3	S4LN-1209	BL-349305-1	5/8-24	10-821481-2
AIO-360-B1B	21	-	S4LN-1227	BL-349365-3	S4LN-1227	BL-349365-3	5/8-24	10-821481-2
AIO-360-B1B	7	-	S4LN-1227	BL-349365-9	S4LN-1209	BL-349305-1	5/8-24	10-821481-2
AIO-360-B1B	7, 21	-	S4LN-1227	BL-349365-9	S4LN-1227	BL-349365-9	5/8-24	10-821481-2
AIO-360-B1B	1, 50	-	4300	-	4300	-	5/8-24	10-821401-2
HIO-360-A1A	49	-	S4LSC-200	BL-600614-1	S4LSC-200	BL-600614-1	5/8-24	10-821471-2
HIO-360-B1A	49	-	S4LSC-200	BL-600614-1	S4LSC-200	BL-600614-1	5/8-24	10-821471-2
HIO-360-B1B	49	BL-400465	S4LSC-200	BL-600614-1	S4LSC-204	BL-600644-1	5/8-24	10-821471-2
HIO-360-C1A	49	BL-400465	S4LSC-200	BL-600614-1	S4LSC-204	BL-600644-1	5/8-24	10-821471-2
HIO-360-C1A	7, 49	-	S4LSC-200	BL-600614-2	S4LSC-204	BL-600644-1	5/8-24	10-821471-2
HIO-360-C1A	7, 49	-	S4LSC-200	BL-600614-2	S4LSC-200	BL-600614-2	5/8-24	10-821471-2



**Table 4. Ignition Applications for Textron Lycoming Engine Models**

Engine Model	Notes	Ignition System Kit Part No.	Left Magneto		Right Magneto		Spark Plug	Harness Part No.
			Type No.	Part No.	Type No.	Part No.		
HIO-360-C1B	-	-	S4LN-1208	BL-349285-1	S4LN-1209	BL-349305-1	5/8-24	10-821481-16
HIO-360-C1B	7	-	S4LN-1208	BL-349285-7	S4LN-1209	BL-349305-1	5/8-24	10-821481-16
HIO-360-D1A	13	BL-400464	S4LN-1208	BL-349285-7	S4LN-1208	BL-349285-7	5/8-24	10-822482-2
HIO-360-D1A	13	-	S4LN-1208	BL-349285-7	S4LN-1208	BL-349285-7	5/8-24	10-821481-2
HIO-360-D1A	1	-	4300	-	4300	-	5/8-24	10-821401-2
HIO-360-E1AD	-	-	D-2000/3000	-	DUAL HARNESS		3/4-20	10-821415-12
HIO-360-E1BD	-	-	D-2000/3000	-	DUAL HARNESS		3/4-20	10-821425-12
HIO-360-F1AD	-	-	D-2000/3000	-	DUAL HARNESS		3/4-20	10-821425-12
HIO-360-G1A	1, 50	-	4300	-	4300	-	5/8-24	10-821401-2
HO-360-A1A	49	BL-400465	S4LSC-200	BL-600614-1	S4LSC-204	BL-600644-1	5/8-24	10-821471-2
HO-360-B1A	49	BL-400465	S4LSC-200	BL-600614-1	S4LSC-204	BL-600644-1	5/8-24	10-821471-2
HO-360-B1B	49	-	S4LSC-200	BL-600614-1	S4LSC-200	BL-600614-1	5/8-24	10-821471-2
HO-360-C1A	1, 50	-	4300	-	4300	-	5/8-24	10-821401-2
IO-360-A1A	-	BL-400427	S4LSC-200	BL-600614-1	S4LSC-204	BL-600644-1	5/8-24	10-821471-16
IO-360-A1A	7	-	S4LSC-200	BL-600614-2	S4LSC-204	BL-600644-1	5/8-24	10-821471-16
IO-360-A1A	-	-	S4LSC-200	BL-600614-1	S4LSC-204	BL-600644-1	3/4-20	10-821474-16
IO-360-A1A	7	-	S4LSC-200	BL-600614-2	S4LSC-204	BL-600644-1	3/4-20	10-821474-16
IO-360-A1A	1	-	4300	-	4300	-	5/8-24	10-821401-16
IO-360-A1B	-	-	S4LN-1227	BL-349365-3	S4LN-1209	BL-349305-1	5/8-24	10-821481-16
IO-360-A1B	21	-	S4LN-1227	BL-349365-3	S4LN-1227	BL-349365-3	5/8-24	10-821481-16
IO-360-A1B	7	-	S4LN-1227	BL-349365-9	S4LN-1209	BL-349305-1	5/8-24	10-821481-16
IO-360-A1B	7, 21	-	S4LN-1227	BL-349365-9	S4LN-1227	BL-349365-9	5/8-24	10-821481-16
IO-360-A1B	1	-	4300	-	4300	-	5/8-24	10-821401-16
IO-360-A1B6	-	BL-400483	S4LN-1227	BL-349365-3	S4LN-1209	BL-349305-1	5/8-24	10-821481-2
IO-360-A1B6	-	BL-400484	S4LN-1227	BL-349365-3	S4LN-1209	BL-349305-1	3/4-20	10-821484-2
IO-360-A1B6	21	-	S4LN-1227	BL-349365-3	S4LN-1227	BL-349365-3	5/8-24	10-821481-2
IO-360-A1B6	21	-	S4LN-1227	BL-349365-3	S4LN-1227	BL-349365-3	3/4-20	10-821481-2
IO-360-A1B6	20	BL-400448	S4LN-1227	BL-349365-3	S4LN-1209	BL-349305-1	5/8-24	10-821481-20
IO-360-A1B6	7	-	S4LN-1227	BL-349365-9	S4LN-1209	BL-349305-1	5/8-24	10-821481-2
IO-360-A1B6	7	-	S4LN-1227	BL-349365-9	S4LN-1209	BL-349305-1	3/4-20	10-821484-2
IO-360-A1B6	7, 21	-	S4LN-1227	BL-349365-9	S4LN-1227	BL-349365-9	5/8-24	10-821481-2
IO-360-A1B6	7, 21	-	S4LN-1227	BL-349365-9	S4LN-1227	BL-349365-9	3/4-20	10-821484-2
IO-360-A1B6	1, 50	-	4300	-	4300	-	5/8-24	10-821401-2
IO-360-A1B6	1	-	4300	-	4300	-	3/4-20	10-821404-2



**Table 4. Ignition Applications for Textron Lycoming Engine Models**

Engine Model	Notes	Ignition System Kit Part No.	Left Magneto		Right Magneto		Spark Plug	Harness Part No.
			Type No.	Part No.	Type No.	Part No.		
IO-360-A1B6D	44	-	D-2000/3000	-	DUAL HARNESS		3/4-20	10-821414-6
IO-360-A1B6D	45	-	D-2000/3000	-	DUAL HARNESS		3/4-20	10-821414-8
IO-360-A1B6D	46	-	D-2000/3000	-	DUAL HARNESS		3/4-20	10-821414-18
IO-360-A1C	7	-	S4LN-1208	BL-349285-7	S4LN-1209	BL-349305-1	5/8-24	10-821481-2
IO-360-A1C	1	-	4300	-	4300	-	5/8-24	10-821401-2
IO-360-A1D	7	-	S4LSC-21	BL-500514-2	S4LSC-204	BL-600644-1	5/8-24	10-821471-16
IO-360-A1D	7	-	S4LSC-21	BL-500514-2	S4LSC-204	BL-600644-1	3/4-20	10-821474-16
IO-360-A1D	7, 21	-	S4LSC-21	BL-500514-2	S4LSC-21	BL-500514-2	5/8-24	10-821471-16
IO-360-A1D	7, 21	-	S4LSC-21	BL-500514-2	S4LSC-21	BL-500514-2	3/4-20	10-821474-16
IO-360-A1D	1	-	4300	-	4300	-	5/8-24	10-821401-16
IO-360-A1D6	-	-	S4LN-1227	BL-349365-3	S4LN-1209	BL-349305-1	5/8-24	10-821481-2
IO-360-A1D6	-	-	S4LN-1227	BL-349365-3	S4LN-1209	BL-349305-1	3/4-20	10-821484-2
IO-360-A1D6	21	-	S4LN-1227	BL-349365-3	S4LN-1227	BL-349365-3	5/8-24	10-821481-2
IO-360-A1D6	21	-	S4LN-1227	BL-349365-3	S4LN-1227	BL-349365-3	3/4-20	10-821484-2
IO-360-A1D6	7	-	S4LN-1227	BL-349365-9	S4LN-1209	BL-349305-1	5/8-24	10-821481-2
IO-360-A1D6	7	-	S4LN-1227	BL-349365-9	S4LN-1209	BL-349305-1	3/4-20	10-821484-2
IO-360-A1D6	7, 21	-	S4LN-1227	BL-349365-9	S4LN-1227	BL-349365-9	5/8-24	10-821481-2
IO-360-A1D6	7, 21	-	S4LN-1227	BL-349365-9	S4LN-1227	BL-349365-9	3/4-20	10-821484-2
IO-360-A1D6	1, 50	-	4300	-	4300	-	5/8-24	10-821401-2
IO-360-A1D6	1	-	4300	-	4300	-	3/4-20	10-821404-2
IO-360-A1D6D	-	-	D-2000/3000	-	DUAL HARNESS		3/4-20	10-821414-6
IO-360-A2A	7	-	S4LSC-200	BL-600614-2	S4LSC-204	BL-600644-1	5/8-24	10-821471-16
IO-360-A2A	7	-	S4LSC-200	BL-600614-2	S4LSC-204	BL-600644-1	3/4-20	10-821474-16
IO-360-A2A	2, 7	-	S4LSC-200	BL-600614-2	S4LSC-204T	BL-600644-201	5/8-24	10-821471-16
IO-360-A2A	2, 7	-	S4LSC-200	BL-600614-2	S4LSC-204T	BL-600644-201	3/4-20	10-821474-16
IO-360-A2B	-	BL-400483	S4LN-1227	BL-349365-3	S4LN-1209	BL-349305-1	5/8-24	10-821481-2
IO-360-A2B	-	BL-400484	S4LN-1227	BL-349365-3	S4LN-1209	BL-349305-1	3/4-20	10-821484-2
IO-360-A2B	21	-	S4LN-1227	BL-349365-3	S4LN-1227	BL-349365-3	5/8-24	10-821481-2
IO-360-A2B	21	-	S4LN-1227	BL-349365-3	S4LN-1227	BL-349365-3	3/4-20	10-821484-2
IO-360-A2B	7	BL-400471	S4LN-1227	BL-349365-9	S4LN-1209	BL-349305-1	5/8-24	10-821481-2
IO-360-A2B	7	-	S4LN-1227	BL-349365-9	S4LN-1209	BL-349305-1	3/4-20	10-821484-2
IO-360-A2B	7, 21	-	S4LN-1227	BL-349365-9	S4LN-1227	BL-349365-9	5/8-24	10-821481-2
IO-360-A2B	7, 21	-	S4LN-1227	BL-349365-9	S4LN-1227	BL-349365-9	3/4-20	10-821484-2
IO-360-A2B	1, 50	-	4300	-	4300	-	5/8-24	10-821401-2
IO-360-A2B	1	-	4300	-	4300	-	3/4-20	10-821404-2
IO-360-A2C	7	-	S4LN-1208	BL-349285-7	S4LN-1209	BL-349305-1	5/8-24	10-821481-2
IO-360-A2C	7	-	S4LN-1208	BL-349285-7	S4LN-1209	BL-349305-1	3/4-20	10-821484-2





**Table 4. Ignition Applications for Textron Lycoming Engine Models**

Engine Model	Notes	Ignition System Kit Part No.	Left Magneto		Right Magneto		Spark Plug	Harness Part No.
			Type No.	Part No.	Type No.	Part No.		
IO-360-A3B6	1, 50	-	4300	-	4300	-	5/8-24	10-821401-2
IO-360-A3B6D	-	-	D-2000/3000	-	DUAL HARNESS		3/4-20	10-821414-6
IO-360-A3B6D	-	-	D-2000/3000	-	DUAL HARNESS		3/4-20	10-821414-8
IO-360-B1A	49	BL-400465	S4LSC-200	BL-600614-1	S4LSC-204	BL-600644-1	5/8-24	10-821471-2
IO-360-B1A	-	BL-400482	S4LSC-200	BL-600614-1	S4LSC-204	BL-600644-1	3/4-20	10-821474-2
IO-360-B1B	-	BL-400427	S4LSC-200	BL-600614-1	S4LSC-204	BL-600644-1	5/8-24	10-821471-16
IO-360-B1B	-	-	S4LSC-200	BL-600614-1	S4LSC-204	BL-600644-1	3/4-20	10-821474-16
IO-360-B1B	1	-	4300	-	4300	-	5/8-24	10-821401-16
IO-360-B1C	49	BL-400465	S4LSC-200	BL-600614-1	S4LSC-204	BL-600644-1	5/8-24	10-821471-2
IO-360-B1C	-	BL-400482	S4LSC-200	BL-600614-1	S4LSC-204	BL-600644-1	3/4-20	10-821474-2
IO-360-B1D	3	BL-400427	S4LSC-200	BL-600614-1	S4LSC-204	BL-600644-1	5/8-24	10-821471-16
IO-360-B1D	2, 3	BL-400477	S4LSC-200	BL-600614-1	S4LSC-204T	BL-600644-201	5/8-24	10-821471-16
IO-360-B1D	1	-	4300	-	4300	-	5/8-24	10-821401-16
IO-360-B1E	-	BL-400483	S4LN-1227	BL-349365-3	S4LN-1209	BL-349305-1	5/8-24	10-821481-2
IO-360-B1E	-	BL-400484	S4LN-1227	BL-349365-3	S4LN-1209	BL-349305-1	3/4-20	10-821484-2
IO-360-B1E	21	-	S4LN-1227	BL-349365-3	S4LN-1227	BL-349365-3	5/8-24	10-821481-2
IO-360-B1E	21	-	S4LN-1227	BL-349365-3	S4LN-1227	BL-349365-3	3/4-20	10-821484-2
IO-360-B1E	1, 50	-	4300	-	4300	-	5/8-24	10-821401-2
IO-360-B1E	1	-	4300	-	4300	-	3/4-20	10-821404-2
IO-360-B1F	-	-	S4LN-1227	BL-349365-3	S4LN-1227	BL-349365-3	5/8-24	10-821481-2
IO-360-B1F	-	-	S4LN-1227	BL-349365-3	S4LN-1227	BL-349365-3	3/4-20	10-821484-2
IO-360-B1F	1, 50	-	4300	-	4300	-	5/8-24	10-821401-2
IO-360-B1F	1	-	4300	-	4300	-	3/4-20	10-821404-2
IO-360-B1G6	1, 50	-	4300	-	4300	-	5/8-24	10-821401-16
IO-360-B2E	-	-	S4LN-1227	BL-349365-3	S4LN1204	BL-349305-1	5/8-24	10-821481-2
IO-360-B2E	-	-	S4LN-1227	BL-349365-3	S4LN1204	BL-349305-1	3/4-20	10-821484-2
IO-360-B2E	21	-	S4LN-1227	BL-349365-3	S4LN-1227	BL-349365-3	5/8-24	10-821481-2
IO-360-B2E	21	-	S4LN-1227	BL-349365-3	S4LN-1227	BL-349365-3	3/4-20	10-821484-2
IO-360-B2E	1, 50	-	4300	-	4300	-	5/8-24	10-821401-2
IO-360-B2E	1	-	4300	-	4300	-	3/4-20	10-821404-2
IO-360-B2F	-	-	S4LN-1227	BL-349365-3	S4LN-1227	BL-349365-3	5/8-24	10-821481-2
IO-360-B2F	-	-	S4LN-1227	BL-349365-3	S4LN-1227	BL-349365-3	3/4-20	10-821484-2
IO-360-B2F6	-	-	S4LN-1227	BL-349365-3	S4LN-1227	BL-349365-3	5/8-24	10-821481-2
IO-360-B2F6	-	-	S4LN-1227	BL-349365-3	S4LN-1227	BL-349365-3	3/4-20	10-821484-2



**Table 4. Ignition Applications for Textron Lycoming Engine Models**

Engine Model	Notes	Ignition System Kit Part No.	Left Magneto		Right Magneto		Spark Plug	Harness Part No.
			Type No.	Part No.	Type No.	Part No.		
IO-360-B4A	5, 49	BL-400450	S4LSC-21	BL-500514-1	S4LSC-204	BL-600644-1	5/8-24	10-821471-2
IO-360-B4A	5	BL-400454	S4LSC-21	BL-500514-1	S4LSC-204	BL-600644-1	3/4-20	10-821474-2
IO-360-B4A	1, 5, 50	-	4300	-	4300	-	5/8-24	10-821401-2
IO-360-B4A	1, 5	-	4300	-	4300	-	3/4-20	10-821404-2
IO-360-C1A	7	-	S4LSC-200	BL-600614-2	S4LSC-204	BL-600644-1	5/8-24	10-821471-16
IO-360-C1A	7	-	S4LSC-200	BL-600614-2	S4LSC-204	BL-600644-1	3/4-20	10-821474-16
IO-360-C1A	1	-	4300	-	4300	-	5/8-24	10-821401-16
IO-360-C1B	7	-	S4LN-1208	BL-349285-7	S4LN-1209	BL-349305-1	5/8-24	10-821481-2
IO-360-C1B	7	-	S4LN-1208	BL-349285-7	S4LN-1209	BL-349305-1	3/4-20	10-821484-2
IO-360-C1B	1, 50	-	4300	-	4300	-	5/8-24	10-821401-2
IO-360-C1B	1	-	4300	-	4300	-	3/4-20	10-821404-2
IO-360-C1C	17	BL-400449	S4LN-1227	BL-349365-3	S4LN-1209	BL-349305-1	5/8-24	10-821481-26
IO-360-C1C	21	-	S4LN-1227	BL-349365-3	S4LN-1227	BL-349365-3	5/8-24	10-821481-26
IO-360-C1C	7	BL-400447	S4LN-1227	BL-349365-9	S4LN-1209	BL-349305-1	5/8-24	10-821481-26
IO-360-C1C	7, 21	-	S4LN-1227	BL-349365-9	S4LN-1227	BL-349365-9	5/8-24	10-821481-26
IO-360-C1C	1	-	4300	-	4300	-	5/8-24	10-821401-26
IO-360-C1C6	-	BL-400447	S4LN-1227	BL-349365-9	S4LN-1209	BL-349305-1	5/8-24	10-821481-26
IO-360-C1C6	21	-	S4LN-1227	BL-349365-9	S4LN-1227	BL-349365-9	5/8-24	10-821481-26
IO-360-C1C6	1	-	4300	-	4300	-	5/8-24	10-821401-26
IO-360-C1D6	-	BL-400483	S4LN-1227	BL-349365-3	S4LN-1209	BL-349305-1	5/8-24	10-821481-2
IO-360-C1D6	-	BL-400484	S4LN-1227	BL-349365-3	S4LN-1209	BL-349305-1	3/4-20	10-821484-2
IO-360-C1D6	21	-	S4LN-1227	BL-349365-3	S4LN-1227	BL-349365-3	5/8-24	10-821481-2
IO-360-C1D6	21	-	S4LN-1227	BL-349365-3	S4LN-1227	BL-349365-3	3/4-20	10-821484-2
IO-360-C1D6	7	-	S4LN-1227	BL-349365-9	S4LN-1209	BL-349305-1	5/8-24	10-821481-2
IO-360-C1D6	7	-	S4LN-1227	BL-349365-9	S4LN-1209	BL-349305-1	3/4-20	10-821484-2
IO-360-C1D6	7, 21	-	S4LN-1227	BL-349365-9	S4LN-1227	BL-349365-9	5/8-24	10-821481-2
IO-360-C1D6	7, 21	-	S4LN-1227	BL-349365-9	S4LN-1227	BL-349365-9	3/4-20	10-821484-2
IO-360-C1D6	1, 50	-	4300	-	4300	-	5/8-24	10-821401-2
IO-360-C1D6	1	-	4300	-	4300	-	3/4-20	10-821401-2
IO-360-C1E6	-	BL-400449	S4LN-1227	BL-349365-3	S4LN-1209	BL-349305-1	5/8-24	10-821481-26
IO-360-C1E6	21	-	S4LN-1227	BL-349365-3	S4LN-1227	BL-349365-3	5/8-24	10-821481-26
IO-360-C1E6	7	BL-400447	S4LN-1227	BL-349365-9	S4LN-1209	BL-349305-1	5/8-24	10-821481-26
IO-360-C1E6	7, 21	-	S4LN-1227	BL-349365-9	S4LN-1227	BL-349365-9	5/8-24	10-821481-26
IO-360-C1E6	1	-	4300	-	4300	-	5/8-24	10-821401-26
IO-360-C1E6D	-	-	D-2000/3000	-	DUAL HARNESS		3/4-20	10-821414-6



**Table 4. Ignition Applications for Textron Lycoming Engine Models**

Engine Model	Notes	Ignition System Kit Part No.	Left Magneto		Right Magneto		Spark Plug	Harness Part No.
			Type No.	Part No.	Type No.	Part No.		
IO-360-C1F	7	-	S4LN-1227	BL-349365-9	S4LN-1209	BL-349305-1	5/8-24	10-821481-2
IO-360-C1F	7	-	S4LN-1227	BL-349365-9	S4LN-1209	BL-349305-1	3/4-20	10-821484-2
IO-360-C1F	7, 21	-	S4LN-1227	BL-349365-9	S4LN-1227	BL-349365-9	5/8-24	10-821481-2
IO-360-C1F	7, 21	-	S4LN-1227	BL-349365-9	S4LN-1227	BL-349365-9	3/4-20	10-821484-2
IO-360-C1F	1, 50	-	4300	-	4300	-	5/8-24	10-821401-2
IO-360-C1F	1	-	4300	-	4300	-	3/4-20	10-821404-2
IO-360-C1G6	1, 50	-	4300	-	4300	-	5/8-24	10-821401-2
IO-360-F1A	-	-	S4LN-1227	BL-349365-3	S4LN-1209	BL-349305-1	5/8-24	10-821481-2
IO-360-F1A	-	-	S4LN-1227	BL-349365-3	S4LN-1209	BL-349305-1	3/4-20	10-821484-2
IO-360-F1A	21	-	S4LN-1227	BL-349365-3	S4LN-1227	BL-349365-3	5/8-24	10-821481-2
IO-360-F1A	21	-	S4LN-1227	BL-349365-3	S4LN-1227	BL-349365-3	3/4-20	10-821484-2
IO-360-F1A	1, 50	-	4300	-	4300	-	5/8-24	10-821401-2
IO-360-F1A	1	-	4300	-	4300	-	3/4-20	10-821404-2
IO-360-J1A6D	-	-	D-2000/3000	-	DUAL HARNESS		3/4-20	10-821414-6
IO-360-K2A	7, 49	BL-400453	S4LSC-21	BL-500514-2	S4LSC-204	BL-600644-1	5/8-24	10-821471-2
IO-360-K2A	7	-	S4LSC-21	BL-500514-2	S4LSC-204	BL-600644-1	3/4-20	10-821474-2
IO-360-K2A	7, 21, 49	-	S4LSC-21	BL-500514-2	S4LSC-21	BL-500514-2	5/8-24	10-821471-2
IO-360-K2A	7, 21	-	S4LSC-21	BL-500514-2	S4LSC-21	BL-500514-2	3/4-20	10-821474-2
IO-360-L2A	1, 50	-	4300	-	4300	-	5/8-24	10-821401-2
IO-360-M1A	1, 50	-	4300	-	4300	-	5/8-24	10-821401-2
IO-360-M1B	1, 50	-	4300	-	4300	-	5/8-24	10-821401-2
IYO-360-A1A	49	-	S4LSC-200	BL-600614-1	S4LN-1227	BL-349365-6	5/8-24	10-821471-2
IYO-360-A1A	-	BL-400482	S4LSC-200	BL-600614-1	S4LSC-204	BL-600644-1	3/4-20	10-821474-2
LIO-360-C1E6	-	-	S4RN-1227	BL-349365-6	S4RN-1209	BL-349305-3	5/8-24	10-821481-26
LIO-360-C1E6	21	-	S4RN-1227	BL-349365-6	S4RN-1227	BL-349365-6	5/8-24	10-821481-26
LIO-360-C1E6	7	-	S4RN-1227	BL-349365-10	S4RN-1209	BL-349305-3	5/8-24	10-821481-26
LIO-360-C1E6	7	-	S4RN-1227	BL-349365-10	S4RN-1227	BL-349365-10	5/8-24	10-821481-26
LIO-360-C1E6	1	-	4300	-	4300	-	5/8-24	10-821401-26
LO-360-A1G6D	-	-	D-2000/3000	-	DUAL HARNESS		3/4-20	10-821414-6
LO-360-A1G6D	2	-	D-2000/3000	-	DUAL HARNESS		3/4-20	10-821444-6
LO-360-A1H6	1, 50	-	4300	-	4300	-	5/8-24	10-821401-2
LO-360-E1A6D	-	-	D-2000/3000	-	DUAL HARNESS		3/4-20	10-821414-4
LTO-360-E1A6D	-	-	D-2000/3000	-	DUAL HARNESS		3/4-20	10-821414-14



**Table 4. Ignition Applications for Textron Lycoming Engine Models**

Engine Model	Notes	Ignition System Kit Part No.	Left Magneto		Right Magneto		Spark Plug	Harness Part No.
			Type No.	Part No.	Type No.	Part No.		
O-360-A1A	-	BL-400450	S4LSC-21	BL-500514-1	S4LSC-204	BL-600644-1	5/8-24	10-821471-2
O-360-A1A	-	BL-400454	S4LSC-21	BL-500514-1	S4LSC-204	BL-600644-1	3/4-20	10-821474-2
O-360-A1A	21	-	S4LSC-21	BL-500514-1	S4LSC-21	BL-500514-1	5/8-24	10-821471-2
O-360-A1A	21	BL-400428	S4LSC-21	BL-500514-1	S4LSC-21	BL-500514-1	3/4-20	10-821474-2
O-360-A1A	1, 49	-	4300	-	4300	-	5/8-24	10-821401-2
O-360-A1A	1	-	4300	-	4300	-	3/4-20	10-821404-2
O-360-A1AD	-	-	D-2000/3000	-	DUAL HARNESS		3/4-20	10-821414-6
O-360-A1C	49	BL-400465	S4LSC-200	BL-600614-1	S4LSC-204	BL-600644-1	5/8-24	10-821471-2
O-360-A1C	-	BL-400482	S4LSC-200	BL-600614-1	S4LSC-204	BL-600644-1	3/4-20	10-821474-2
O-360-A1D	49	BL-400465	S4LSC-200	BL-600614-1	S4LSC-204	BL-600644-1	5/8-24	10-821471-2
O-360-A1D	-	BL-400482	S4LSC-200	BL-600614-1	S4LSC-204	BL-600644-1	3/4-20	10-821474-2
O-360-A1D	1, 49	-	4300	-	4300	-	5/8-24	10-821401-2
O-360-A1D	1	-	4300	-	4300	-	3/4-20	10-821404-2
O-360-A1F	-	BL-400483	S4LN-1227	BL-349365-3	S4LN-1209	BL-349305-1	5/8-24	10-821481-2
O-360-A1F	-	BL-400484	S4LN-1227	BL-349365-3	S4LN-1209	BL-349305-1	3/4-20	10-821484-2
O-360-A1F	21	-	S4LN-1227	BL-349365-3	S4LN-1227	BL-349365-3	5/8-24	10-821481-2
O-360-A1F	21	-	S4LN-1227	BL-349365-3	S4LN-1227	BL-349365-3	3/4-20	10-821484-2
O-360-A1F6	-	BL-400483	S4LN-1227	BL-349365-3	S4LN-1209	BL-349305-1	5/8-24	10-821481-2
O-360-A1F6	-	BL-400484	S4LN-1227	BL-349365-3	S4LN-1209	BL-349305-1	3/4-20	10-821484-2
O-360-A1F6	21	-	S4LN-1227	BL-349365-3	S4LN-1227	BL-349365-3	5/8-24	10-821481-2
O-360-A1F6	21	-	S4LN-1227	BL-349365-3	S4LN-1227	BL-349365-3	3/4-20	10-821484-2
O-360-A1F6	1, 50	-	4300	-	4300	-	5/8-24	10-821401-2
O-360-A1F6	1	-	4300	-	4300	-	3/4-20	10-821404-2
O-360-A1F6D	47	-	D-2000/3000	-	DUAL HARNESS		3/4-20	10-821414-6
O-360-A1F6D	48	-	D-2000/3000	-	DUAL HARNESS		3/4-20	10-821414-8
O-360-A1G	-	BL-400483	S4LN-1227	BL-349365-3	S4LN-1209	BL-349305-1	5/8-24	10-821481-2
O-360-A1G	-	BL-400484	S4LN-1227	BL-349365-3	S4LN-1209	BL-349305-1	3/4-20	10-821484-2
O-360-A1G	21	-	S4LN-1227	BL-349365-3	S4LN-1227	BL-349365-3	5/8-24	10-821481-2
O-360-A1G	21	-	S4LN-1227	BL-349365-3	S4LN-1227	BL-349365-3	3/4-20	10-821484-2
O-360-A1G6	-	BL-400483	S4LN-1227	BL-349365-3	S4LN-1209	BL-349305-1	5/8-24	10-821481-2
O-360-A1G6	-	BL-400484	S4LN-1227	BL-349365-3	S4LN-1209	BL-349305-1	3/4-20	10-821484-2
O-360-A1G6	21	-	S4LN-1227	BL-349365-3	S4LN-1227	BL-349365-3	5/8-24	10-821481-2
O-360-A1G6	21	-	S4LN-1227	BL-349365-3	S4LN-1227	BL-349365-3	3/4-20	10-821484-2
O-360-A1G6	1, 50	-	4300	-	4300	-	5/8-24	10-821401-2
O-360-A1G6	1	-	4300	-	4300	-	3/4-20	10-821404-2



**Table 4. Ignition Applications for Textron Lycoming Engine Models**

Engine Model	Notes	Ignition System Kit Part No.	Left Magneto		Right Magneto		Spark Plug	Harness Part No.
			Type No.	Part No.	Type No.	Part No.		
O-360-A1G6D	-	-	D-2000/3000	-	DUAL HARNESS		3/4-20	10-821414-6
O-360-A1G6D	2	-	D-2000/3000	-	DUAL HARNESS		3/4-20	10-821444-6
O-360-A1H	-	BL-400440	S4LSC-21	BL-500514-1	S4LSC-204	BL-600644-1	5/8-24	10-821471-16
O-360-A1H	-	-	S4LSC-21	BL-500514-1	S4LSC-204	BL-600644-1	3/4-20	10-821474-16
O-360-A1H	21	BL-400434	S4LSC-21	BL-500514-1	S4LSC-21	BL-500514-1	5/8-24	10-821471-16
O-360-A1H	21	-	S4LSC-21	BL-500514-1	S4LSC-21	BL-500514-1	3/4-20	10-821474-16
O-360-A1H	1	-	4300	-	4300	-	5/8-24	10-821401-16
O-360-A1H6	1, 50	-	4300	-	4300	-	5/8-24	10-821401-2
O-360-A1LD	-	-	D-2000/3000	-	DUAL HARNESS		3/4-20	10-821414-6
O-360-A1LD	-	-	D-2000/3000	-	DUAL HARNESS		3/4-20	10-821414-8
O-360-A1P	1	-	4300	-	4300	-	5/8-24	10-821401-16
O-360-A2A	-	BL-400440	S4LSC-21	BL-500514-1	S4LSC-204	BL-600644-1	5/8-24	10-821471-16
O-360-A2A	-	-	S4LSC-21	BL-500514-1	S4LSC-204	BL-600644-1	3/4-20	10-821474-16
O-360-A2A	21	BL-400434	S4LSC-21	BL-500514-1	S4LSC-21	BL-500514-1	5/8-24	10-821471-16
O-360-A2A	21	-	S4LSC-21	BL-500514-1	S4LSC-21	BL-500514-1	3/4-20	10-821474-16
O-360-A2A	1	-	4300	-	4300	-	5/8-24	10-821401-16
O-360-A2D	-	BL-400427	S4LSC-200	BL-600614-1	S4LSC-204	BL-600644-1	5/8-24	10-821471-16
O-360-A2D	-	-	S4LSC-200	BL-600614-1	S4LSC-204	BL-600644-1	3/4-20	10-821474-16
O-360-A2E	49	BL-400465	S4LSC-200	BL-600614-1	S4LSC-204	BL-600644-1	5/8-24	10-821471-2
O-360-A2E	-	BL-400482	S4LSC-200	BL-600614-1	S4LSC-204	BL-600644-1	3/4-20	10-821474-2
O-360-A2F	1, 50	-	4300	-	4300	-	5/8-24	10-821401-2
O-360-A2F	1	-	4300	-	4300	-	3/4-20	10-821404-2
O-360-A2G	-	BL-400483	S4LN-1227	BL-349365-3	S4LN-1209	BL-349305-1	5/8-24	10-821481-2
O-360-A2G	-	BL-400484	S4LN-1227	BL-349365-3	S4LN-1209	BL-349305-1	3/4-20	10-821484-2
O-360-A2G	21	BL-400386	S4LN-1227	BL-349365-3	S4LN-1227	BL-349365-3	5/8-24	10-821481-2
O-360-A2G	21	-	S4LN-1227	BL-349365-3	S4LN-1227	BL-349365-3	3/4-20	10-821484-2
O-360-A2G	1, 50	-	4300	-	4300	-	5/8-24	10-821401-2
O-360-A2G	1	-	4300	-	4300	-	3/4-20	10-821404-2
O-360-A2H	-	BL-400450	S4LSC-21	BL-500514-1	S4LSC-204	BL-600644-1	5/8-24	10-821471-2
O-360-A2H	-	BL-400454	S4LSC-21	BL-500514-1	S4LSC-204	BL-600644-1	3/4-20	10-821474-2
O-360-A2H	21	-	S4LSC-21	BL-500514-1	S4LSC-21	BL-500514-1	5/8-24	10-821471-2
O-360-A2H	21	BL-400428	S4LSC-21	BL-500514-1	S4LSC-21	BL-500514-1	3/4-20	10-821474-2
O-360-A3A	5	BL-400440	S4LSC-21	BL-500514-1	S4LSC-204	BL-600644-1	5/8-24	10-821471-16
O-360-A3A	5	-	S4LSC-21	BL-500514-1	S4LSC-204	BL-600644-1	3/4-20	10-821474-16
O-360-A3A	1, 5	-	4300	-	4300	-	5/8-24	10-821401-16



**Table 4. Ignition Applications for Textron Lycoming Engine Models**

Engine Model	Notes	Ignition System Kit Part No.	Left Magneto		Right Magneto		Spark Plug	Harness Part No.
			Type No.	Part No.	Type No.	Part No.		
O-360-A3AD	-	-	D-2000/3000	-	DUAL HARNESS		3/4-20	10-821414-6
O-360-A3D	49	BL-400465	S4LSC-200	BL-600614-1	S4LSC-204	BL-600644-1	5/8-24	10-821471-2
O-360-A3D	-	BL-400482	S4LSC-200	BL-600614-1	S4LSC-204	BL-600644-1	3/4-20	10-821474-2
O-360-A4A	5	BL-400440	S4LSC-21	BL-500514-1	S4LSC-204	BL-600644-1	5/8-24	10-821471-16
O-360-A4A	5	-	S4LSC-21	BL-500514-1	S4LSC-204	BL-600644-1	3/4-20	10-821474-16
O-360-A4A	1, 5	-	4300	-	4300	-	5/8-24	10-821401-16
O-360-A4AD	-	-	D-2000/3000	-	DUAL HARNESS		3/4-20	10-821414-6
O-360-A4D	49	BL-400450	S4LSC-21	BL-500514-1	S4LSC-204	BL-600644-1	5/8-24	10-821471-2
O-360-A4D	-	BL-400454	S4LSC-21	BL-500514-1	S4LSC-204	BL-600644-1	3/4-20	10-821474-2
O-360-A4G	-	BL-400483	S4LN-1227	BL-349365-3	S4LN-1209	BL-349305-1	5/8-24	10-821481-2
O-360-A4G	-	BL-400484	S4LN-1227	BL-349365-3	S4LN-1209	BL-349305-1	3/4-20	10-821484-2
O-360-A4G	1, 50	-	4300	-	4300	-	5/8-24	10-821401-2
O-360-A4G	1	-	4300	-	4300	-	3/4-20	10-821404-2
O-360-A4J	5	BL-400440	S4LSC-21	BL-500514-1	S4LSC-204	BL-600644-1	5/8-24	10-821471-16
O-360-A4J	5	-	S4LSC-21	BL-500514-1	S4LSC-204	BL-600644-1	3/4-20	10-821474-16
O-360-A4J	1, 5	-	4300	-	4300	-	5/8-24	10-821401-16
O-360-A4K	3, 5, 49	BL-400450	S4LSC-21	BL-500514-1	S4LSC-204	BL-600644-1	5/8-24	10-821471-2
O-360-A4K	3, 5	BL-400454	S4LSC-21	BL-500514-1	S4LSC-204	BL-600644-1	3/4-20	10-821474-2
O-360-A4K	3, 5, 21, 49	-	S4LSC-21	BL-500514-1	S4LSC-21	BL-500514-1	5/8-24	10-821471-2
O-360-A4K	3, 5, 21	BL-400428	S4LSC-21	BL-500514-1	S4LSC-21	BL-500514-1	3/4-20	10-821474-2
O-360-A4K	1, 5, 50	-	4300	-	4300	-	5/8-24	10-821401-2
O-360-A4K	1, 5	-	4300	-	4300	-	3/4-20	10-821404-2
O-360-A4M	3, 49	BL-400450	S4LSC-21	BL-500514-1	S4LSC-204	BL-600644-1	5/8-24	10-821471-2
O-360-A4M	3	BL-400454	S4LSC-21	BL-500514-1	S4LSC-204	BL-600644-1	3/4-20	10-821474-2
O-360-A4M	3, 21, 49	-	S4LSC-21	BL-500514-1	S4LSC-21	BL-500514-1	5/8-24	10-821471-2
O-360-A4M	3, 5, 21	BL-400428	S4LSC-21	BL-500514-1	S4LSC-21	BL-500514-1	3/4-20	10-821474-2
O-360-A4M	1, 50	-	4300	-	4300	-	5/8-24	10-821401-2
O-360-A4M	1	-	4300	-	4300	-	3/4-20	10-821404-2
O-360-A4N	3, 49	-	S4LSC-21	BL-500514-1	S4LSC-21	BL-500514-1	5/8-24	10-821471-2
O-360-A4N	3	BL-400428	S4LSC-21	BL-500514-1	S4LSC-21	BL-500514-1	3/4-20	10-821474-2
O-360-A4N	1, 50	-	4300	-	4300	-	5/8-24	10-821401-2
O-360-A4N	1	-	4300	-	4300	-	3/4-20	10-821404-2
O-360-A4P	1, 50	-	4300	-	4300	-	5/8-24	10-821401-2
O-360-A4P	1	-	4300	-	4300	-	3/4-20	10-821404-2
O-360-A5AD	-	-	D-2000/3000	-	DUAL HARNESS		3/4-20	10-821414-6



**Table 4. Ignition Applications for Textron Lycoming Engine Models**

Engine Model	Notes	Ignition System Kit Part No.	Left Magneto		Right Magneto		Spark Plug	Harness Part No.
			Type No.	Part No.	Type No.	Part No.		
O-360-B1A	49	BL-400450	S4LSC-21	BL-500514-1	S4LSC-204	BL-600644-1	5/8-24	10-821471-2
O-360-B1A	21, 49	-	S4LSC-21	BL-500514-1	S4LSC-21	BL-500514-1	5/8-24	10-821471-2
O-360-B1B	49	BL-400465	S4LSC-200	BL-600614-1	S4LSC-204	BL-600644-1	5/8-24	10-821471-2
O-360-B2A	-	BL-400440	S4LSC-21	BL-500514-1	S4LSC-204	BL-600644-1	5/8-24	10-821471-16
O-360-B2A	21	-	S4LSC-21	BL-500514-1	S4LSC-21	BL-500514-1	5/8-24	10-821471-16
O-360-B2A	1	-	4300	-	4300	-	5/8-24	10-821401-16
O-360-B2B	49	BL-400465	S4LSC-200	BL-600614-1	S4LSC-204	BL-600644-1	5/8-24	10-821471-2
O-360-B2C	1	-	4300	-	4300	-	5/8-24	10-821401-16
O-360-C1A	-	BL-400440	S4LSC-21	BL-500514-1	S4LSC-204	BL-600644-1	5/8-24	10-821471-16
O-360-C1A	21	BL-400434	S4LSC-21	BL-500514-1	S4LSC-21	BL-500514-1	5/8-24	10-821471-16
O-360-C1A	1	-	4300	-	4300	-	5/8-24	10-821401-16
O-360-C1C	-	BL-400427	S4LSC-200	BL-600614-1	S4LSC-204	BL-600644-1	5/8-24	10-821471-16
O-360-C1E	3, 49	BL-400450	S4LSC-21	BL-500514-1	S4LSC-204	BL-600644-1	5/8-24	10-821471-2
O-360-C1E	3, 21, 49	-	S4LSC-21	BL-500514-1	S4LSC-21	BL-500514-1	5/8-24	10-821471-2
O-360-C1E	1, 50	-	4300	-	4300	-	5/8-24	10-821401-2
O-360-C1F	3	BL-400483	S4LN-1227	BL-349365-3	S4LN-1209	BL-349305-1	5/8-24	10-821481-2
O-360-C1F	1, 50	-	4300	-	4300	-	5/8-24	10-821401-2
O-360-C1G	49	BL-400450	S4LSC-21	BL-500514-1	S4LSC-204	BL-600644-1	5/8-24	10-821471-2
O-360-C1G	1, 50	-	4300	-	4300	-	5/8-24	10-821401-2
O-360-C2A	49	BL-400450	S4LSC-21	BL-500514-1	S4LSC-204	BL-600644-1	5/8-24	10-821471-2
O-360-C2A	21, 49	-	S4LSC-21	BL-500514-1	S4LSC-21	BL-500514-1	5/8-24	10-821471-2
O-360-C2A	1, 50	-	4300	-	4300	-	5/8-24	10-821401-2
O-360-C2B	49	BL-400450	S4LSC-21	BL-500514-1	S4LSC-204	BL-600644-1	5/8-24	10-821471-2
O-360-C2B	21, 49	-	S4LSC-21	BL-500514-1	S4LSC-21	BL-500514-1	5/8-24	10-821471-2
O-360-C2C	-	BL-400427	S4LSC-200	BL-600614-1	S4LSC-204	BL-600644-1	5/8-24	10-821471-16
O-360-C2C	1	-	4300	-	4300	-	5/8-24	10-821401-16
O-360-C2D	49	BL-400465	S4LSC-200	BL-600614-1	S4LSC-204	BL-600644-1	5/8-24	10-821471-2
O-360-C2E	3, 49	BL-400450	S4LSC-21	BL-500514-1	S4LSC-204	BL-600644-1	5/8-24	10-821471-2
O-360-C2E	3, 21, 49	-	S4LSC-21	BL-500514-1	S4LSC-21	BL-500514-1	5/8-24	10-821471-2
O-360-C2E	1, 50	-	4300	-	4300	-	5/8-24	10-821401-2
O-360-C4F	1, 50	-	4300	-	4300	-	5/8-24	10-821401-2
O-360-C4P	1, 50	-	4300	-	4300	-	5/8-24	10-821401-2



**Table 4. Ignition Applications for Textron Lycoming Engine Models**

Engine Model	Notes	Ignition System Kit Part No.	Left Magneto		Right Magneto		Spark Plug	Harness Part No.
			Type No.	Part No.	Type No.	Part No.		
O-360-D1A	49	BL-400450	S4LSC-21	BL-500514-1	S4LSC-204	BL-600644-1	5/8-24	10-821471-2
O-360-D1A	21, 49	-	S4LSC-21	BL-500514-1	S4LSC-21	BL-500514-1	5/8-24	10-821471-2
O-360-D2A	49	BL-400440	S4LSC-21	BL-500514-1	S4LSC-204	BL-600644-1	5/8-24	10-821471-16
O-360-D2A	21, 50	BL-400434	S4LSC-21	BL-500514-1	S4LSC-21	BL-500514-1	5/8-24	10-821471-16
O-360-D2B	49	BL-400465	S4LSC-200	BL-600614-1	S4LSC-204	BL-600644-1	5/8-24	10-821471-2
O-360-F1A6	3, 49	-	S4LSC-21	BL-500514-1	S4LSC-21	BL-500514-1	5/8-24	10-821471-2
O-360-F1A6	3	BL-400428	S4LSC-21	BL-500514-1	S4LSC-21	BL-500514-1	3/4-20	10-821474-2
O-360-F1A6	1, 50	-	4300	-	4300	-	5/8-24	10-821401-2
O-360-F1A6	1	-	4300	-	4300	-	3/4-20	10-821404-2
O-360-G1A6	3, 49	-	S4LSC-21	BL-500514-1	S4LSC-21	BL-500514-1	5/8-24	10-821471-2
O-360-G1A6	3	BL-400428	S4LSC-21	BL-500514-1	S4LSC-21	BL-500514-1	3/4-20	10-821474-2
O-360-G1A6	1, 50	-	4300	-	4300	-	5/8-24	10-821401-2
O-360-G1A6	1	-	4300	-	4300	-	3/4-20	10-821404-2
TIO-360-A1A	49	-	S4LN-1208	BL-349285-1	S4LN-1208	BL-349305-1	3/4-20	10-821484-14
TIO-360-A1B	-	-	S4LN-1208	BL-349285-7	S4LN-1209	BL-349305-1	3/4-20	10-821484-14
VO-360-A1A	49	BL-400436	S4LSC-21	BL-500514-1	S4LSC-21	BL-500514-1	5/8-24	10-821471-2
VO-360-A1A	-	BL-400428	S4LSC-21	BL-500514-1	S4LSC-21	BL-500514-1	3/4-20	10-821474-2
GO-435-C2A2	-	-	S6LSC-21	BL-500516-3	S6LSC-204	BL-600646-2	5/8-24	10-821671-32
GO-435-C2A2	-	-	S6LSC-21	BL-500516-3	S6LSC-204	BL-600646-2	3/4-20	10-821675-32
GO-435-C2B2	-	-	S6LSC-21	BL-500516-3	S6LSC-204	BL-600646-2	5/8-24	10-821671-32
GO-435-C2B2	-	-	S6LSC-21	BL-500516-3	S6LSC-204	BL-600646-2	3/4-20	10-821675-32
GO-435-C2E	-	-	S6LSC-21	BL-500516-3	S6LSC-204	BL-600646-2	5/8-24	10-821671-32
GO-435-C2E	-	-	S6LSC-21	BL-500516-3	S6LSC-204	BL-600646-2	3/4-20	10-821675-32
O-435-6	-	-	S6RSC-21	BL-500516-5	S6LSC-204	BL-600646-2	5/8-24	10-821672-18
O-435-6A	-	-	S6RSC-21	BL-500516-5	S6LSC-204	BL-600646-2	5/8-24	10-821672-18
O-435-6A	-	-	S6RSC-21	BL-500516-5	S6LSC-204	BL-600646-2	3/4-20	10-821675-18
O-435-23	-	-	S6RSC-21	BL-500516-5	S6LSC-204	BL-600646-2	5/8-24	10-821672-18
O-435-23A	-	-	S6RSC-21	BL-500516-5	S6LSC-204	BL-600646-2	5/8-24	10-821672-18
O-435-23B	-	-	S6RSC-21	BL-500516-5	S6LSC-204	BL-600646-2	5/8-24	10-821672-18
O-435-25	-	-	S6RSC-200	BL-600616-7	S6LSC-204	BL-600646-2	5/8-24	10-821672-18
O-435-25A	-	-	S6RSC-200	BL-600616-7	S6LSC-204	BL-600646-2	5/8-24	10-821672-18





**Table 4. Ignition Applications for Textron Lycoming Engine Models**

Engine Model	Notes	Ignition System Kit Part No.	Left Magneto		Right Magneto		Spark Plug	Harness Part No.
			Type No.	Part No.	Type No.	Part No.		
O-435-A	11	-	S6LSC-204	BL-600646-2	S6LSC-204	BL-600646-2	5/8-24	10-821671-32
O-435-A	11	-	S6LSC-204	BL-600646-2	S6LSC-204	BL-600646-2	3/4-20	10-821675-32
O-435-A2	11	-	S6LSC-204	BL-600646-2	S6LSC-204	BL-600646-2	5/8-24	10-821671-32
O-435-A2	11	-	S6LSC-204	BL-600646-2	S6LSC-204	BL-600646-2	3/4-20	10-821675-32
O-435-K	9, 11	-	S6LSC-204	BL-600646-2	S6LSC-204	BL-600646-2	-	-
O-435-K1	9, 11	-	S6LSC-204	BL-600646-2	S6LSC-204	BL-600646-2	-	-
TVO-435-A1A	-	-	S6RSC-200	BL-600616-7	S6LSC-204	BL-600646-2	3/4-20	10-821675-18
TVO-435-B1A	-	-	S6RSC-200	BL-600616-7	S6LSC-204	BL-600646-2	3/4-20	10-821675-18
TVO-435-B1B	-	-	S6RN-1208	BL-349290-4	S6LN-1209	BL-349310-10	3/4-20	10-821685-18
TVO-435-D1A	-	-	S6RN-1208	BL-349290-4	S6LN-1209	BL-349310-10	3/4-20	10-821684-26
TVO-435-D1B	-	-	S6RSC-200	BL-600616-7	S6LSC-204	BL-600646-2	3/4-20	10-821675-18
TVO-435-F1A	-	-	S6RN-1208	BL-349290-4	S6LN-1209	BL-349310-10	3/4-20	10-821684-26
TVO-435-G1A	-	-	S6RN-1208	BL-349290-4	S6LN-1209	BL-349310-10	3/4-20	10-821684-26
TVO-435-G1B	-	-	S6RSC-200	BL-600616-7	S6LSC-204	BL-600646-2	3/4-20	10-821675-18
VO-435-A1B	-	-	S6RSC-21	BL-500516-5	S6LSC-204	BL-600646-2	5/8-24	10-821672-18
VO-435-A1C	-	-	S6RSC-21	BL-500516-5	S6LSC-204	BL-600646-2	5/8-24	10-821672-18
VO-435-A1D	-	-	S6RSC-21	BL-500516-5	S6LSC-204	BL-600646-2	5/8-24	10-821672-18
VO-435-A1D	-	-	S6RSC-21	BL-500516-5	S6LSC-204	BL-600646-2	3/4-20	10-821675-18
VO-435-A1E	-	-	S6RSC-200	BL-600616-7	S6LSC-204	BL-600646-2	5/8-24	10-821672-18
VO-435-A1E	-	-	S6RSC-200	BL-600616-7	S6LSC-204	BL-600646-2	3/4-20	10-821675-18
VO-435-A1F	-	-	S6RSC-200	BL-600616-7	S6LSC-204	BL-600646-2	5/8-24	10-821672-18
VO-435-A1F	-	-	S6RSC-200	BL-600616-7	S6LSC-204	BL-600646-2	3/4-20	10-821675-18
VO-435-B1A	-	-	S6LN-1208	BL-349290-9	S6RN-1209	BL-349310-11	3/4-20	10-821684-26



**Table 4. Ignition Applications for Textron Lycoming Engine Models**

Engine Model	Notes	Ignition System Kit Part No.	Left Magneto		Right Magneto		Spark Plug	Harness Part No.
			Type No.	Part No.	Type No.	Part No.		
GO-480-B	-	-	S6LSC-21	BL-500516-3	S6LSC-204	BL-600646-2	5/8-24	10-821671-32
GO-480-B	-	-	S6LSC-21	BL-500516-3	S6LSC-204	BL-600646-2	3/4-20	10-821675-32
GO-480-B1A6	-	-	S6LSC-21	BL-500516-3	S6LSC-204	BL-600646-2	5/8-24	10-821671-32
GO-480-B1A6	-	-	S6LSC-21	BL-500516-3	S6LSC-204	BL-600646-2	3/4-20	10-821675-32
GO-480-B1C	-	-	S6LSC-21	BL-500516-3	S6LSC-204	BL-600646-2	5/8-24	10-821671-32
GO-480-B1C	-	-	S6LSC-21	BL-500516-3	S6LSC-204	BL-600646-2	3/4-20	10-821675-32
GO-480-B1D	-	-	S6LSC-21	BL-500516-3	S6LSC-204	BL-600646-2	5/8-24	10-821671-32
GO-480-B1D	-	-	S6LSC-21	BL-500516-3	S6LSC-204	BL-600646-2	3/4-20	10-821675-32
GO-480-C1D6	-	-	S6LSC-21	BL-500516-3	S6LSC-204	BL-600646-2	5/8-24	10-821671-32
GO-480-C1D6	-	-	S6LSC-21	BL-500516-3	S6LSC-204	BL-600646-2	3/4-20	10-821675-32
GO-480-C2D6	-	-	S6LSC-21	BL-500516-3	S6LSC-204	BL-600646-2	5/8-24	10-821671-32
GO-480-C2E6	-	-	S6LSC-21	BL-500516-3	S6LSC-204	BL-600646-2	5/8-24	10-821671-32
GO-480-C2E6	-	-	S6LSC-21	BL-500516-3	S6LSC-204	BL-600646-2	3/4-20	10-821675-32
GO-480-D1A	-	-	S6RSC-21	BL-500516-5	S6LSC-204	BL-600646-2	5/8-24	10-821672-24
GO-480-E1A6	-	-	S6LSC-21	BL-500516-3	S6LSC-204	BL-600646-2	5/8-24	10-821671-32
GO-480-E1A6	-	-	S6LSC-21	BL-500516-3	S6LSC-204	BL-600646-2	3/4-20	10-821675-32
GO-480-F1A6	-	-	S6LSC-21	BL-500516-3	S6LSC-204	BL-600646-2	5/8-24	10-821671-32
GO-480-F1A6	-	-	S6LSC-21	BL-500516-3	S6LSC-204	BL-600646-2	3/4-20	10-821675-32
GO-480-F2A6	-	-	S6LSC-21	BL-500516-3	S6LSC-204	BL-600646-2	5/8-24	10-821671-32
GO-480-F2A6	-	-	S6LSC-21	BL-500516-3	S6LSC-204	BL-600646-2	3/4-20	10-821675-32
GO-480-F2D6	-	-	S6LSC-21	BL-500516-3	S6LSC-204	BL-600646-2	5/8-24	10-821671-32
GO-480-F2D6	-	-	S6LSC-21	BL-500516-3	S6LSC-204	BL-600646-2	3/4-20	10-821675-32
GO-480-F3A6	-	-	S6LSC-21	BL-500516-3	S6LSC-204	BL-600646-2	5/8-24	10-821671-32
GO-480-F3A6	-	-	S6LSC-21	BL-500516-3	S6LSC-204	BL-600646-2	3/4-20	10-821675-32
GO-480-F4A6	-	-	S6LSC-21	BL-500516-3	S6LSC-204	BL-600646-2	5/8-24	10-821671-32
GO-480-G1A6	-	-	S6LSC-21	BL-500516-3	S6LSC-204	BL-600646-2	3/4-20	10-821675-32
GO-480-G1B6	-	-	S6RSC-21	BL-500516-5	S6LSC-204	BL-600646-2	5/8-24	10-821672-24
GO-480-G1D6	-	-	S6LSC-21	BL-500516-3	S6LSC-204	BL-600646-2	3/4-20	10-821675-32
GO-480-G1H6	-	-	S6LSC-21	BL-500516-3	S6LSC-204	BL-600646-2	3/4-20	10-821675-32
GO-480-G2D6	-	-	S6LSC-21	BL-500516-3	S6LSC-204	BL-600646-2	3/4-20	10-821675-32



**Table 4. Ignition Applications for Textron Lycoming Engine Models**

Engine Model	Notes	Ignition System Kit Part No.	Left Magneto		Right Magneto		Spark Plug	Harness Part No.
			Type No.	Part No.	Type No.	Part No.		
GO-480-G2F6	-	-	S6LSC-200	BL-600616-3	S6LSC-204	BL-600646-2	3/4-20	10-821675-32
GSO-480-A1A6	-	-	S6RSC-21	BL-500516-5	S6LSC-204	BL-600646-2	5/8-24	10-821672-24
GSO-480-A1C6	-	-	S6RSC-21	BL-500516-5	S6LSC-204	BL-600646-2	5/8-24	10-821672-24
GSO-480-A2A6	-	-	S6RSC-21	BL-500516-5	S6LSC-204	BL-600646-2	5/8-24	10-821672-24
GSO-480-B1A6	-	-	S6RSC-21	BL-500516-5	S6LSC-204	BL-600646-2	5/8-24	10-821672-24
GSO-480-B1B3	-	-	S6RSC-21	BL-500516-5	S6LSC-204	BL-600646-2	5/8-24	10-821672-24
GSO-480-B1B6	-	-	S6RSC-21	BL-500516-5	S6LSC-204	BL-600646-2	5/8-24	10-821672-24
GSO-480-B1C6	-	-	S6RSC-21	BL-500516-5	S6LSC-204	BL-600646-2	5/8-24	10-821672-24
GSO-480-B1E6	-	-	S6RSC-200	BL-600616-4	S6LSC-204	BL-600646-2	5/8-24	10-821672-24
GSO-480-B1F6	-	-	S6RSC-200	BL-600616-4	S6LSC-204	BL-600646-2	5/8-24	10-821672-24
GSO-480-B1G6	-	-	S6RSC-200	BL-600616-4	S6LSC-204	BL-600646-2	5/8-24	10-821672-24
GSO-480-B1J6	-	-	S6RN-1227	10-349370-2	S6LN-1209	BL-349310-10	3/4-20	10-821684-28
GSO-480-B2C6	-	-	S6RSC-21	BL-500516-5	S6LSC-204	BL-600646-2	5/8-24	10-821672-24
GSO-480-B2D6	-	-	S6RSC-21	BL-500516-5	S6LSC-204	BL-600646-2	5/8-24	10-821672-24
GSO-480-B2G6	-	-	S6RSC-200	BL-600616-4	S6LSC-204	BL-600646-2	5/8-24	10-821672-24
GSO-480-B2H6	9	-	S6RSC-200	BL-600616-4	S6LSC-204	BL-600646-2	5/8-24	-
IGO-480-A1B6	-	-	S6LSC-21	BL-500516-3	S6LSC-204	BL-600646-2	3/4-20	10-821675-32
IGSO-480-A1A6	9	-	S6RSC-21	BL-500516-5	S6LSC-204	BL-600646-2	3/4-20	-
IGSO-480-A1B6	9	-	S6RSC-200	BL-600616-4	S6LSC-204	BL-600646-2	3/4-20	-
IGSO-480-A1C6	9	-	S6LN-1227	BL-349370-1	S6LN-1209	BL-349310-1	3/4-20	-
IGSO-480-A1D6	9	-	S6LN-1227	BL-349370-1	S6LN-1209	BL-349310-1	3/4-20	-
IGSO-480-A1E6	-	-	S6LSC-21	BL-500516-3	S6LSC-204	BL-600646-2	5/8-24	10-821672-24
IGSO-480-A1F3	9	-	S6LSC-21	BL-500516-3	S6LSC-204	BL-600646-2	3/4-20	-
IGSO-480-A1F6	9	-	S6LSC-21	BL-500516-3	S6LSC-204	BL-600646-2	3/4-20	-
O-480-3	-	-	S6RSC-21	BL-500516-5	S6LSC-204	BL-600646-2	5/8-24	10-821672-24



**Table 4. Ignition Applications for Textron Lycoming Engine Models**

Engine Model	Notes	Ignition System Kit Part No.	Left Magneto		Right Magneto		Spark Plug	Harness Part No.
			Type No.	Part No.	Type No.	Part No.		
AEIO-540-D4A5	-	BL-400472	S6LSC-200	BL-600616-3	S6LSC-204	BL-600646-1	5/8-24	10-821671-2
AEIO-540-D4A5	1	-	6300	-	6300	-	5/8-24	10-821601-2
AEIO-540-D4A5	1	-	6300	-	6300	-	5/8-24	10-821604-2
AEIO-540-D4B5	-	-	S6LN-1227	BL-349370-4	S6LN-1209	BL-349310-1	5/8-24	10-821681-40
AEIO-540-D4B5	2	-	S6LN-1227	BL-349370-4	S6LN-1209	BL-349310-8	5/8-24	10-821681-40
AEIO-540-D4B5	1	-	6300	-	6300	-	5/8-24	10-821601-40
AEIO-540-D4D5	1	-	6300	-	6300	-	5/8-24	10-821601-2
AEIO-540-L1B5	-	-	6300	-	6300	-	5/8-24	10-821601-40
AEIO-540-L1B5D	-	-	D-2000/3000	-	DUAL HARNESS		3/4-20	10-821614-6
AEIO-540-L1B5D	-	-	D-2000/3000	-	DUAL HARNESS		3/4-20	10-821644-6
AEIO-540-L1D5	-	-	6300	-	6300	-	5/8-24	10-821601-40
AEIO-540-L1D5	-	-	6300	-	6300	-	3/4-20	10-821604-40
HIO-540-A1A	-	-	S6LN-1227	BL-349370-4	S6LN-1209	BL-349310-1	-	-
IGO-540-A1A	-	-	S6RSC-200	BL-600616-4	S6RN-204	10-600646-4	3/4-20	10-821674-22
IGO-540-A1C	-	-	S6RN-1208	BL-349290-3	S6RN-1209	BL-349310-4	3/4-20	10-821685-10
IGO-540-B1A	-	-	S6RSC-200	BL-600616-4	S6RN-204	10-600646-4	3/4-20	10-821674-22
IGO-540-B1C	-	-	S6RSC-200	BL-600616-4	S6RN-204	10-600646-4	3/4-20	10-821674-22
IGSO-540-A1A	8	-	S6RN-1208	BL-349290-3	S6RN-1209	BL-349310-4	3/4-20	10-821685-10
IGSO-540-A1C	8	-	S6RN-1208	BL-349290-3	S6RN-1209	BL-349310-4	3/4-20	10-821685-10
IGSO-540-A1D	-	-	S6RN-1208	BL-349290-3	S6RN-1209	BL-349310-4	3/4-20	10-821685-10
IGSO-540-A1E	-	-	S6RN-1208	BL-349290-3	S6RN-1209	BL-349310-4	3/4-20	10-821685-10
IGSO-540-A1F	-	-	S6RN-1208	BL-349290-3	S6RN-1209	BL-349310-4	3/4-20	10-821685-10
IGSO-540-A1H	-	-	S6RN-1208	BL-349290-3	S6RN-1209	BL-349310-4	3/4-20	10-821685-10
IGSO-540-B1A	8	-	S6RN-1208	BL-349290-3	S6RN-1209	BL-349310-4	3/4-20	10-821685-16
IGSO-540-B1C	-	-	S6RN-1208	BL-349290-3	S6RN-1209	BL-349310-4	3/4-20	10-821685-16
IO-540-A1A5	-	BL-400472	S6LSC-200	BL-600616-3	S6LSC-204	BL-600646-1	5/8-24	10-821671-2
IO-540-A1A5	-	-	S6LSC-200	BL-600616-3	S6LSC-204	BL-600646-1	3/4-20	10-821674-2



**Table 4. Ignition Applications for Textron Lycoming Engine Models**

Engine Model	Notes	Ignition System Kit Part No.	Left Magneto		Right Magneto		Spark Plug	Harness Part No.
			Type No.	Part No.	Type No.	Part No.		
IO-540-B1A5	-	BL-400472	S6LSC-200	BL-600616-3	S6LSC-204	BL-600646-1	5/8-24	10-821671-2
IO-540-B1A5	-	-	S6LSC-200	BL-600616-3	S6LSC-204	BL-600646-1	3/4-20	10-821674-2
IO-540-B1B5	-	BL-400472	S6LSC-200	BL-600616-3	S6LSC-204	BL-600646-1	5/8-24	10-821671-2
IO-540-B1B5	-	-	S6LSC-200	BL-600616-3	S6LSC-204	BL-600646-1	3/4-20	10-821674-2
IO-540-B1C5	-	BL-400472	S6LSC-200	BL-600616-3	S6LSC-204	BL-600646-1	5/8-24	10-821671-2
IO-540-B1C5	-	-	S6LSC-200	BL-600616-3	S6LSC-204	BL-600646-1	3/4-20	10-821674-2
IO-540-C1B5	-	BL-400472	S6LSC-200	BL-600616-3	S6LSC-204	BL-600646-1	5/8-24	10-821671-2
IO-540-C1B5	-	-	S6LSC-200	BL-600616-3	S6LSC-204	BL-600646-1	3/4-20	10-821674-2
IO-540-C1C5	-	BL-400472	S6LSC-200	BL-600616-3	S6LSC-204	BL-600646-1	5/8-24	10-821671-2
IO-540-C1C5	-	-	S6LSC-200	BL-600616-3	S6LSC-204	BL-600646-1	3/4-20	10-821674-2
IO-540-C2C	-	BL-400474	S6LSC-21	BL-500516-2	S6LSC-204	BL-600646-1	5/8-24	10-821671-2
IO-540-C2C	-	BL-400468	S6LSC-21	BL-500516-2	S6LSC-204	BL-600646-1	3/4-20	10-821674-2
IO-540-C4B5	-	BL-400472	S6LSC-200	BL-600616-3	S6LSC-204	BL-600646-1	5/8-24	10-821671-2
IO-540-C4B5	-	-	S6LSC-200	BL-600616-3	S6LSC-204	BL-600646-1	3/4-20	10-821674-2
IO-540-C4B5	-	-	6300	-	6300	-	5/8-24	10-821601-2
IO-540-C4B5	-	-	6300	-	6300	-	3/4-20	10-821604-2
IO-540-C4B5D	-	-	D-2000/3000	-	DUAL HARNESS	-	3/4-20	10-821614-6
IO-540-C4D5	-	-	6300	-	6300	-	5/8-24	10-821601-2
IO-540-C4D5	-	-	6300	-	6300	-	3/4-20	10-821604-2
IO-540-C4D5D	-	-	D-2000/3000	-	DUAL HARNESS	-	3/4-20	10-821614-6
IO-540-D4A5	-	BL-400472	S6LSC-200	BL-600616-3	S6LSC-204	BL-600646-1	5/8-24	10-821671-2
IO-540-D4A5	-	-	6300	-	6300	-	5/8-24	10-821601-2
IO-540-D4B5	-	BL-400497	S6LN-1227	BL-349370-4	S6LN-1209	BL-349310-1	5/8-24	10-821681-38
IO-540-D4B5	-	-	6300	-	6300	-	5/8-24	10-821601-38
IO-540-D4C5	-	BL-400445	S6LN-1208	BL-349290-1	S6LN-1209	BL-349310-1	5/8-24	10-821681-38
IO-540-E1A5	-	BL-400472	S6LSC-200	BL-600616-3	S6LSC-204	BL-600646-1	5/8-24	10-821671-2
IO-540-E1A5	-	-	S6LSC-200	BL-600616-3	S6LSC-204	BL-600646-1	3/4-20	10-821674-2
IO-540-E1A5	-	-	6300	-	6300	-	5/8-24	10-821601-2
IO-540-E1A5	-	-	6300	-	6300	-	3/4-20	10-821604-2
IO-540-E1B5	-	BL-400496	S6LN-1208	BL-349290-1	S6LN-1209	BL-349310-1	5/8-24	10-821681-40
IO-540-E1B5	-	BL-400498	S6LN-1208	BL-349290-1	S6LN-1209	BL-349310-1	3/4-20	10-821684-40
IO-540-E1B5	-	-	6300	-	6300	-	5/8-24	10-821601-40
IO-540-E1B5	-	-	6300	-	6300	-	3/4-20	10-821604-40



**Table 4. Ignition Applications for Textron Lycoming Engine Models**

Engine Model	Notes	Ignition System Kit Part No.	Left Magneto		Right Magneto		Spark Plug	Harness Part No.
			Type No.	Part No.	Type No.	Part No.		
IO-540-E1C5	-	BL-400496	S6LN-1208	BL-349290-1	S6LN-1209	BL-349310-1	5/8-24	10-821681-40
IO-540-E1C5	-	BL-400498	S6LN-1208	BL-349290-1	S6LN-1209	BL-349310-1	3/4-20	10-821684-40
IO-540-G1A5	-	BL-400472	S6LSC-200	BL-600616-3	S6LSC-204	BL-600646-1	5/8-24	10-821671-2
IO-540-G1A5	-	-	S6LSC-200	BL-600616-3	S6LSC-204	BL-600646-1	3/4-20	10-821674-2
IO-540-G1B5	-	BL-400496	S6LN-1208	BL-349290-1	S6LN-1209	BL-349310-1	5/8-24	10-821681-40
IO-540-G1B5	-	BL-400498	S6LN-1208	BL-349290-1	S6LN-1209	BL-349310-1	3/4-20	10-821684-40
IO-540-G1B5	1	-	6300	-	6300	-	5/8-24	10-821601-40
IO-540-G1B5	1	-	6300	-	6300	-	3/4-20	10-821604-40
IO-540-G1C5	-	BL-400497	S6LN-1227	BL-349370-4	S6LN-1209	BL-349310-1	5/8-24	10-821681-38
IO-540-G1C5	-	BL-400495	S6LN-1227	BL-349370-4	S6LN-1209	BL-349310-1	3/4-20	10-821684-38
IO-540-G1D5	-	BL-400444	S6LN-1227	BL-349370-4	S6LN-1209	BL-349310-1	3/4-20	10-821684-40
IO-540-G1D5	2	-	S6LN-1227	BL-349370-4	S6LN-1209	BL-349310-8	3/4-20	10-821684-40
IO-540-G1D5	-	-	6300	-	6300	-	5/8-24	10-821601-40
IO-540-G1D5	-	-	6300	-	6300	-	3/4-20	10-821604-40
IO-540-G1E5	-	-	S6LN-1208	BL-349290-1	S6LN-1209	BL-349310-1	3/4-20	10-821684-40
IO-540-G1E5	1	-	6300	-	6300	-	5/8-24	10-821601-40
IO-540-G1E5	1	-	6300	-	6300	-	3/4-20	10-821604-40
IO-540-G1F5	-	-	S6LN-1227	BL-349370-4	S6LN-1227	BL-349370-4	3/4-20	10-821684-40
IO-540-G1F5	1	-	6300	-	6300	-	3/4-20	10-821604-40
IO-540-J4A5	-	BL-400445	S6LN-1208	BL-349290-1	S6LN-1209	BL-349310-1	5/8-24	10-821681-38
IO-540-J4A5	-	BL-400446	S6LN-1208	BL-349290-1	S6LN-1209	BL-349310-1	3/4-20	10-821684-38
IO-540-J4A5	1	-	6300	-	6300	-	5/8-24	10-821601-38
IO-540-J4A5	1	-	6300	-	6300	-	3/4-20	10-821604-38
IO-540-K1A5	-	BL-400499	S6LN-1227	BL-349370-4	S6LN-1209	BL-349310-1	5/8-24	10-821681-40
IO-540-K1A5	-	BL-400444	S6LN-1227	BL-349370-4	S6LN-1209	BL-349310-1	3/4-20	10-821684-40
IO-540-K1A5	43	BL-400496	S6LN-1208	BL-349290-1	S6LN-1209	BL-349310-1	5/8-24	10-821681-40
IO-540-K1A5	43	-	S6LN-1208	BL-349290-1	S6LN-1209	BL-349310-1	3/4-20	10-821684-40
IO-540-K1A5	1	-	6300	-	6300	-	5/8-24	10-821601-40
IO-540-K1A5	1	-	6300	-	6300	-	3/4-20	10-821604-40
IO-540-K1A5D	-	-	D-2000/3000	-	DUAL HARNESS	-	3/4-20	10-821614-6
IO-540-K1A5D	2	-	D-2000/3000	-	DUAL HARNESS	-	3/4-20	10-821644-6



**Table 4. Ignition Applications for Textron Lycoming Engine Models**

Engine Model	Notes	Ignition System Kit Part No.	Left Magneto		Right Magneto		Spark Plug	Harness Part No.
			Type No.	Part No.	Type No.	Part No.		
IO-540-K1B5	-	BL-400499	S6LN-1227	BL-349370-4	S6LN-1209	BL-349310-1	5/8-24	10-821681-40
IO-540-K1B5	-	BL-400444	S6LN-1227	BL-349370-4	S6LN-1209	BL-349310-1	3/4-20	10-821684-40
IO-540-K1B5	2	-	S6LN-1227	BL-349370-4	S6LN-1209	BL-349310-8	5/8-24	10-821681-40
IO-540-K1B5	2	-	S6LN-1227	BL-349370-4	S6LN-1209	BL-349310-8	3/4-20	10-821684-40
IO-540-K1B5	43	BL-400496	S6LN-1208	BL-349290-1	S6LN-1209	BL-349310-1	5/8-24	10-821681-40
IO-540-K1B5	43	-	S6LN-1208	BL-349290-1	S6LN-1209	BL-349310-1	3/4-20	10-821684-40
IO-540-K1B5	2, 43	-	S6LN-1208	BL-349290-1	S6LN-1209	BL-349310-8	5/8-24	10-821681-40
IO-540-K1B5	2, 43	-	S6LN-1208	BL-349290-1	S6LN-1209	BL-349310-8	3/4-20	10-821684-40
IO-540-K1B5	1	-	6300	-	6300	-	5/8-24	10-821601-40
IO-540-K1B5	1	-	6300	-	6300	-	3/4-20	10-821604-40
IO-540-K1C5	-	BL-400472	S6LSC-200	BL-600616-3	S6LSC-204	BL-600646-1	5/8-24	10-821671-2
IO-540-K1C5	-	-	S6LSC-200	BL-600616-3	S6LSC-204	BL-600646-1	3/4-20	10-821674-2
IO-540-K1C5	1	-	6300	-	6300	-	5/8-24	10-821601-2
IO-540-K1C5	1	-	6300	-	6300	-	3/4-20	10-821604-2
IO-540-K1D5	-	BL-400472	S6LSC-200	BL-600616-3	S6LSC-204	BL-600646-1	5/8-24	10-821671-2
IO-540-K1D5	-	-	S6LSC-200	BL-600616-3	S6LSC-204	BL-600646-1	3/4-20	10-821674-2
IO-540-K1D5	1	-	6300	-	6300	-	5/8-24	10-821601-2
IO-540-K1D5	1	-	6300	-	6300	-	3/4-20	10-821604-2
IO-540-K1E5	-	-	S6LN-1227	BL-349370-4	S6LN-1227	BL-349370-4	5/8-24	10-821681-40
IO-540-K1E5	-	-	S6LN-1227	BL-349370-4	S6LN-1227	BL-349370-4	3/4-20	10-821684-40
IO-540-K1E5	1	-	6300	-	6300	-	5/8-24	10-821601-38
IO-540-K1E5	1	-	6300	-	6300	-	3/4-20	10-821604-40
IO-540-K1E5D	2	-	D-2000/3000	-	DUAL HARNESS		3/4-20	10-821644-6
IO-540-K1F5	-	BL-400496	S6LN-1208	BL-349290-1	S6LN-1209	BL-349310-1	5/8-24	10-821681-40
IO-540-K1F5	-	BL-400498	S6LN-1208	BL-349290-1	S6LN-1209	BL-349310-1	3/4-20	10-821684-40
IO-540-K1F5	1	-	6300	-	6300	-	5/8-24	10-821601-40
IO-540-K1F5	1	-	6300	-	6300	-	3/4-20	10-821604-40
IO-540-K1F5D	-	-	D-2000/3000	-	DUAL HARNESS		3/4-20	10-821624-6
IO-540-K1G5	-	BL-400499	S6LN-1227	BL-349370-4	S6LN-1209	BL-349310-1	5/8-24	10-821681-40
IO-540-K1G5	-	BL-400444	S6LN-1227	BL-349370-4	S6LN-1209	BL-349310-1	3/4-20	10-821684-40
IO-540-K1G5	43	BL-400496	S6LN-1208	BL-349290-1	S6LN-1209	BL-349310-1	5/8-24	10-821681-40
IO-540-K1G5	43	-	S6LN-1208	BL-349290-1	S6LN-1209	BL-349310-1	3/4-20	10-821684-40
IO-540-K1G5	1	-	6300	-	6300	-	5/8-24	10-821601-40
IO-540-K1G5	1	-	6300	-	6300	-	3/4-20	10-821604-40
IO-540-K1G5D	-	-	D-2000/3000	-	DUAL HARNESS		3/4-20	10-821644-6
IO-540-K1H5	-	BL-400499	S6LN-1227	BL-349370-4	S6LN-1209	BL-349310-1	5/8-24	10-821681-40
IO-540-K1H5	1	-	6300	-	6300	-	5/8-24	10-821601-40



**Table 4. Ignition Applications for Textron Lycoming Engine Models**

Engine Model	Notes	Ignition System Kit Part No.	Left Magneto		Right Magneto		Spark Plug	Harness Part No.
			Type No.	Part No.	Type No.	Part No.		
IO-540-K1J5	-	-	S6LN-1208	BL-349290-1	S6LN-1209	BL-349310-1	3/4-20	10-821684-40
IO-540-K1J5	1	-	6300	-	6300	-	3/4-20	10-821604-2
IO-540-K1J5D	-	-	D-2000/3000	-	DUAL HARNESS		3/4-20	10-821624-6
IO-540-K1K5	-	BL-400499	S6LN-1227	BL-349370-4	S6LN-1209	BL-349310-1	5/8-24	10-821681-40
IO-540-K1K5	43	BL-400496	S6LN-1208	BL-349290-1	S6LN-1209	BL-349310-1	5/8-24	10-821681-40
IO-540-K1K5	1	-	6300	-	6300	-	5/8-24	10-821601-40
IO-540-L1A5	-	-	S6LN-1227	BL-349370-4	S6LN-1209	BL-349310-1	5/8-24	10-821681-38
IO-540-L1A5D	2	-	D-2000/3000	-	DUAL HARNESS		3/4-20	10-821644-6
IO-540-L1B5D	2	-	D-2000/3000	-	DUAL HARNESS		3/4-20	10-821644-6
IO-540-L1C5	-	BL-400499	S6LN-1227	BL-349370-4	S6LN-1209	BL-349310-1	5/8-24	10-821681-40
IO-540-L1C5	43	BL-400496	S6LN-1208	BL-349290-1	S6LN-1209	BL-349310-1	5/8-24	10-821681-40
IO-540-L1C5	1	-	6300	-	6300	-	5/8-24	10-821601-40
IO-540-M1A5	-	-	S6LN-1208	BL-349290-1	S6LN-1209	BL-349310-1	3/4-20	10-821685-12
IO-540-M1A5	1	-	6300	-	6300	-	3/4-20	10-821604-2
IO-540-M1B5D	-	-	D-2000/3000	-	DUAL HARNESS		3/4-20	10-821615-4
IO-540-N1A5	-	BL-400472	S6LSC-200	BL-600616-3	S6LSC-204	BL-600646-1	5/8-24	10-821671-2
IO-540-N1A5	-	-	S6LSC-200	BL-600616-3	S6LSC-204	BL-600646-1	3/4-20	10-821674-2
IO-540-N1A5	1	-	6300	-	6300	-	5/8-24	10-821601-2
IO-540-N1A5	1	-	6300	-	6300	-	3/4-20	10-821604-2
IO-540-P1A5	-	BL-400498	S6LN-1208	BL-349290-1	S6LN-1209	BL-349310-1	5/8-24	10-821681-40
IO-540-P1A5	-	BL-400498	S6LN-1208	BL-349290-1	S6LN-1209	BL-349310-1	3/4-20	10-821684-40
IO-540-P1A5	1	-	6300	-	6300	-	5/8-24	10-821601-40
IO-540-P1A5	1	-	6300	-	6300	-	3/4-20	10-821604-40
IO-540-R1A5	-	BL-400496	S6LN-1208	BL-349290-1	S6LN-1209	BL-349310-1	5/8-24	10-821681-40
IO-540-R1A5	1	-	6300	-	6300	-	5/8-24	10-821601-40
IO-540-R1A5	1	-	6300	-	6300	-	3/4-20	10-821604-40
IO-540-S1A5	-	BL-400498	S6LN-1208	BL-349290-1	S6LN-1209	BL-349310-1	3/4-20	10-821684-40
IO-540-S1A5	2	-	S6LN-1208	BL-349290-1	S6LN-1209	BL-349310-8	3/4-20	10-821684-40
IO-540-S1A5	1	-	6300	-	6300	-	3/4-20	10-821604-40
IO-540-T4A5D	-	-	D-2000/3000	-	DUAL HARNESS		3/4-20	10-821614-6
IO-540-T4B5	1	-	6300	-	6300	-	5/8-24	10-821601-38
IO-540-T4B5	1	-	6300	-	6300	-	3/4-20	10-821604-2
IO-540-T4B5D	-	-	D-2000/3000	-	DUAL HARNESS		3/4-20	10-821614-6





**Table 4. Ignition Applications for Textron Lycoming Engine Models**

Engine Model	Notes	Ignition System Kit Part No.	Left Magneto		Right Magneto		Spark Plug	Harness Part No.
			Type No.	Part No.	Type No.	Part No.		
IO-540-T4C5D	-	-	D-2000/3000	-	DUAL HARNESS		3/4-20	10-821624-6
IO-540-U1A5D	-	-	D-2000/3000	-	DUAL HARNESS		3/4-20	10-821615-4
IO-540-V4A5	1	-	6300	-	6300	-	5/8-24	10-821601-2
IO-540-V4A5	1	-	6300	-	6300	-	3/4-20	10-821604-2
IO-540-V4A5D	-	-	D-2000/3000	-	DUAL HARNESS		3/4-20	10-821614-6
IO-540-W1A5	1	-	6300	-	6300	-	5/8-24	10-821601-2
IO-540-W1A5	1	-	6300	-	6300	-	3/4-20	10-821604-2
IO-540-W1A5D	-	-	D-2000/3000	-	DUAL HARNESS		3/4-20	10-821614-6
IO-540-W3A5D	-	-	D-2000/3000	-	DUAL HARNESS		3/4-20	10-821614-6
IO-540-AA1A5	-	-	S6LN-1208	BL-349290-1	S6LN-1209	BL-349310-1	5/8-24	10-821681-2
IO-540-AA1A5	-	-	S6LN-1208	BL-349290-1	S6LN-1209	BL-349310-1	3/4-20	10-821684-40
IO-540-AA1A5	1	-	6300	-	6300	-	3/4-20	10-821604-40
IO-540-AA1B5	1	-	6300	-	6300	-	3/4-20	10-821604-2
IO-540-AB1A5	1	-	6300	-	6300	-	5/8-24	10-821601-38
IO-540-AC1A5	1	-	6300	-	6300	-	3/4-20	10-821604-2
IO-540-AE1A5	-	-	S6LSC-200	10-600616-9	S6LSC-204T	BL-600644-201	5/8-24	10-821671-2
IO-540-AF1A5	1	-	6300	-	6300	-	3/4-20	10-821604-2
IVO-540-A1A	-	-	S6RSC-21	BL-500516-5	S6LSC-204	BL-600646-2	3/4-20	10-821675-18
LTIO-540-F2BD	-	-	D-2000/3000	-	DUAL HARNESS		3/4-20	10-821625-4
LTIO-540-J2B	-	-	S6RN-1208	BL-349290-17	S6RN-1209	BL-349310-14	3/4-20	10-821685-12
LTIO-540-J2BD	-	-	D-2000/3000	-	DUAL HARNESS		3/4-20	10-821625-4
LTIO-540-N2BD	-	-	D-2000/3000	-	DUAL HARNESS		3/4-20	10-821625-4
LTIO-540-R2AD	-	-	D-2000/3000	-	DUAL HARNESS		3/4-20	10-821625-4
LTIO-540-U2A	12	BL-349610-3	S6RN-1258	BL-349490-3	S6RN-1259	BL-349510-3	3/4-20	10-821695-40
LTIO-540-U2A	1	-	6300	-	6300	-	3/4-20	10-821604-2
LTIO-540-V2AD	-	-	D-2000/3000	-	DUAL HARNESS		3/4-20	10-821625-34
LTIO-540-W2A	-	-	S6RN-1208	BL-349290-17	S6RN-1209	BL-349310-14	3/4-20	10-821684-2
O-540-A1A	-	BL-400474	S6LSC-21	BL-500516-2	S6LSC-204	BL-600646-1	5/8-24	10-821671-2
O-540-A1A5	-	BL-400474	S6LSC-21	BL-500516-2	S6LSC-204	BL-600646-1	5/8-24	10-821671-2



**Table 4. Ignition Applications for Textron Lycoming Engine Models**

Engine Model	Notes	Ignition System Kit Part No.	Left Magneto		Right Magneto		Spark Plug	Harness Part No.
			Type No.	Part No.	Type No.	Part No.		
O-540-A1A5	1	-	6300	-	6300	-	5/8-24	10-821601-2
O-540-A1B5	-	-	S6LSC-21	BL-500516-2	S6LSC-21	BL-500516-2	5/8-24	10-821671-2
O-540-A1B5	1	-	6300	-	6300	-	5/8-24	10-821601-2
O-540-A1C5	-	-	S6LSC-21	BL-500516-2	S6LSC-21	BL-500516-2	5/8-24	10-821671-2
O-540-A1C5	1	-	6300	-	6300	-	5/8-24	10-821601-2
O-540-A1D	-	BL-400472	S6LSC-200	BL-600616-3	S6LSC-204	BL-600646-1	5/8-24	10-821671-2
O-540-A1D	1	-	6300	-	6300	-	5/8-24	10-821601-2
O-540-A1D5	-	BL-400472	S6LSC-200	BL-600616-3	S6LSC-204	BL-600646-1	5/8-24	10-821671-2
O-540-A1D5	1	-	6300	-	6300	-	5/8-24	10-821601-2
O-540-A2B	-	BL-400474	S6LSC-21	BL-500516-2	S6LSC-204	BL-600646-1	5/8-24	10-821671-2
O-540-A3D5	-	BL-400472	S6LSC-200	BL-600616-3	S6LSC-204	BL-600646-1	5/8-24	10-821671-2
O-540-A4A5	-	BL-400474	S6LSC-21	BL-500516-2	S6LSC-204	BL-600646-1	5/8-24	10-821671-2
O-540-A4A5	1	-	6300	-	6300	-	5/8-24	10-821601-2
O-540-A4B5	-	-	S6LSC-21	BL-500516-2	S6LSC-21	BL-500516-2	5/8-24	10-821671-2
O-540-A4C5	-	-	S6LSC-21	BL-500516-2	S6LSC-21	BL-500516-2	5/8-24	10-821671-2
O-540-A4D5	-	BL-400472	S6LSC-200	BL-600616-3	S6LSC-204	BL-600646-1	5/8-24	10-821671-2
O-540-A4D5	1	-	6300	-	6300	-	5/8-24	10-821601-2
O-540-A4E5	1	-	6300	-	6300	-	5/8-24	10-821601-2
O-540-B1A5	-	BL-400472	S6LSC-200	BL-600616-3	S6LSC-204	BL-600646-1	5/8-24	10-821671-2
O-540-B1A5	-	-	S6LSC-200	BL-600616-3	S6LSC-204	BL-600646-1	3/4-20	10-821674-2
O-540-B1A5	1	-	6300	-	6300	-	5/8-24	10-821601-2
O-540-B1A5	1	-	6300	-	6300	-	3/4-20	10-821604-2
O-540-B1B5	-	BL-400474	S6LSC-21	BL-500516-2	S6LSC-204	BL-600646-1	5/8-24	10-821671-2
O-540-B1B5	-	BL-400468	S6LSC-21	BL-500516-2	S6LSC-204	BL-600646-1	3/4-20	10-821674-2
O-540-B1D5	-	BL-400496	S6LN-1208	BL-349290-1	S6LN-1209	BL-349310-1	5/8-24	10-821681-40
O-540-B1D5	-	BL-400498	S6LN-1208	BL-349290-1	S6LN-1209	BL-349310-1	3/4-20	10-821684-40
O-540-B2A5	-	BL-400472	S6LSC-200	BL-600616-3	S6LSC-204	BL-600646-1	5/8-24	10-821671-2
O-540-B2A5	-	-	S6LSC-200	BL-600616-3	S6LSC-204	BL-600646-1	3/4-20	10-821674-2



**Table 4. Ignition Applications for Textron Lycoming Engine Models**

Engine Model	Notes	Ignition System Kit Part No.	Left Magneto		Right Magneto		Spark Plug	Harness Part No.
			Type No.	Part No.	Type No.	Part No.		
O-540-B2B5	-	BL-400474	S6LSC-21	BL-500516-2	S6LSC-204	BL-600646-1	5/8-24	10-821671-2
O-540-B2B5	-	BL-400468	S6LSC-21	BL-500516-2	S6LSC-204	BL-600646-1	3/4-20	10-821674-2
O-540-B2B5	43	BL-400472	S6LSC-200	BL-600616-3	S6LSC-204	BL-600646-1	5/8-24	10-821671-2
O-540-B2B5	43	-	S6LSC-200	BL-600616-3	S6LSC-204	BL-600646-1	3/4-20	10-821674-2
O-540-B2B5	1	-	6300	-	6300	-	5/8-24	10-821601-2
O-540-B2B5	1	-	6300	-	6300	-	3/4-20	10-821604-2
O-540-B2C5	-	BL-400499	S6LN-1227	BL-349370-4	S6LN-1209	BL-349310-1	5/8-24	10-821681-40
O-540-B2C5	-	BL-400444	S6LN-1227	BL-349370-4	S6LN-1209	BL-349310-1	3/4-20	10-821684-40
O-540-B2C5	43	BL-400496	S6LN-1208	BL-349290-1	S6LN-1209	BL-349310-1	5/8-24	10-821681-40
O-540-B2C5	43	-	S6LN-1208	BL-349290-1	S6LN-1209	BL-349310-1	3/4-20	10-821684-40
O-540-B2C5	1	-	6300	-	6300	-	5/8-24	10-821601-40
O-540-B2C5	1	-	6300	-	6300	-	3/4-20	10-821604-40
O-540-B4A5	-	BL-400472	S6LSC-200	BL-600616-3	S6LSC-204	BL-600646-1	5/8-24	10-821671-2
O-540-B4A5	-	-	S6LSC-200	BL-600616-3	S6LSC-204	BL-600646-1	3/4-20	10-821674-2
O-540-B4B5	-	BL-400474	S6LSC-21	BL-500516-2	S6LSC-204	BL-600646-1	5/8-24	10-821671-2
O-540-B4B5	-	BL-400468	S6LSC-21	BL-500516-2	S6LSC-204	BL-600646-1	3/4-20	10-821674-2
O-540-B4B5	1	-	6300	-	6300	-	5/8-24	10-821601-2
O-540-B4B5	1	-	6300	-	6300	-	3/4-20	10-821604-2
O-540-D1A5	-	BL-400472	S6LSC-200	BL-600616-3	S6LSC-204	BL-600646-1	5/8-24	10-821671-2
O-540-D1A5	-	-	S6LSC-200	BL-600616-3	S6LSC-204	BL-600646-1	3/4-20	10-821674-2
O-540-E4A5	-	BL-400472	S6LSC-200	BL-600616-3	S6LSC-204	BL-600646-1	5/8-24	10-821671-2
O-540-E4A5	-	-	S6LSC-200	BL-600616-3	S6LSC-204	BL-600646-1	3/4-20	10-821674-2
O-540-E4A5	1	-	6300	-	6300	-	5/8-24	10-821601-2
O-540-E4A5	1	-	6300	-	6300	-	3/4-20	10-821604-2
O-540-E4B5	-	BL-400474	S6LSC-21	BL-500516-2	S6LSC-204	BL-600646-1	5/8-24	10-821671-2
O-540-E4B5	-	BL-400468	S6LSC-21	BL-500516-2	S6LSC-204	BL-600646-1	3/4-20	10-821674-2
O-540-E4B5	43	BL-400472	S6LSC-200	BL-600616-3	S6LSC-204	BL-600646-1	5/8-24	10-821671-2
O-540-E4B5	43	-	S6LSC-200	BL-600616-3	S6LSC-204	BL-600646-1	3/4-20	10-821674-2
O-540-E4B5	1	-	6300	-	6300	-	5/8-24	10-821601-2
O-540-E4B5	1	-	6300	-	6300	-	3/4-20	10-821604-2



**Table 4. Ignition Applications for Textron Lycoming Engine Models**

Engine Model	Notes	Ignition System Kit Part No.	Left Magneto		Right Magneto		Spark Plug	Harness Part No.
			Type No.	Part No.	Type No.	Part No.		
O-540-E4C5	-	BL-400497	S6LN-1227	BL-349370-4	S6LN-1209	BL-349310-1	5/8-24	10-821681-38
O-540-E4C5	-	BL-400495	S6LN-1227	BL-349370-4	S6LN-1209	BL-349310-1	3/4-20	10-821684-38
O-540-E4C5	2	-	S6LN-1227	BL-349370-4	S6LN-1209	BL-349310-8	5/8-24	10-821681-38
O-540-E4C5	2	-	S6LN-1227	BL-349370-4	S6LN-1209	BL-349310-8	3/4-20	10-821684-38
O-540-E4C5	43	BL-400445	S6LN-1208	BL-349290-1	S6LN-1209	BL-349310-1	5/8-24	10-821681-38
O-540-E4C5	43	BL-400446	S6LN-1208	BL-349290-1	S6LN-1209	BL-349310-1	3/4-20	10-821684-38
O-540-E4C5	2, 43	-	S6LN-1208	BL-349290-1	S6LN-1209	BL-349310-8	5/8-24	10-821681-38
O-540-E4C5	2, 43	-	S6LN-1208	BL-349290-1	S6LN-1209	BL-349310-8	3/4-20	10-821684-38
O-540-E4C5	1	-	6300	-	6300	-	5/8-24	10-821601-38
O-540-E4C5	1	-	6300	-	6300	-	3/4-20	10-821604-38
O-540-F1A5	-	BL-400474	S6LSC-21	BL-500516-2	S6LSC-204	BL-600646-1	5/8-24	10-821671-2
O-540-F1B5	-	-	S6LSC-200	BL-600616-3	S6LSC-204T	BL-600646-201	5/8-24	10-821671-2
O-540-G1A5	-	BL-400497	S6LN-1227	BL-349370-4	S6LN-1209	BL-349310-1	5/8-24	10-821681-38
O-540-G1A5	-	BL-400495	S6LN-1227	BL-349370-4	S6LN-1209	BL-349310-1	3/4-20	10-821684-38
O-540-G1A5	43	BL-400445	S6LN-1208	BL-349290-1	S6LN-1209	BL-349310-1	5/8-24	10-821681-38
O-540-G1A5	43	BL-400446	S6LN-1208	BL-349290-1	S6LN-1209	BL-349310-1	3/4-20	10-821684-38
O-540-G1A5	1	-	6300	-	6300	-	5/8-24	10-821601-38
O-540-G1A5	1	-	6300	-	6300	-	3/4-20	10-821604-38
O-540-G2A5	-	BL-400497	S6LN-1227	BL-349370-4	S6LN-1209	BL-349310-1	5/8-24	10-821681-38
O-540-G2A5	-	BL-400495	S6LN-1227	BL-349370-4	S6LN-1209	BL-349310-1	3/4-20	10-821684-38
O-540-G2A5	43	BL-400445	S6LN-1208	BL-349290-1	S6LN-1209	BL-349310-1	5/8-24	10-821681-38
O-540-G2A5	43	BL-400446	S6LN-1208	BL-349290-1	S6LN-1209	BL-349310-1	3/4-20	10-821684-38
O-540-G2A5	1	-	6300	-	6300	-	5/8-24	10-821601-38
O-540-G2A5	1	-	6300	-	6300	-	3/4-20	10-821604-38
O-540-H1A5	-	-	S6LSC-21	BL-500516-2	S6LSC-21	BL-500516-2	5/8-24	10-821671-2
O-540-H1A5	-	-	S6LSC-21	BL-500516-2	S6LSC-21	BL-500516-2	3/4-20	10-821674-2
O-540-H1B5D	-	-	D-2000/3000	-	DUAL HARNESS		3/4-20	10-821624-6
O-540-H2A5	-	BL-400474	S6LSC-21	BL-500516-2	S6LSC-204	BL-600646-1	5/8-24	10-821671-2
O-540-H2A5	-	BL-400468	S6LSC-21	BL-500516-2	S6LSC-204	BL-600646-1	3/4-20	10-821674-2
O-540-H2A5	43	BL-400472	S6LSC-200	BL-600616-3	S6LSC-204	BL-600646-1	5/8-24	10-821671-2
O-540-H2A5	43	-	S6LSC-200	BL-600616-3	S6LSC-204	BL-600646-1	3/4-20	10-821674-2
O-540-H2A5	1	-	6300	-	6300	-	5/8-24	10-821601-2
O-540-H2A5	1	-	6300	-	6300	-	3/4-20	10-821604-2
O-540-H2B5D	-	-	D-2000/3000	-	DUAL HARNESS		3/4-20	10-821624-6
O-540-J1A5D	-	-	D-2000/3000	-	DUAL HARNESS		3/4-20	10-821614-6
O-540-J1B5D	-	-	D-2000/3000	-	DUAL HARNESS		3/4-20	10-821624-6



**Table 4. Ignition Applications for Textron Lycoming Engine Models**

Engine Model	Notes	Ignition System Kit Part No.	Left Magneto		Right Magneto		Spark Plug	Harness Part No.
			Type No.	Part No.	Type No.	Part No.		
O-540-J1C5D	-	-	D-2000/3000	-	DUAL HARNESS		3/4-20	10-821614-6
O-540-J2A5D	-	-	D-2000/3000	-	DUAL HARNESS		3/4-20	10-821614-36
O-540-J2B5D	-	-	D-2000/3000	-	DUAL HARNESS		3/4-20	10-821614-6
O-540-J2B5D	-	-	D-2000/3000	-	DUAL HARNESS		3/4-20	10-821614-36
O-540-J2C5D	-	-	D-2000/3000	-	DUAL HARNESS		3/4-20	10-821614-36
O-540-J3A5	1	-	6300	-	6300	-	5/8-24	10-821601-2
O-540-J3A5	1	-	6300	-	6300	-	3/4-20	10-821604-2
O-540-J3A5D	-	-	D-2000/3000	-	DUAL HARNESS		3/4-20	10-821614-6
O-540-J3A5D	-	-	D-2000/3000	-	DUAL HARNESS		3/4-20	10-821614-36
O-540-J3C5D	-	-	D-2000/3000	-	DUAL HARNESS		3/4-20	10-821614-6
O-540-L3C5D	-	-	D-2000/3000	-	DUAL HARNESS		3/4-20	10-821614-6
TIO-540-A1A	-	-	S6LN-1208	BL-349290-1	S6LN-1209	BL-349310-1	3/4-20	10-821685-12
TIO-540-A1B	-	-	S6LN-1208	BL-349290-1	S6LN-1209	BL-349310-1	3/4-20	10-821685-12
TIO-540-A1C	-	-	S6LN-1208	BL-349290-1	S6LN-1209	BL-349310-1	3/4-20	10-821685-12
TIO-540-A2A	-	-	S6LN-1208	BL-349290-1	S6LN-1209	BL-349310-1	3/4-20	10-821685-12
TIO-540-A2B	-	-	S6LN-1208	BL-349290-1	S6LN-1209	BL-349310-1	3/4-20	10-821685-12
TIO-540-A2C	-	-	S6LN-1208	BL-349290-1	S6LN-1209	BL-349310-1	3/4-20	10-821685-12
TIO-540-C1A	-	BL-400445	S6LN-1208	BL-349290-1	S6LN-1209	BL-349310-1	5/8-24	10-821681-38
TIO-540-C1A	-	BL-400446	S6LN-1208	BL-349290-1	S6LN-1209	BL-349310-1	3/4-20	10-821684-38
TIO-540-E1A	2	-	S6LN-1227	BL-349370-4	S6LN-1209	BL-349310-8	5/8-24	10-821681-40
TIO-540-E1A	2	-	S6LN-1227	BL-349370-4	S6LN-1209	BL-349310-8	3/4-20	10-821684-40
TIO-540-G1A	-	BL-400498	S6LN-1208	BL-349290-1	S6LN-1209	BL-349310-1	3/4-20	10-821684-40
TIO-540-H1A	2	-	S6LN-1227	BL-349370-4	S6LN-1209	BL-349310-8	5/8-24	10-821681-40
TIO-540-H1A	2	-	S6LN-1227	BL-349370-4	S6LN-1209	BL-349310-8	3/4-20	10-821684-40
TIO-540-J2B	-	-	S6LN-1208	BL-349290-1	S6LN-1209	BL-349310-1	3/4-20	10-821685-12
TIO-540-J2BD	-	-	D-2000/3000	-	DUAL HARNESS		3/4-20	10-821625-4
TIO-540-K1AD	-	-	D-2000/3000	-	DUAL HARNESS		3/4-20	10-821624-6
TIO-540-N2BD	-	-	D-2000/3000	-	DUAL HARNESS		3/4-20	10-821625-4
TIO-540-R2AD	-	-	D-2000/3000	-	DUAL HARNESS		3/4-20	10-821625-4



**Table 4. Ignition Applications for Textron Lycoming Engine Models**

Engine Model	Notes	Ignition System Kit Part No.	Left Magneto		Right Magneto		Spark Plug	Harness Part No.
			Type No.	Part No.	Type No.	Part No.		
TIO-540-S1AD	-	-	D-2000/3000	-	DUAL HARNESS		3/4-20	10-821615-20
TIO-540-U2A	12	-	S6LN-1258	BL-349490-2	S6LN-1259	BL-349510-2	3/4-20	10-821695-40
TIO-540-U2A	1	-	6300	-	6300	-	3/4-20	10-821604-2
TIO-540-V2AD	-	-	D-2000/3000	-	DUAL HARNESS		3/4-20	10-821625-34
TIO-540-W2A	-	-	S6LN-1208	BL-349290-1	S6LN-1209	BL-349310-1	3/4-20	10-821684-40
TIO-540-W2A	1	-	6300	-	6300	-	3/4-20	10-821604-2
TIO-540-AA1AD	-	-	D-2000/3000	-	DUAL HARNESS		3/4-20	10-821624-6
TIO-540-AB1AD	-	-	D-2000/3000	-	DUAL HARNESS		3/4-20	10-821614-6
TIO-540-AE2A	1	BL-400391	S6LSC-200P	BL-600616-101	S6LSC-204P	BL-600646-101	3/4-20	10-821674-2
TIO-540-AE2A	1	-	6300	-	6300	-	3/4-20	10-821604-2
TIO-540-AF1A	1	-	6300	-	6300	-	3/4-20	10-821604-2
TIO-540-AF1B	1	-	6300	-	6300	-	3/4-20	10-821604-2
TIO-540-AG1A	1	-	6300	-	6300	-	3/4-20	10-821604-2
TIO-540-AH1A	1	-	6300	-	6300	-	3/4-20	10-821604-2
TIO-540-AJ1A	1	-	6300	-	6300	-	3/4-20	10-821604-2
TIO-540-AK1A	1	-	6300	-	6300	-	3/4-20	10-821604-2
TIVO-540-A2A	-	-	S6RSC-200	BL-600616-7	S6LSC-204	BL-600646-2	3/4-20	10-821675-18
VO-540-A1A	-	-	S6RSC-21	BL-500516-5	S6LSC-204	BL-600646-2	3/4-20	10-821675-18
VO-540-A2A	-	-	S6RSC-21	BL-500516-5	S6LSC-204	BL-600646-2	3/4-20	10-821675-18
VO-540-B1A	-	-	S6RSC-21	BL-500516-5	S6LSC-204	BL-600646-2	3/4-20	10-821675-18
VO-540-B1B	-	-	S6RSC-200	BL-600616-7	S6LSC-204	BL-600646-2	3/4-20	10-821675-18
VO-540-B1B3	-	-	S6RSC-200	BL-600616-7	S6LSC-204	BL-600646-2	3/4-20	10-821675-18
VO-540-B1C	-	-	S6RSC-200	BL-600616-7	S6LSC-204	BL-600646-2	3/4-20	10-821675-18
VO-540-B1D	-	-	S6RSC-200	BL-600616-7	S6LSC-204	BL-600646-2	3/4-20	10-821675-18
VO-540-B1E	-	-	S6RSC-21	BL-500516-5	S6LSC-204	BL-600646-2	3/4-20	10-821675-18
VO-540-B1F	-	-	S6RSC-200	BL-600616-7	S6LSC-204	BL-600646-2	3/4-20	10-821675-18
VO-540-B1H3	-	-	S6RN-1208	BL-349290-3	S6RN-1209	BL-349310-10	3/4-20	10-821685-18



**Table 4. Ignition Applications for Textron Lycoming Engine Models**

Engine Model	Notes	Ignition System Kit Part No.	Left Magneto		Right Magneto		Spark Plug	Harness Part No.
			Type No.	Part No.	Type No.	Part No.		
VO-540-B2A	-	-	S6RSC-21	BL-500516-5	S6LSC-204	BL-600646-2	3/4-20	10-821675-18
VO-540-B2C	-	-	S6RSC-200	BL-600616-4	S6LSC-204	BL-600646-2	3/4-20	10-821675-18
VO-540-B2D	-	-	S6RSC-200	BL-600616-7	S6LSC-204	BL-600646-2	3/4-20	10-821675-18
VO-540-B2E	-	-	S6RSC-21	BL-500516-5	S6LSC-204	BL-600646-2	3/4-20	10-821675-18
VO-540-B2G	-	-	S6RN-1208	BL-349290-3	S6LN-1209	BL-349310-10	3/4-20	10-821675-18
VO-540-C1A	-	-	S6RSC-200	BL-600616-7	S6LSC-204	BL-600646-2	3/4-20	10-821675-18
VO-540-C1B	-	-	S6RSC-21	BL-500516-5	S6LSC-204	BL-600646-2	3/4-20	10-821675-18
VO-540-C1C3	-	-	S6RSC-200	BL-600616-7	S6LSC-204	BL-600646-2	3/4-20	10-821675-18
VO-540-C2A	-	-	S6RSC-200	BL-600616-7	S6LSC-204	BL-600646-2	3/4-20	10-821675-18
VO-540-C2B	-	-	S6RSC-21	BL-500516-5	S6LSC-204	BL-600646-2	3/4-20	10-821675-18
VO-540-C2C	-	-	S6RN-1208	BL-349290-4	S6LN-1209	BL-349310-10	3/4-20	10-821675-18
TIGO-541-B1A	-	-	S6LN-1208	BL-349290-2	S6RN-1209	BL-349310-4	3/4-20	10-821685-14
TIGO-541-D1A	-	-	S6LN-1208	BL-349290-2	S6RN-1209	BL-349310-4	3/4-20	10-821685-14
TIGO-541-D1B	-	-	S6LN-1208	BL-349290-2	S6RN-1209	BL-349310-4	3/4-20	10-821685-14
TIGO-541-E1A	-	-	S6LN-1208	BL-349290-2	S6RN-1209	BL-349310-4	3/4-20	10-821685-14
TIGO-541-E1A	12	BL-349610-1	S6RN-1258	BL-349490-1	S6RN-1259	BL-349510-1	3/4-20	10-821695-14
TIO-541-A1A	-	-	S6LN-1208	BL-349290-2	S6RN-1209	BL-349310-4	3/4-20	10-821685-8
TIO-541-E1A4	-	-	S6LN-1208	BL-349290-2	S6RN-1209	BL-349310-4	3/4-20	10-821685-8
TIO-541-E1B4	-	-	S6LN-1208	BL-349290-2	S6RN-1209	BL-349310-4	3/4-20	10-821685-8
TIO-541-E1C4	-	-	S6LN-1208	BL-349290-2	S6RN-1209	BL-349310-4	3/4-20	10-821685-8
TIO-541-E1D4	-	-	S6LN-1208	BL-349290-2	S6RN-1209	BL-349310-4	3/4-20	10-821685-8
IO-720-A1A	10	BL-400494	S8LN-1208	BL-349300-4	S8LN-1209	BL-349320-4	3/4-20	10-821885-4
IO-720-A1B	-	BL-400494	S8LN-1208	BL-349300-4	S8LN-1209	BL-349320-4	3/4-20	10-821885-4
IO-720-A1BD	-	-	D8LN-3200	10-682620-11	DUAL HARNESS		3/4-20	10-821825-2
IO-720-B1A	10	BL-400494	S8LN-1208	BL-349300-4	S8LN-1209	BL-349320-4	3/4-20	10-821885-4
IO-720-B1B	-	BL-400494	S8LN-1208	BL-349300-4	S8LN-1209	BL-349320-4	3/4-20	10-821885-4
IO-720-B1B	12	BL-349620-1	S8LN-1258	BL-349500-1	S8LN-1259	BL-349520-1	3/4-20	10-821895-4



**Table 4. Ignition Applications for Textron Lycoming Engine Models**

Engine Model	Notes	Ignition System Kit Part No.	Left Magneto		Right Magneto		Spark Plug	Harness Part No.
			Type No.	Part No.	Type No.	Part No.		
IO-720-B1BD	-	-	D8LN-3200	10-682620-11	DUAL HARNESS		3/4-20	10-821825-2
IO-720-C1B	-	BL-400494	S8LN-1208	BL-349300-4	S8LN-1209	BL-349320-4	3/4-20	10-821885-4
IO-720-C1B	2	-	S8LN-1208	BL-349300-4	S8LN-1209	BL-349320-5	3/4-20	10-821885-4
IO-720-C1BD	-	-	D8LN-3200	10-682620-11	DUAL HARNESS		3/4-20	10-821825-2
IO-720-D1B	-	-	S8LN-1208	BL-349300-4	S8LN-1209	BL-349320-4	3/4-20	10-821885-6
IO-720-D1BD	-	-	D8LN-3200	10-682620-11	DUAL HARNESS		3/4-20	10-821825-2
IO-720-D1C	-	-	S8LN-1208	BL-349300-4	S8LN-1209	BL-349320-4	3/4-20	10-821885-6
IO-720-D1CD	-	-	D8LN-3200	10-682620-11	DUAL HARNESS		3/4-20	10-821825-2





**Table 5. Ignition Applications for Franklin Engine Models**

Engine Model	Notes	Ignition System Kit Part No.	Left Magneto		Right Magneto		Spark Plug	Harness Part No.
			Type No.	Part No.	Type No.	Part No.		
6A4-150-B3, B31, B4	-	-	S6RSC-21	BL-500516-7	S6RSC-21	BL-500516-7	5/8-24	10-821671-92
6A4-165-B3, B4, B6	-	-	S6RSC-21	BL-500516-7	S6RSC-21	BL-500516-7	5/8-24	10-821671-92
6V4-178-B3, B33	9	-	S6RSC-21	BL-500516-9	S6RSC-21	10-500516-9	-	-
6V4-178-B32	-	-	S6RSC-21	BL-500516-9	S6RSC-21	10-500516-9	5/8-24	10-821671-92
6V4-200-C32,C33	-	-	S6RSC-21	BL-500516-9	S6RSC-21	BL-500516-9	5/8-24	10-821671-92
4A-235-B, B3	-	-	S6RSC-21	BL-500514-5	S6RSC-21	BL-500514-5	3/4-20	10-821474-92
6A-335- A, B, B1, B1A, D	-	-	S6RSC-21	BL-500516-7	S6RSC-21	BL-500516-7	5/8-24	10-821671-92
6A-335- A, B, B1, B1A, D	-	-	S6RSC-21	BL-500516-7	S6RSC-21	BL-500516-7	3/4-20	10-821674-92
6AS-335-A, B	-	-	S6RSC-21	BL-500516-7	S6RSC-21	BL-500516-7	3/4-20	10-821674-92
6V-335-A, A1A, A1B, B(1)	-	-	S6RSC-21	BL-500516-9	S6RSC-21	BL-500516-9	5/8-24	10-821671-92
6V-335-A, A1A, A1B, B(1)	-	-	S6RSC-21	BL-500516-9	S6RSC-21	BL-500516-9	3/4-20	10-821674-92
6VS-335-A, A1, B, B1	-	-	S6RSC-21	BL-500516-9	S6RSC-21	BL-500516-9	5/8-24	10-821671-92
6VS-335-A, A1, B, B1	-	-	S6RSC-21	BL-500516-9	S6RSC-21	BL-500516-9	3/4-20	10-821674-92
6A-350-C1, C1A, C2, C2A, D1, D1A, D1B	-	-	S6RSC-21	BL-500516-7	S6RSC-21	BL-500516-7	3/4-20	10-821674-92
6AS-350-A, A1	-	-	S6RSC-21	BL-500516-7	S6RSC-21	BL-500516-7	3/4-20	10-821674-92
6V-350-A, B	-	-	S6RSC-21	BL-500516-9	S6RSC-21	BL-500516-9	3/4-20	10-821674-92

**Table 6. Ignition Applications for Grob Engine Models**

Engine Model	Notes	Ignition System Kit Part No.	Left Magneto		Right Magneto		Spark Plug	Harness Part No.
			Type No.	Part No.	Type No.	Part No.		
G-2500	-	-	S4RSC-21	BL-500514-3	SINGLE MAGNETO		5/8-24	10-820471-91



*Intentionally Left Blank*





**Continental Motors**  
**[www.continentalmotors.aero](http://www.continentalmotors.aero)**