

# Illustrated Parts List

# Brake Assembly – 12” External Dual Cylinder, Four Piston

30-210C

## Organic Lining

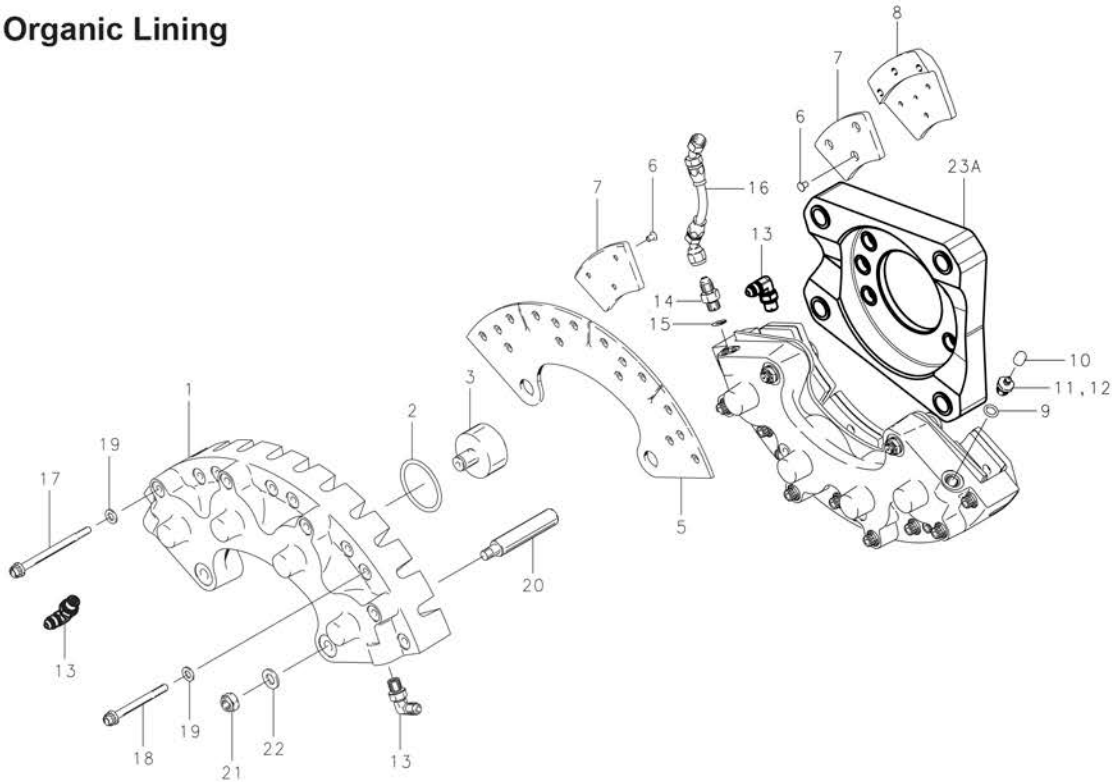


FIG.	PART NO.	DESCRIPTION	30-210C
	091-19203	Cylinder Assembly	2
1	061-14501 (1)	Cylinder	2
2	101-05200 (1)	O-Ring (MS28775-224)	8
3	062-09301 (1)	Piston	8
	073-09201 (1)	Pressure Plate Assembly	2
5	063-05801	Pressure Plate	2
6	105-06700	Rivet	24
7	066-13100	Lining	8
	074-07200 (1)	Back Plate Assembly	8
8	064-03200	Back Plate	8
6	105-06700	Rivet	24
7	066-13100	Lining	8
9	101-00700	O-Ring (MS28775-012)	1
10	183-00100	Bleeder Cap	1
11	079-00300	Bleeder Screw	1
12	081-00200	Bleeder Seat	1
13	104-03100	Fitting	3
16	207-01600	Hose Assembly	1
17	103-16700 (1)	Bolt (MS21250H04036)	8
18	103-16800 (1)	Bolt (MS21250H04024)	16
19	095-14300 (1)	Washer (MS20002-C4)	24
20	069-02301 (1)	Anchor Bolt	4
21	094-12900 (1)	Nut (MS21042-6)	4
22	095-10600 (1)	Washer (AN960-616)	4
23A	075-18800	Torque Plate Assembly	1

**NOTES:**

(1) Component of Cylinder Assembly for 30-210, 30-210A and 30-210C.